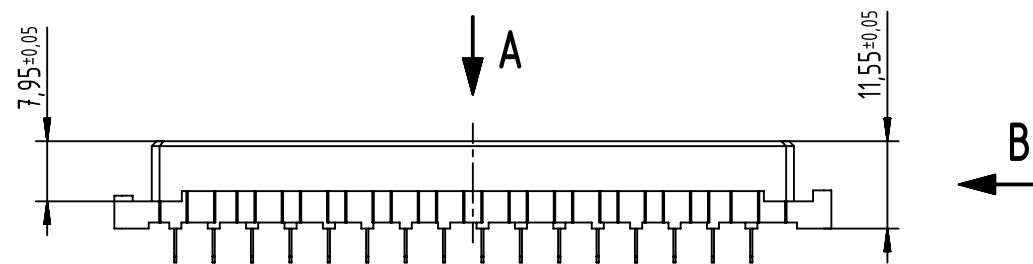


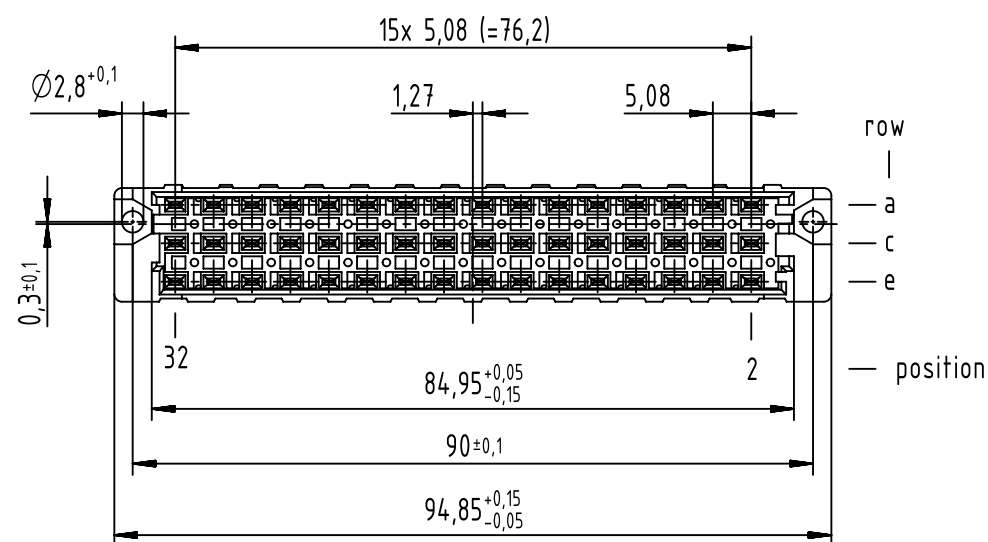
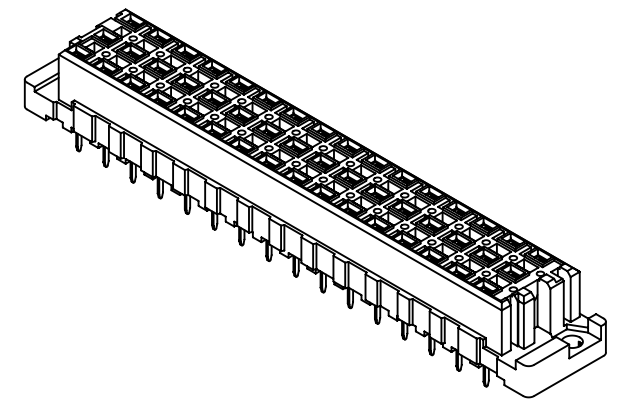
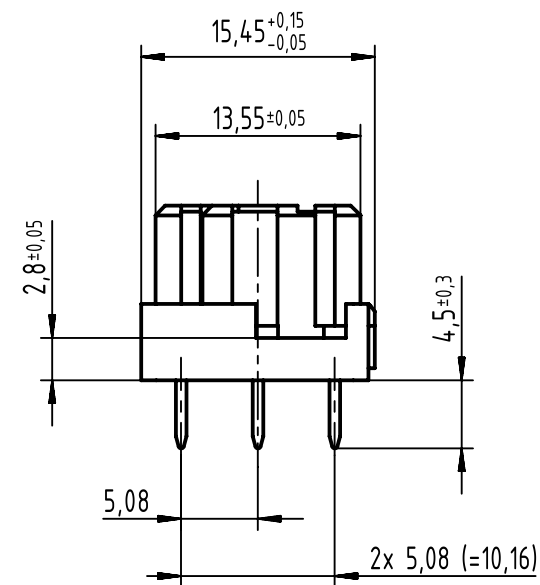
48 solder contacts

⊗ = position with contact

□ = position without contact



**B (2:1)**



1 further information see: DS 09042100001

09 05 248 6831	2
09 05 248 2831	1
part no.	performance level 1

	All Dimensions in mm Original Size DIN A3		Scale 1:1	Free size tol. IEC 60603-2		Ref.
	All rights reserved Department EL PD		Created by LEHNERT	Inspected by DAHMS	Standardisation HOFFMANN	Date 2018-06-27
HARTING Electronics GmbH D-32339 Espelkamp		Title DIN Power type E female solder 4.5 48-pole			Doc-Key / ECM-Nr. 100217574/UGD/007/D 500000131996	
		Type TB	Number 0905248X831		Rev. D	Page 1/1