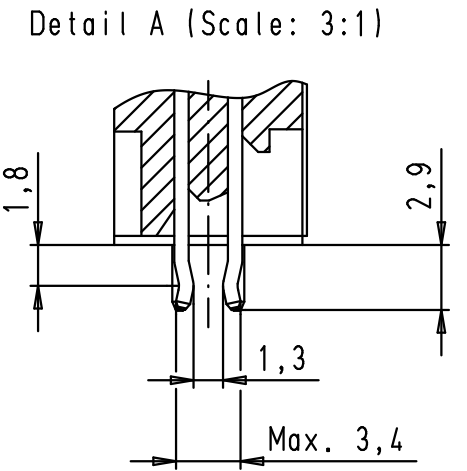
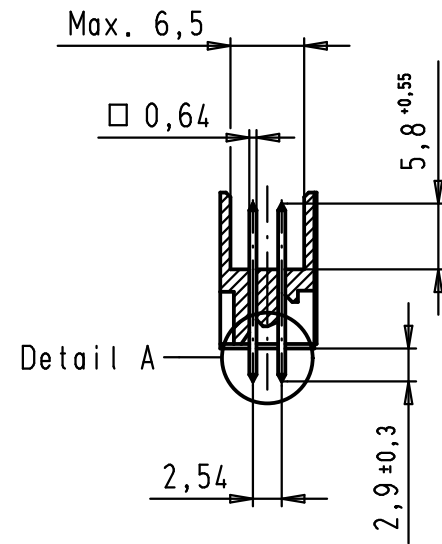
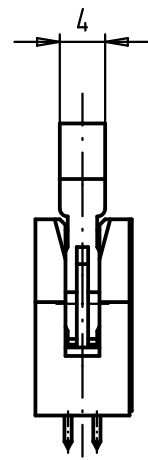
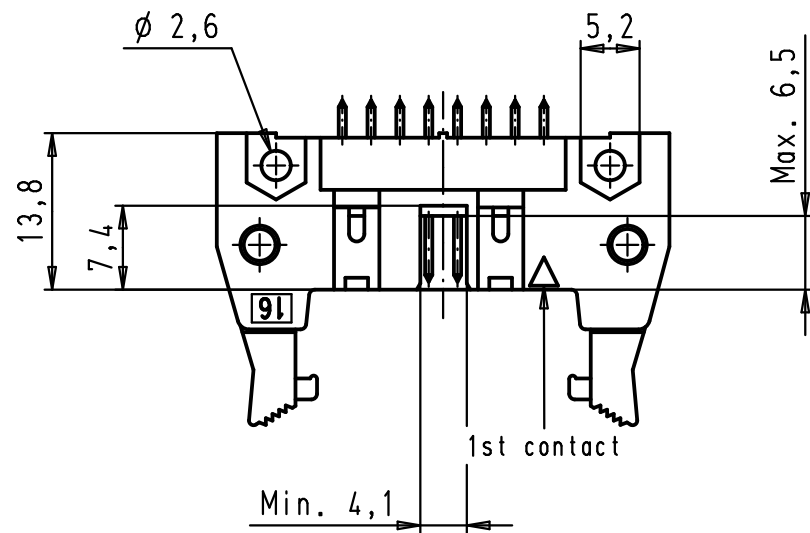
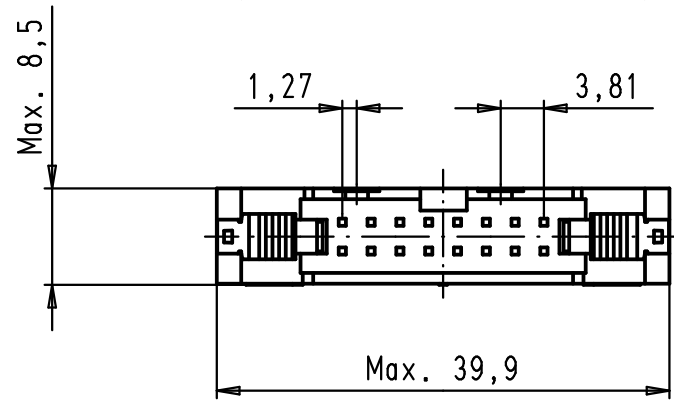
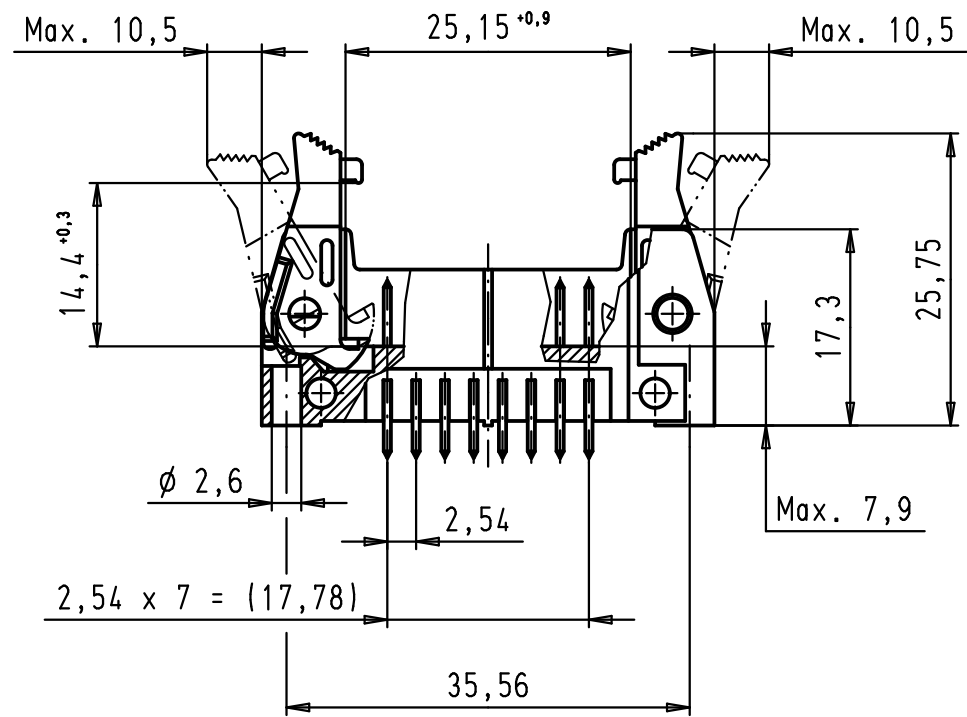
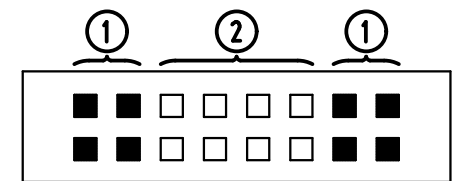
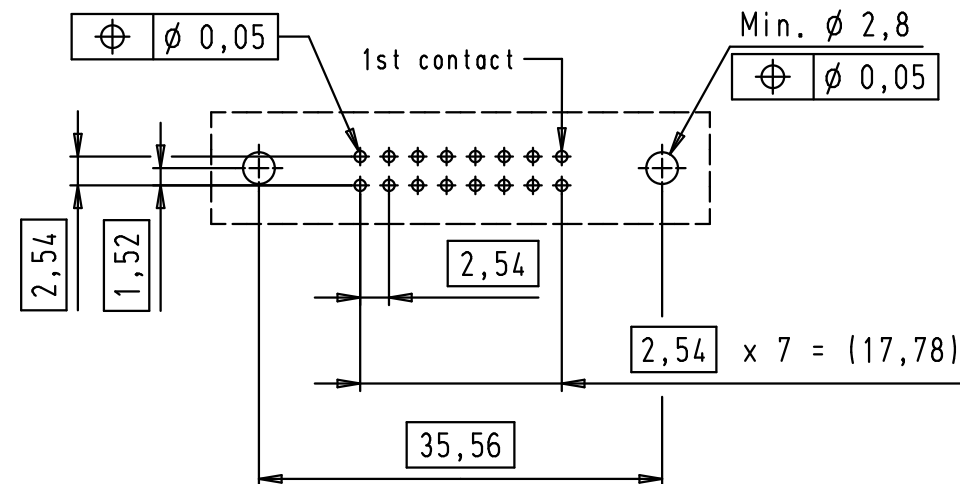


Alle Rechte vorbehalten/ All rights reserved



PCB layout, component side



□ Straight contact  
■ Kinked contact

① Kinked pins  
PCB thickness from 1,50 to 1,94 mm after Cu + Sn plating with non remelted plated through holes  $\phi$  0,85 to  $\phi$  1,05 mm  
Maximum insertion force = 125 N  
Minimum retention force = 3 N

② Non kinked pins  
Solder pins for PCB connections  $\phi 1 \pm 0,1$  according to IEC 60 603-13

09 18 516 7004	3
09 18 516 6004	2
09 18 516 5004	0,76 $\mu$ m Au
Part number	Performance level

			Det.	Name	 All Dim. in mm Orig. Size DIN A 3	SEK 18 Male Connector Standard 16 poles Straight kinked pins Long locking levers	Maßstab/ Scale 1,5:1
		Detail.	22/01/08	LP			
		Insp.					
		Stand.					
34799	22/01/08	LP	HARTING EURL F-95972 Paris			<b>TB 09 18 516 X00X</b>	Blatt/ Page 1 / 2
Mod.	Det.	Name					