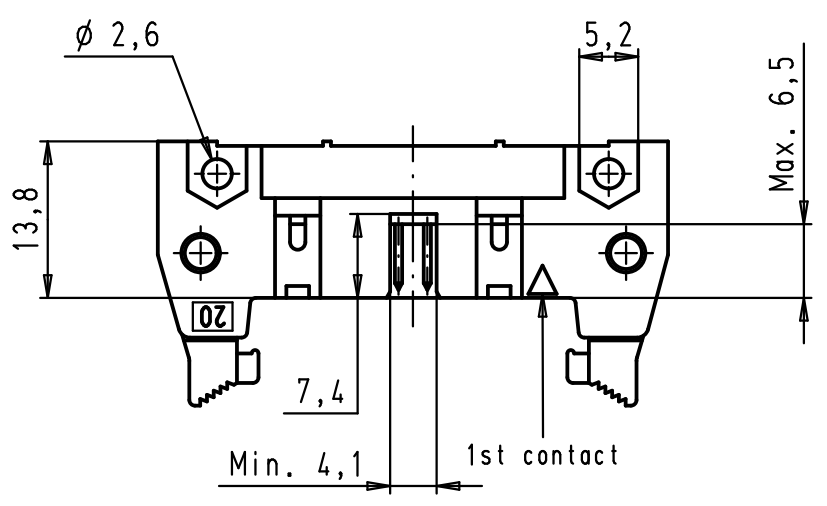
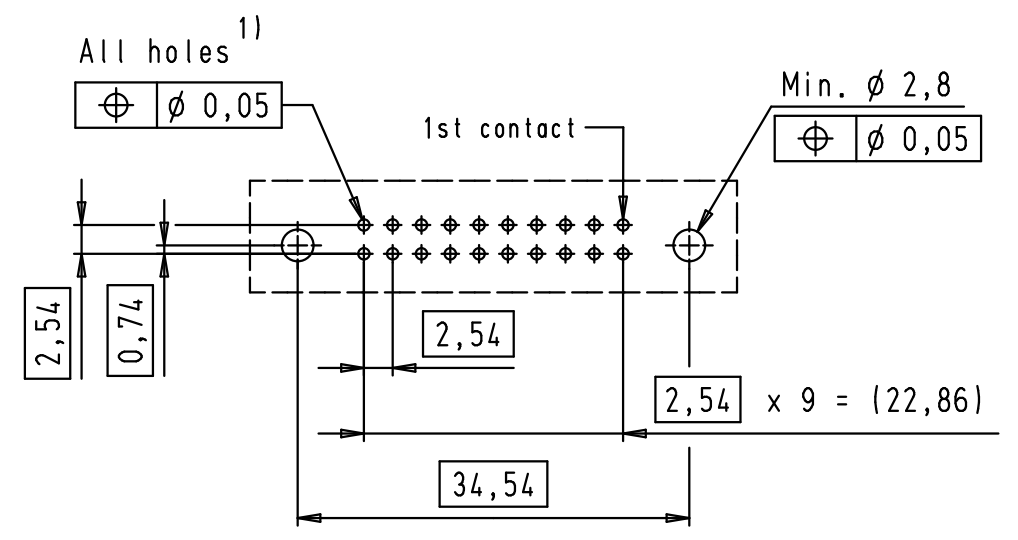


PCB layout, component side



1) Solder pins for PCB connections
 $\phi 1 \pm 0,1$ according to IEC 60 326-3

Alle Rechte vorbehalten/ All rights reserved

09 18 520 7911	3	4,5
09 18 520 6911	2	4,5
09 18 520 5911	0,76 $\mu\text{m Au}$	4,5
09 18 520 7913	3	2,9
09 18 520 6913	2	2,9
09 18 520 5913	0,76 $\mu\text{m Au}$	2,9
Part number	Performance level	a

				Det.	Name		SEK 18 Male Connector Standard 20 poles Angled pins Short locking levers	Maßstab/ Scale 1,5:1
34890	01/02/08	PK	Detail.	01/12/99	JB			
29753	11/03/02	JB	Insp.			All Dim. in mm Orig. Size DIN A 3	TB 09 18 520 X91X	Blatt/ Page 2 / 2
29739	03/12/01	JB	Stand.					
27931	15/06/00	JB					Sub.	
26554	01/12/99	JB						
Mod.	Det.	Name	HARTING EURL F-95972 Paris					