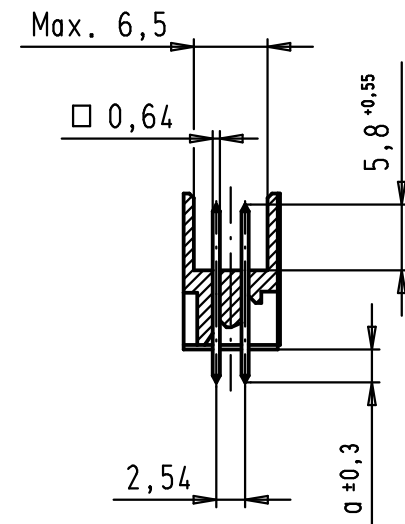
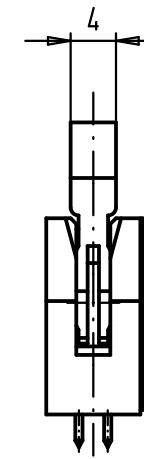
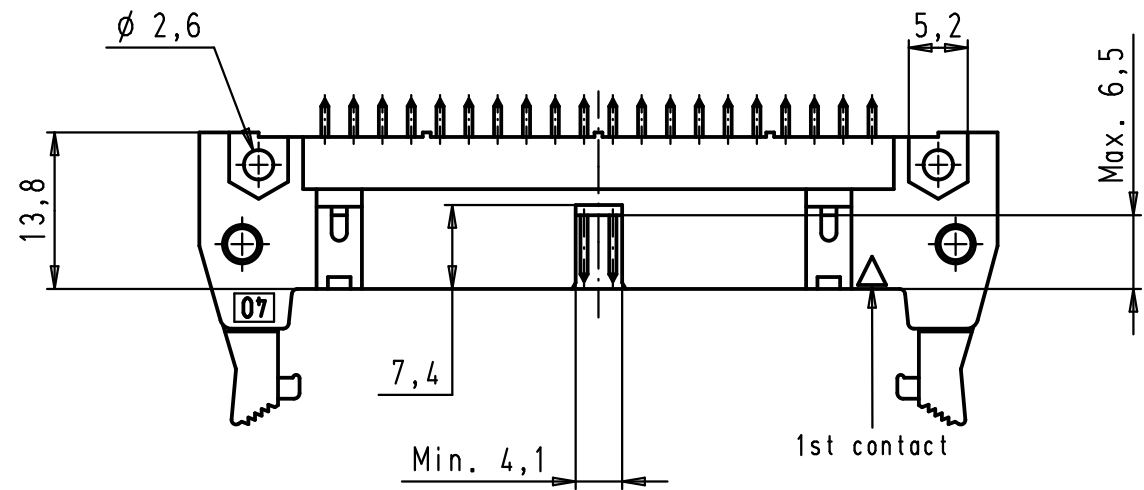
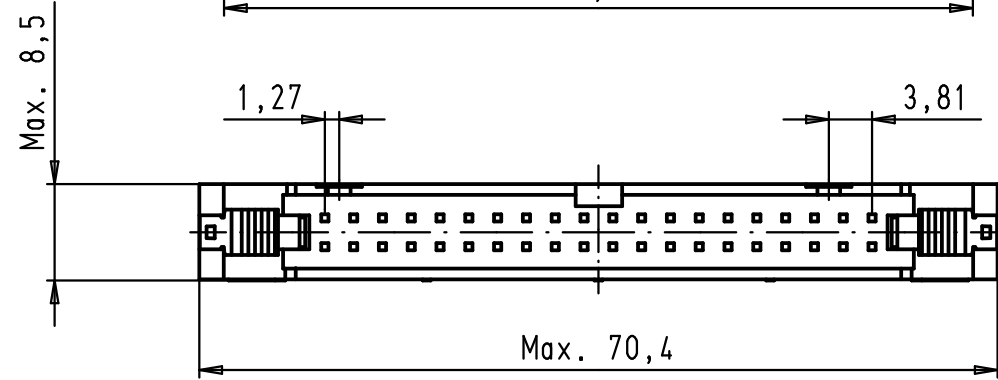
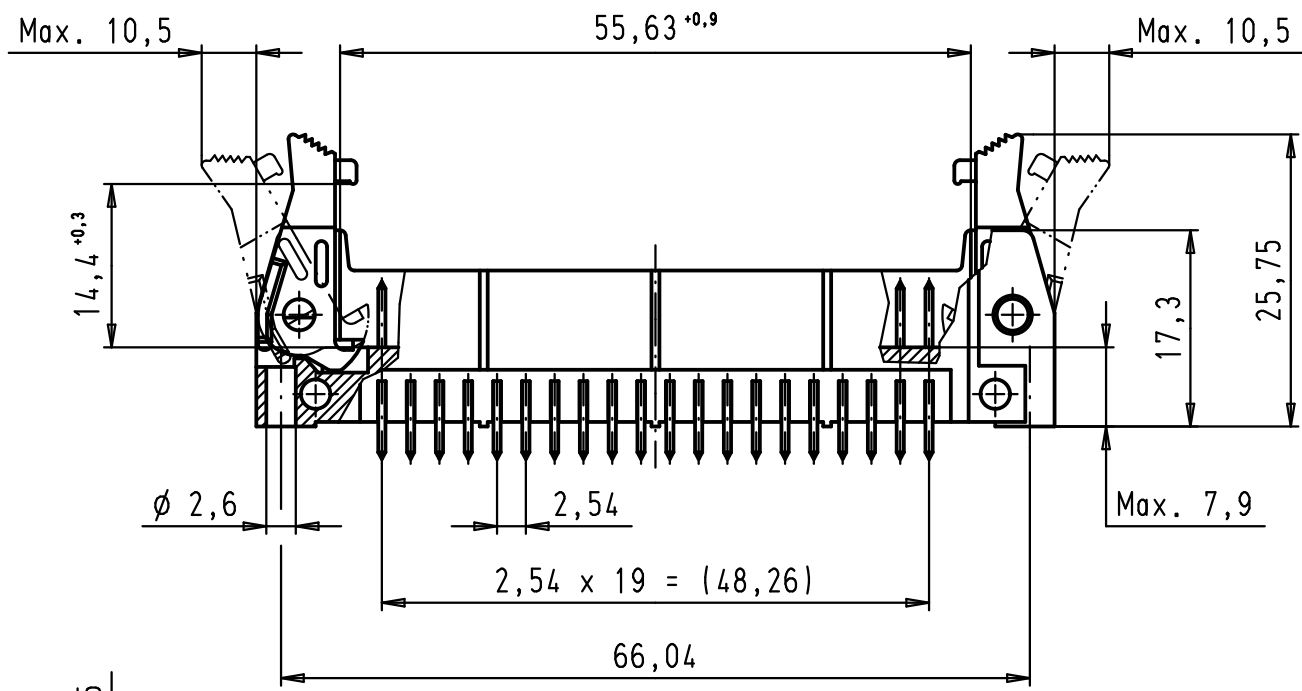
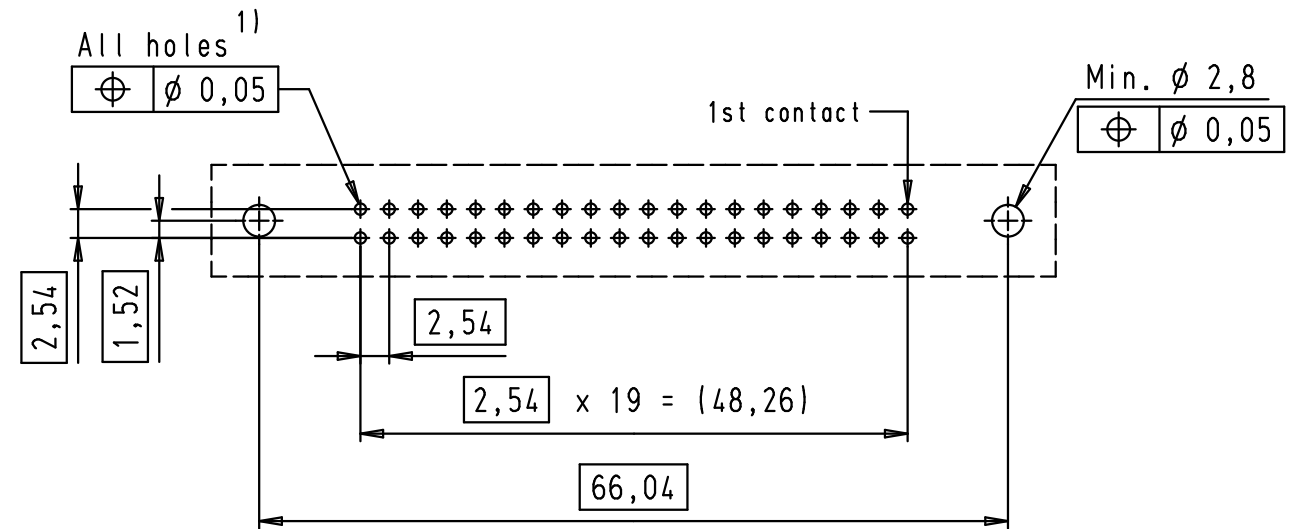


Alle Rechte vorbehalten/ All rights reserved

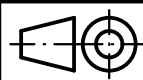



PCB layout, component side



1) Solder pins for PCB connections  
 $\phi 1 \pm 0,1$  according to IEC 60 326-3

09 18 540 7904 601	3	2,9	Black	PA 6.6	600
09 18 540 6904 601	2	2,9	Black	PA 6.6	600
09 18 540 5904 601	0,76 $\mu\text{m Au}$	2,9	Black	PA 6.6	600
09 18 540 7904 001	3	2,9	Black	PBT	200
09 18 540 6904 001	2	2,9	Black	PBT	200
09 18 540 5904 001	0,76 $\mu\text{m Au}$	2,9	Black	PBT	200
09 18 540 7902	3	4,5	Standard	PBT	200
09 18 540 6902	2	4,5	Standard	PBT	200
09 18 540 5902	0,76 $\mu\text{m Au}$	4,5	Standard	PBT	200
09 18 540 7904	3	2,9	Standard	PBT	200
09 18 540 6904	2	2,9	Standard	PBT	200
09 18 540 5904	0,76 $\mu\text{m Au}$	2,9	Standard	PBT	200
Part number	Performance level	a	Insulator color	Plastic material	CTI (V)

EC00995	19/10/09	PK	Detail.	01/12/99	JB	 All Dim. in mm Orig. Size DIN A 3	SEK 18 Male Connector Standard 40 poles Straight solder pins Long locking levers	Maßstab/ Scale 1,5:1
34900	28/01/08	LP	Insp.					
33451	30/03/06	JMDR	Stand.					
27931	15/06/00	JB	HARTING EURL F-95972 Paris				<b>TB 09 18 540 X90X</b>	Blatt/ Page 1 / 2
26554	01/12/99	JB						