

5

4

3

2

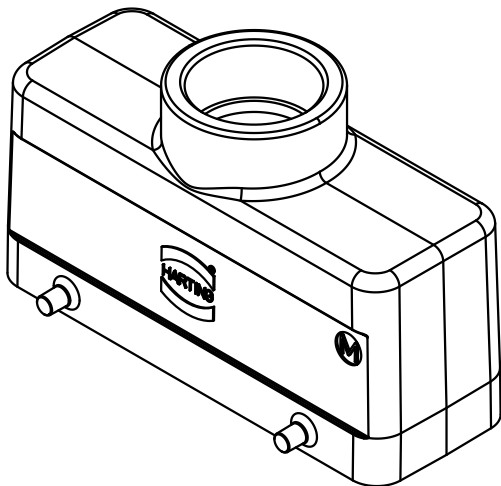
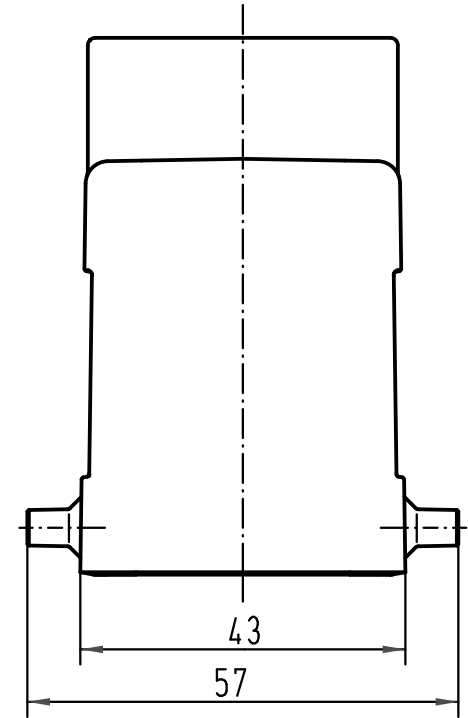
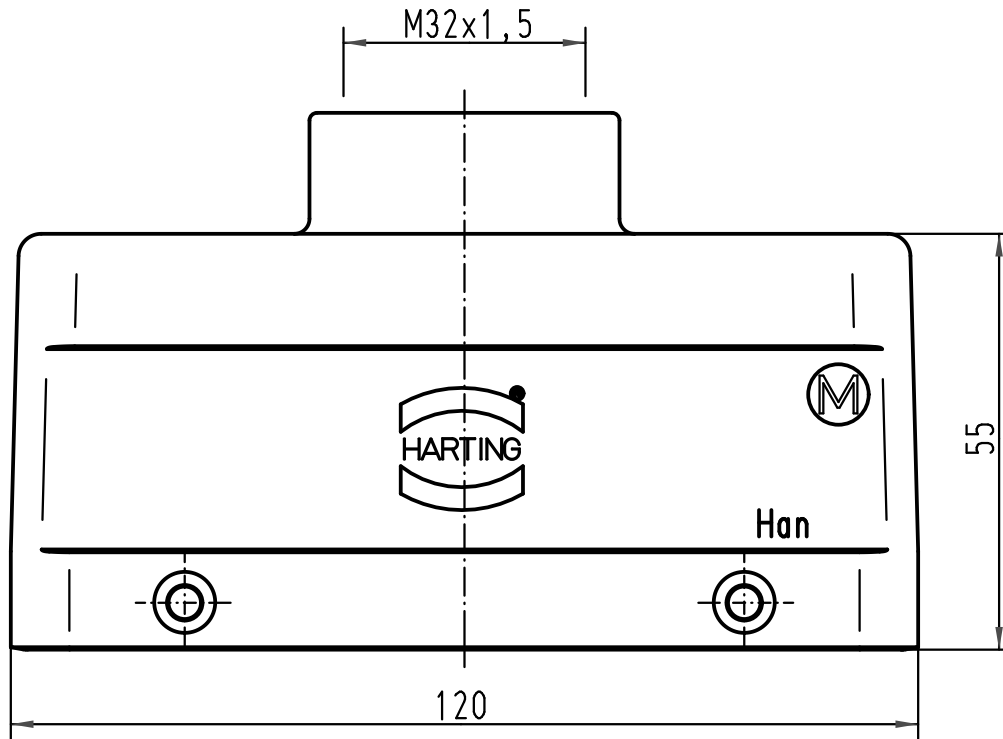
1

D

C

B

A



| | | | | | | | | | |
|---|----------|------|--------------------------------|----------|------|--|---|--|--|
| All Dimensions in mm Original Size DIN A 4 | | | Techn. Character. | | | Nicht tolerierte Maße/Free size tolerances | | | |
| | | | | Dat. | Name | Maßstab/Scale 1:1 | Han 24B-gg-M32 Tüllengehäuse/ hood | | |
| | | | Detail. | 16.11.00 | Gü | | | | |
| | | | Insp. | | KR | | | | |
| | | | Stand. | | | | | | |
| 413260 | 09.10.07 | Ste | HARTING Electric GmbH & Co. KG | | | | TB 19 30 024 1422 | | |
| 28836 | | | D-32339 Espelkamp | | | | | | |
| Mod. | Dat. | Name | Sub. | | | | | | |
| | | | | | | | Blatt/page | | |