

5

4

3

2

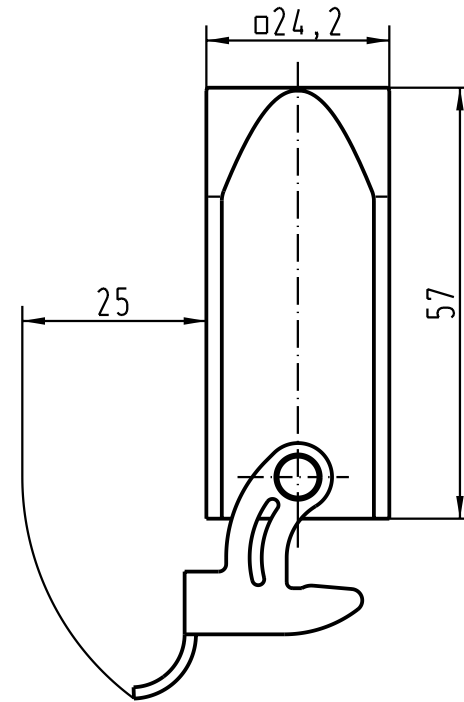
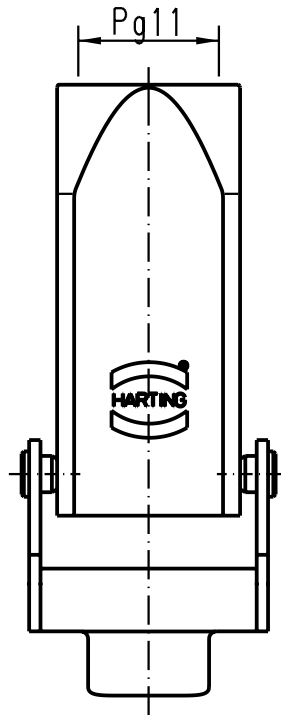
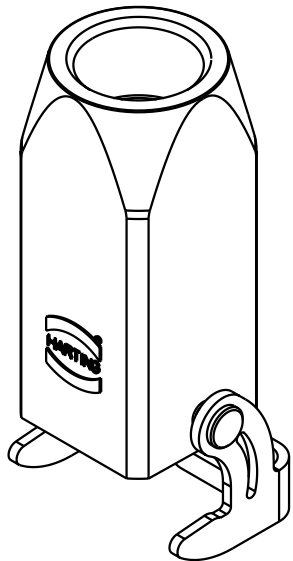
1



D

C

B

A



|   |          |      |                                |          |      |   |  |  |
|---|----------|------|--------------------------------|----------|------|---|--|--|
|  All Dimensions in mm<br>Original Size DIN A 4 |          |      | Techn. Character.              |          |      | Nicht tolerierte Masse/ Free size tolerances  |  |  |
|   |          |      |                                | Dat.     | Name | Massstab/Scale  |  | Han 3EMV-kg-QB-Pg11<br>Kupplungsgehäuse/<br>hoods cable to cable |
|   |          |      | Detail.                        | 11.08.98 | SPER | 1:1   |  |  |
|   |          |      | Insp.                          |          | HERB |   |  |  |
|   |          |      | Stand.                         |          |      |   |  |  |
| 30197   | 13.11.01 | DY   | HARTING Electric GmbH & Co. KG |          |      |  TB 09 62 003 1750 |  | Blatt/ page  |
| 26654   | 08.11.99 | KR   | D-32339 Espelkamp              |          |      |   |  |  |
| Mod.  | Dat.     | Name |                                |          |      | Sub.  |  |  |