

5

4

3

2

1

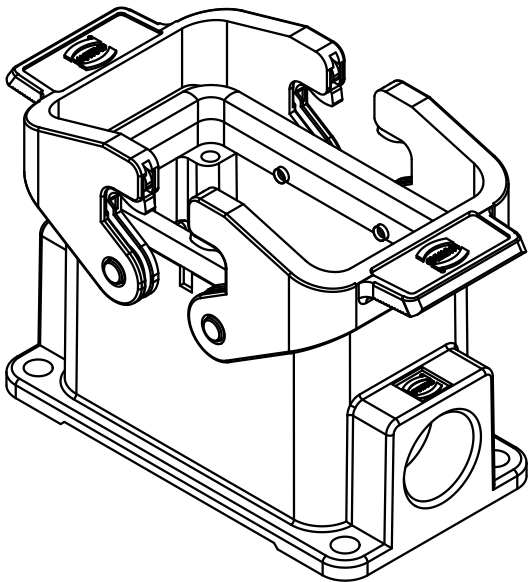
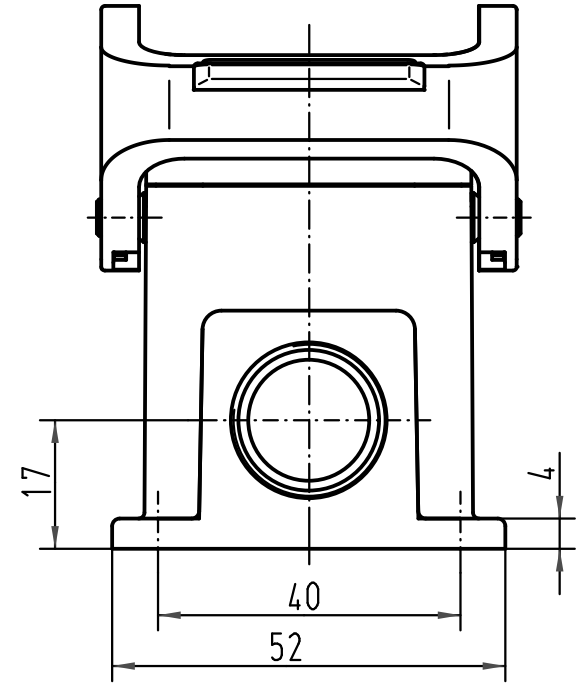
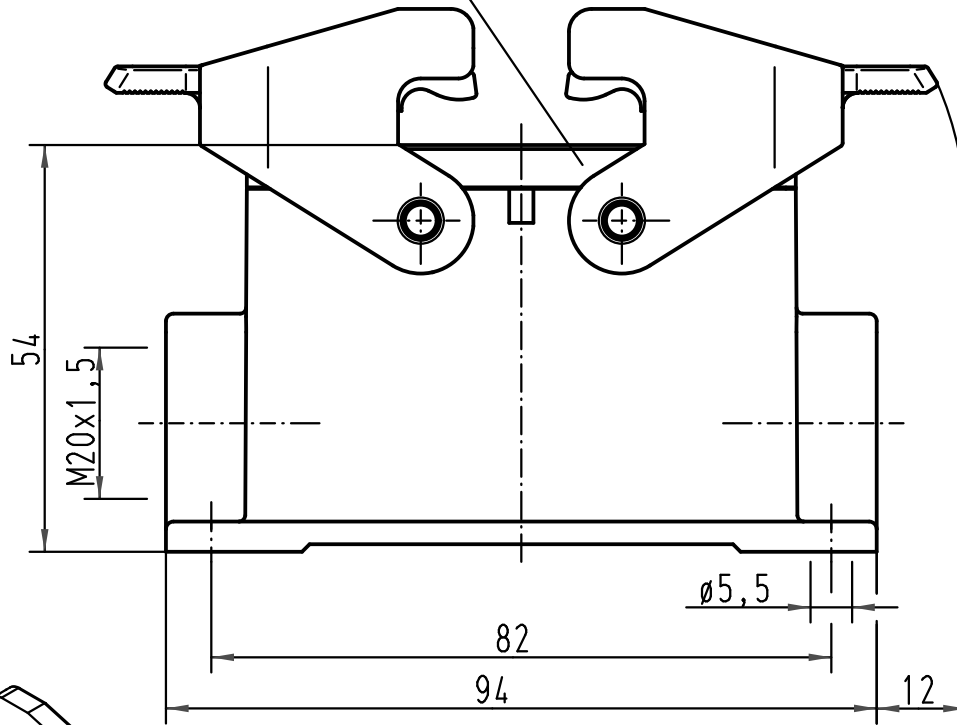
D

C

B

A

Dichtung/
seal



| | | | | | | | | | | |
|---|----------|------|---|----------|------|---|---|--|--|-------------|
| All Dimensions in mm Original Size DIN A 4 | | | Techn. Character. | | | Nicht tolerierte Maß/Free size tolerances | | | | |
| | | | | Dat. | Name | Maßstab/Scale 1:1 | Han 10B-asg1-QB-M20 Sockelgehäuse 1 Kabelausgang / housing surface mounting 1 side-entry | | | |
| | | | Detail. | 16.11.00 | Gü | | | | | |
| | | | Insp. | | KR | | | | | |
| | | | Stand. | | | | | | | |
| 413260 | 09.10.07 | Ste | HARTING Electric GmbH & Co. KG D-32339 Espelkamp | | | | TB 19 30 010 1230 | | | |
| 28836 | | | | | | | | | | |
| Mod. | Dat. | Name | | | | | | | | |
| | | | | | | | Sub. | | | Blatt/ page |