

5

4

3

2

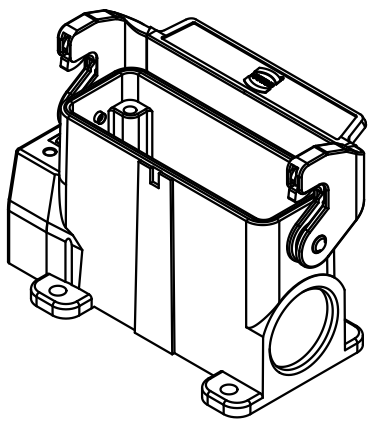
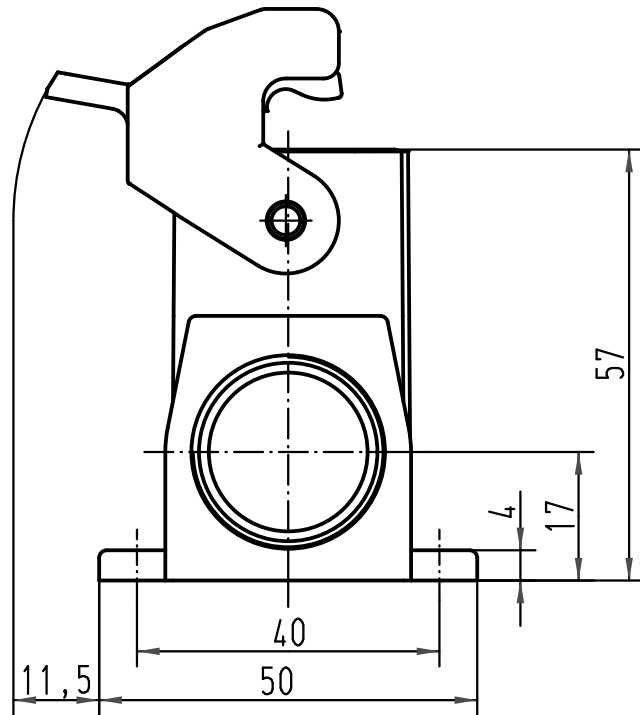
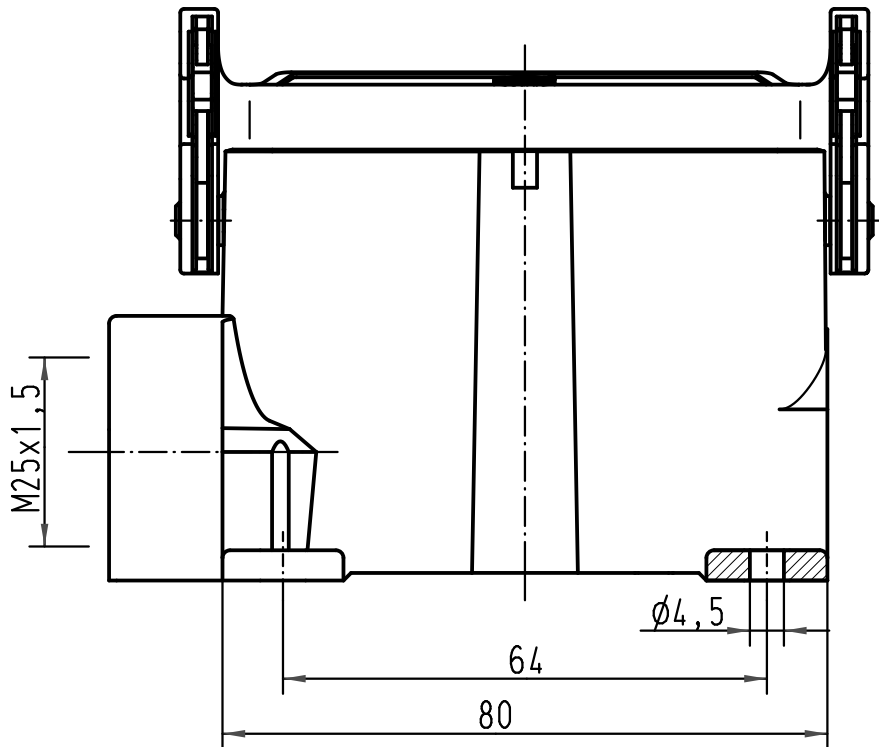
1

D

C

B

A



|   |          |      |   |          |      |   |  |  |            |  |  |
|---|----------|------|---|----------|------|---|--|--|------------|--|--|
| All Dimensions in mm<br>Original Size DIN A 4 |          |      | Techn. Character.                                   |          |      | Nicht tolerierte Maße/ Free size tolerances   |  |  |            |  |  |
|   |          |      |   |          |      | <b>Han 16A-asg1-LB-M25</b><br>Sockelgehäuse mit 1 Kabelausgang/<br><i>housing surface mounting 1 side-entry</i> |  |  |            |  |  |
|   |          |      | Detail.   | 16.11.00 | ROH. |   |  |  | <b>1:1</b> |  |  |
|   |          |      | Insp.   |          | KR   |   |  |  |            |  |  |
|   |          |      | Stand.  |          |      |   |  |  |            |  |  |
| 413277  | 11.10.07 | Rull | HARTING Electric GmbH & Co. KG<br>D-32339 Espelkamp |          |      | <b>TB 19 20 016 0251</b>  |  |  |            |  |  |
| 28834   |          |      |   |          |      | Blatt/ page   |  |  |            |  |  |
| Mod.  | Dat.     | Name | Sub.  |          |      |   |  |  |            |  |  |