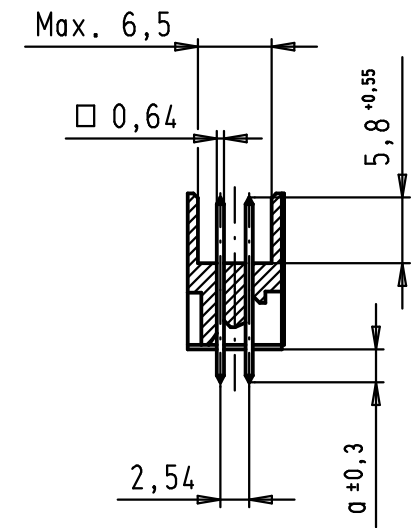
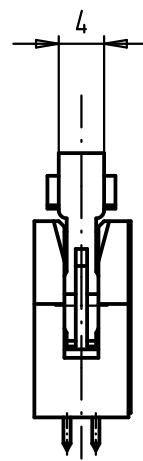
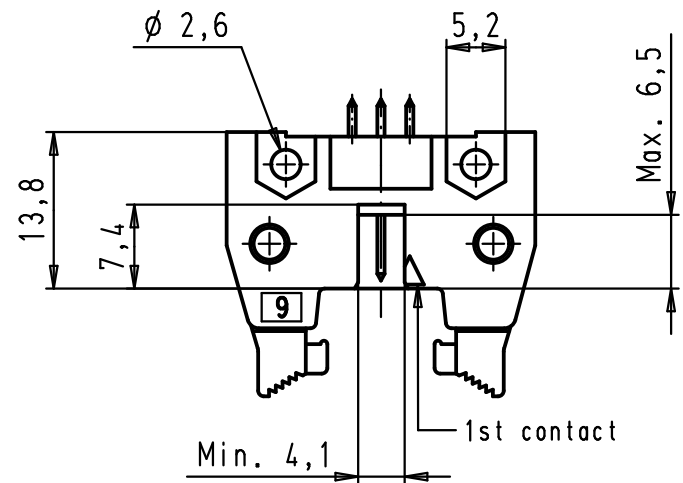
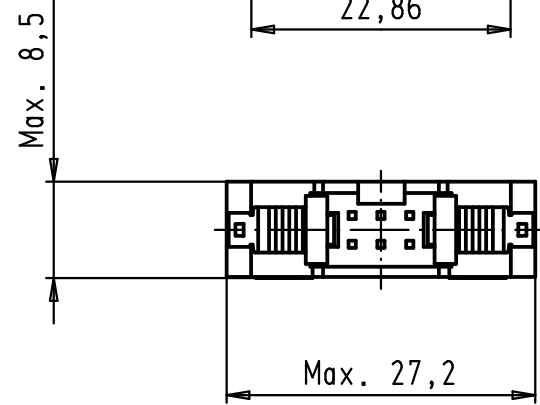
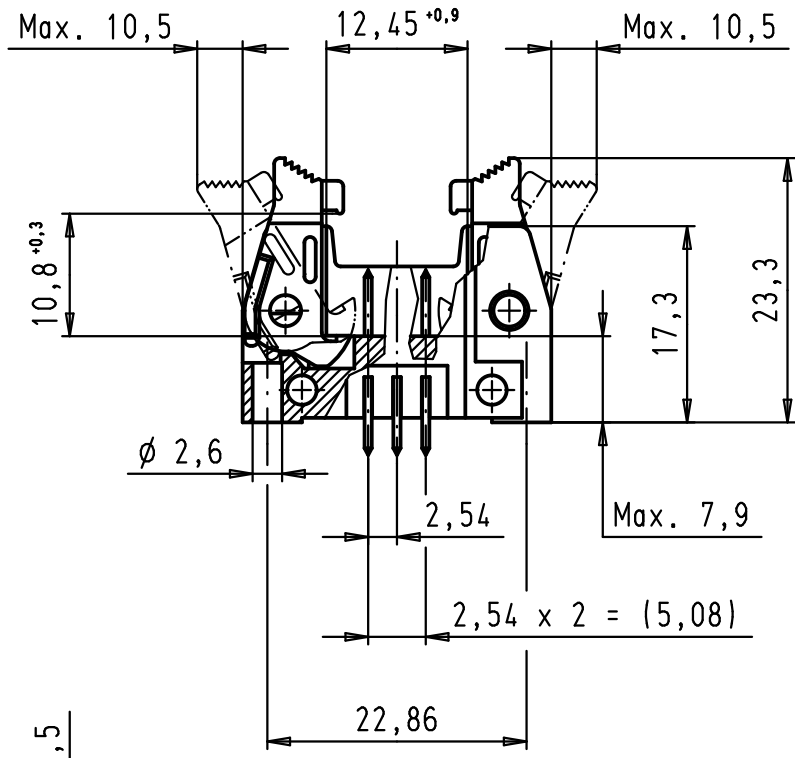
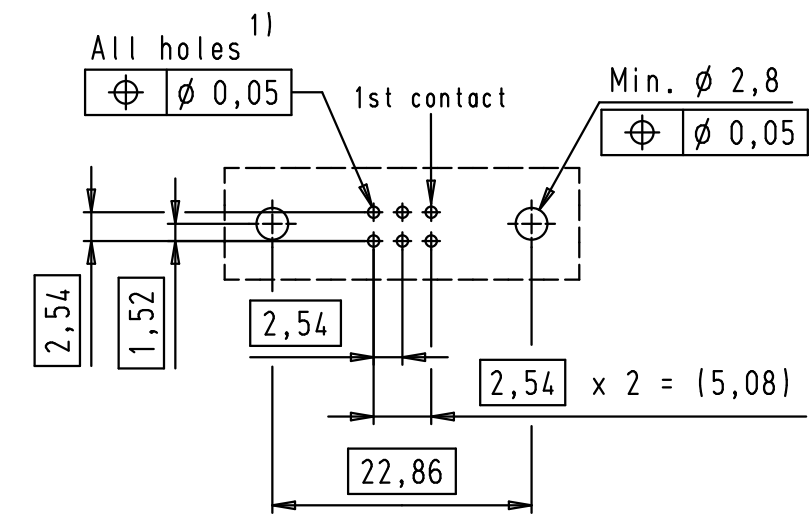


Alle Rechte vorbehalten/ All rights reserved



PCB layout, component side



1) Solder pins for PCB connections
 $\phi 1 \pm 0,1$ according to IEC 60 326-3

09 18 506 7912	3	4,5
09 18 506 6912	2	4,5
09 18 506 5912	0,76 $\mu\text{m Au}$	4,5
09 18 506 7914	3	2,9
09 18 506 6914	2	2,9
09 18 506 5914	0,76 $\mu\text{m Au}$	2,9
Part number	Performance level	a

				Det.	Name	 All Dim. in mm Orig. Size DIN A 3	SEK 18 Male Connector Standard 06 poles Straight solder pins Short locking levers	Maßstab/ Scale 1,5:1	
				Detail.	01/12/99				JB
				Insp.					
34900	29/01/08	LP		Stand.					
27931	15/06/00	JB							
26554	01/12/99	JB							
Mod.	Det.	Name	HARTING EURL F-95972 Paris				TB 09 18 506 X91X	Blatt/ Page 1 / 2	
									Sub.