

B

C

D

A

Dichtung/
seal

M20x1,5

M20x1,5

ø5,5

82

94

17

40

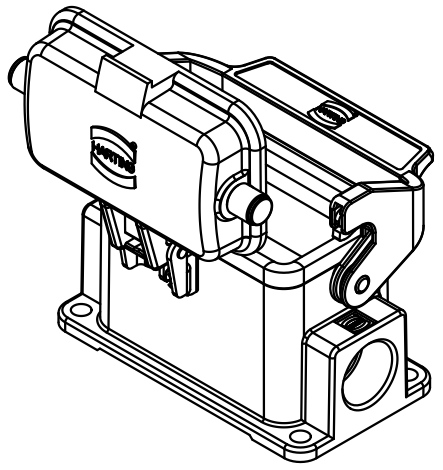
52

4

54

18

23



| | | | | | | | | | |
|---|----------|------|---|----------|------|--|--|-----------------|--|
| All Dimensions in mm Original Size DIN A 4 | | | Techn. Character. | | | Nicht tolerierte Maße/Free size tolerances | | | |
| | | | | Dat. | Name | Maßstab/Scale 1:1 | Han 10B-asg2-LB-K-M20 (AK in Al) Sockelgehäuse/ housing surface mounting | | |
| | | | Detail. | 21.11.00 | Gü | | | | |
| | | | Insp. | | KR | | | | |
| | | | Stand. | | | | | | |
| 413620 | 09.10.07 | Ste | HARTING Electric GmbH & Co. KG D-32339 Espelkamp | | | | TB 19 30 010 2295 | | |
| 28838 | | | | | | | | | |
| Mod. | Dat. | Name | | | | | | | |
| | | | | | | | Sub. | Blatt/page / | |