

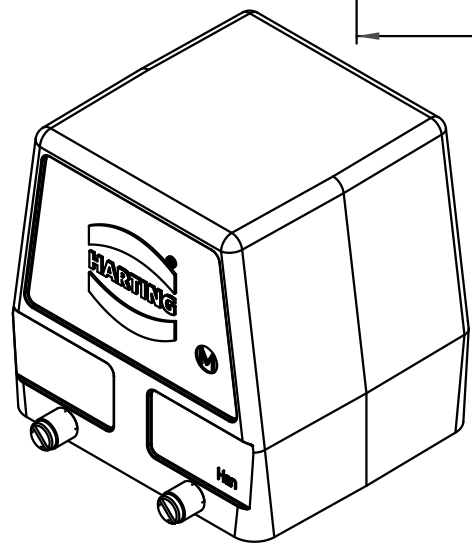
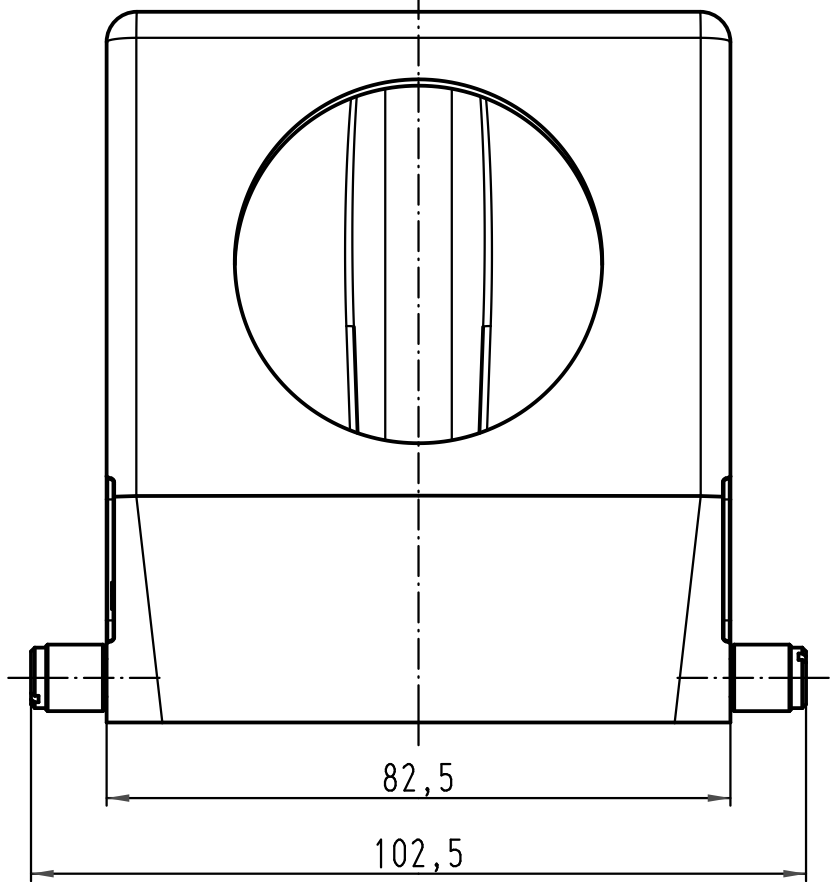
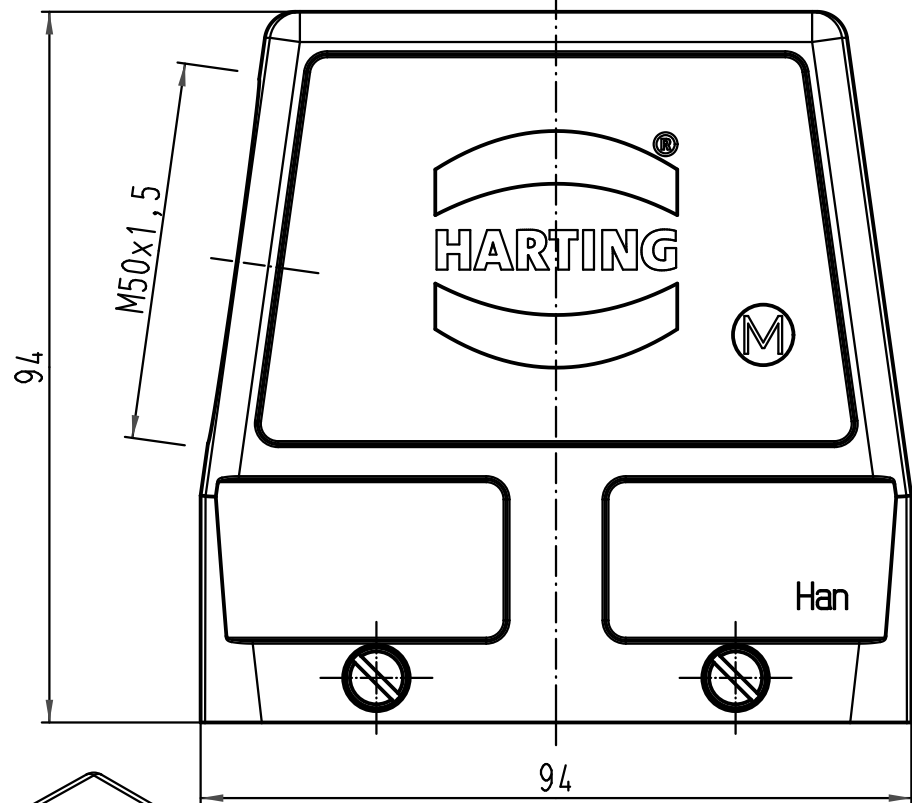
1 2 3 4 5 6

A

B

C

D



|   |      |                   |   |              |   |                                     |
|---|------|-------------------|---|--------------|---|-------------------------------------|
| All Dimensions in mm<br>Original Size DIN A 4 |      | Techn. Character. |   |              | Nicht tolerierte Maß/Free size tolerances |                                     |
|   |      |                   | Dat.  | Name         | Maßstab/Scale<br><br>1:1                  | Han 32B-gs-R-M50<br>Gehäuse<br>hood |
|   |      |                   | Detail.   | 14.04.08 Bor |   |                                     |
|   |      |                   | Insp.   | Sch          |   |                                     |
|   |      |                   | Stand.  |              |   |                                     |
| 413807  |      |                   | HARTING Electric GmbH & Co. KG<br>D-32339 Espelkamp |              |   | TB 19 30 032 0529                   |
| Mod.  | Dat. | Name              |   |              |   |                                     |