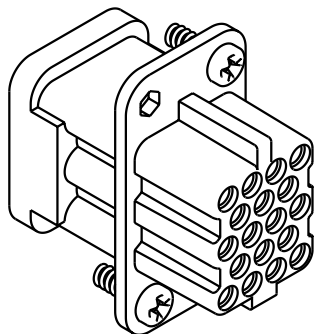


Blechschaube ISO 7049-ST 2,9x9,5-F-H/  
self-tapping screw ISO 7049-ST 2,9x9,5-F-H



All Dimensions in mm Original Size DIN A 4		Techn. Character.			Nicht tolerierte Masse/ Free size tolerances	
			Dat.	Name	Massstab/Scale  <b>2:1</b>	<b>Han Q17/0-F</b> Buchseneinsatz/female insert
		Detail.	05.07.02	DY		
		Insp.		KR		
		Stand.				
410123		HARTING Electric GmbH & Co. KG				<b>TB 09 12 017 3101</b>
Mod.	Dat.	Name	D-32339 Espelkamp			
					Sub.	