

5

4

3

2

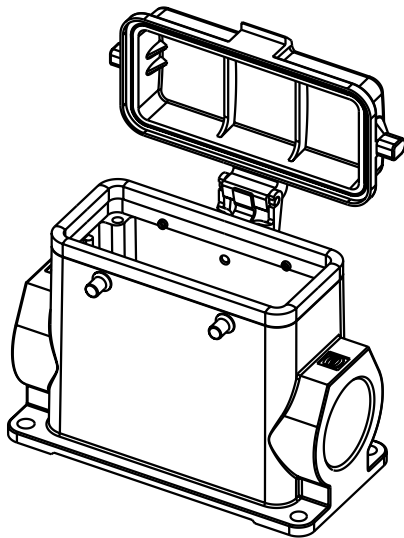
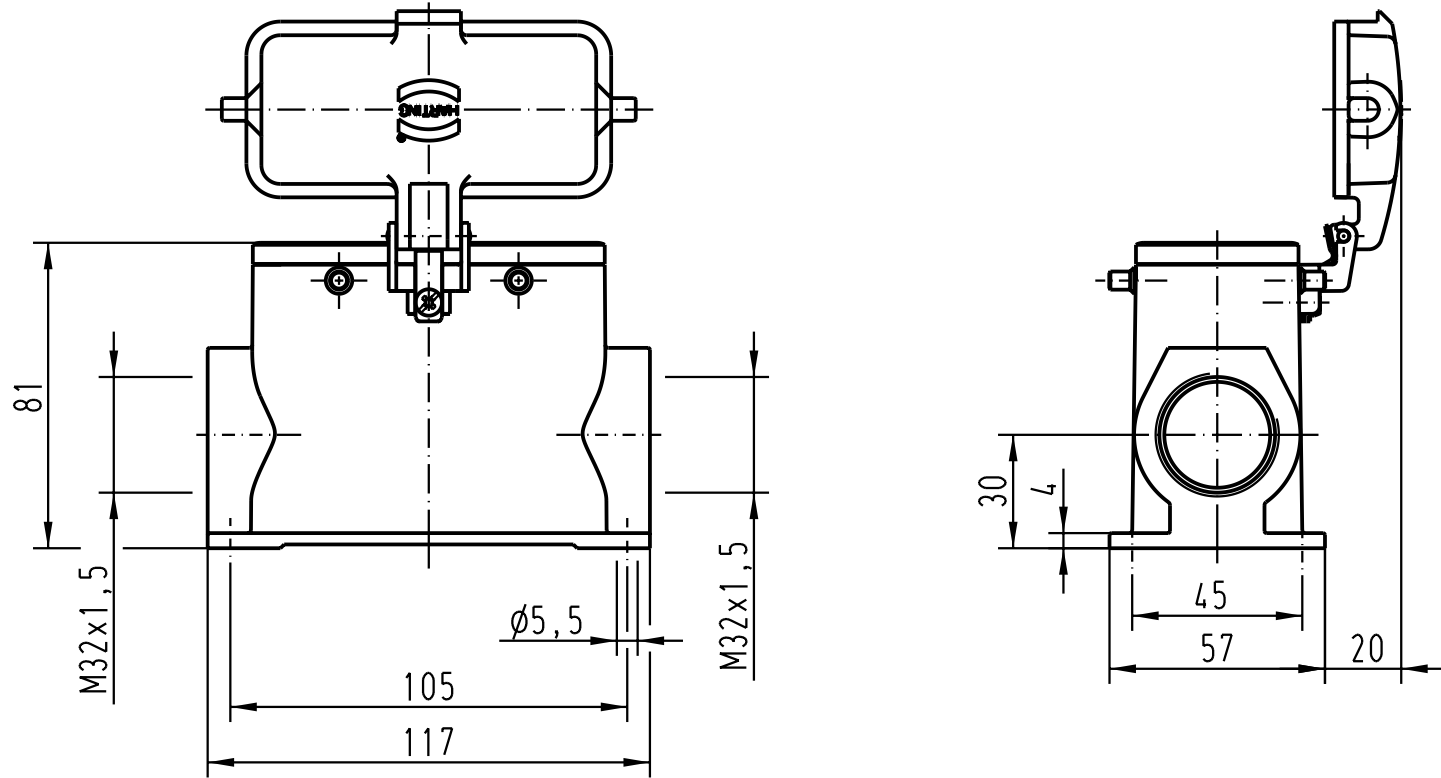
1

D

C

B

A



|   |      |                                |                   |      |  |   |
|---|------|--------------------------------|-------------------|------|--|---|
| All Dimensions in mm<br>Original Size DIN A 4 |      | Techn. Character.              |                   |      | Nicht tolerierte Masse/ Free size tolerances |   |
|   |      |                                | Dat.              | Name | Maststab/Scale<br><br>1:2                    | Han 16B-asg2-K-M32<br>Sockelgehäuse/<br>housings surface mounting |
|   |      | Detail.                        | 19.02.02          | Loe. |  |   |
|   |      | Insp.                          |                   | KR   |  |   |
|   |      | Stand.                         |                   |      |  |   |
| 30581   |      | HARTING Electric GmbH & Co. KG |                   |      |  | TB 19 30 016 0267   |
| Mod.  | Dat. | Name                           | D-32339 Espelkamp |      |  |   |
|   |      |                                |                   |      | Sub.   | Blatt/ page   |