

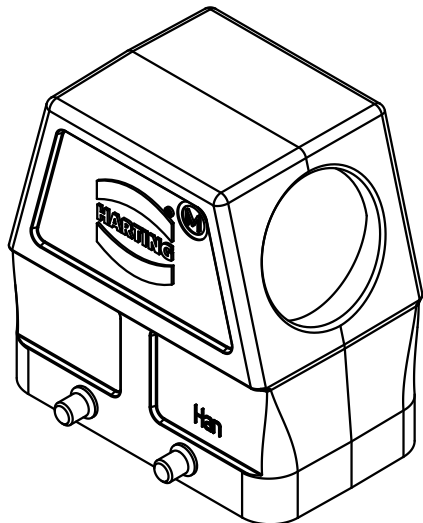
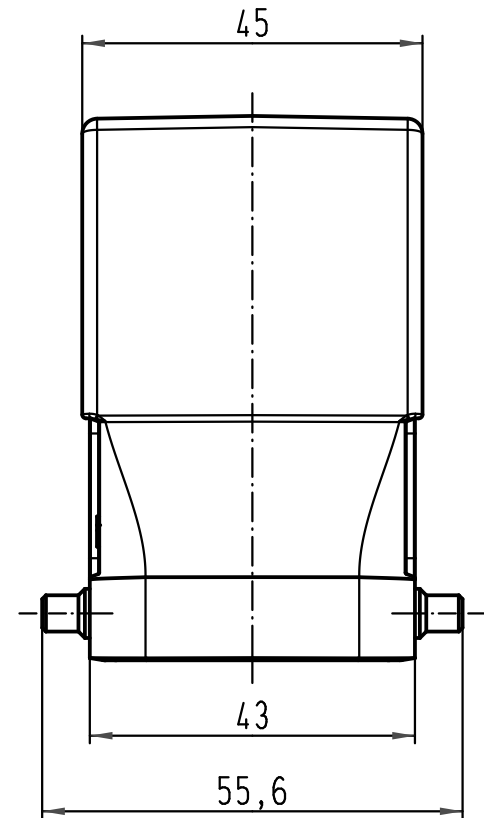
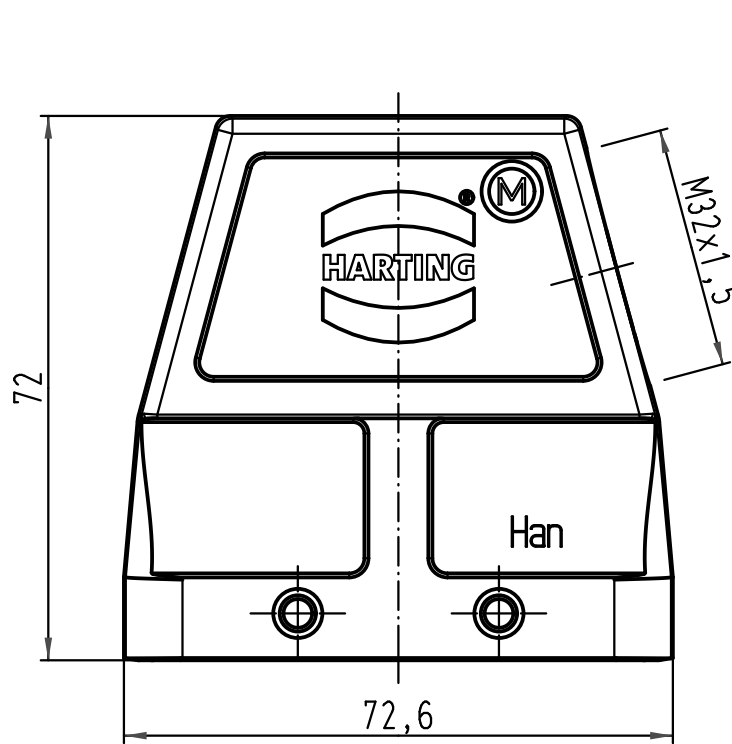
1 2 3 4 5 6

A

B

C

D



|   |          |                   |   |      |  |                                       |
|---|----------|-------------------|---|------|--|---------------------------------------|
| All Dimensions in mm<br>Original Size DIN A 4 |          | Techn. Character. |   |      | Nicht tolerierte Masse/ Free size tolerances |                                       |
|   |          |                   | Dat.  | Name | Massstab/ Scale<br><br>1:1                   | Han 10EMV/B-gs-M32<br>Gehäuse<br>hood |
|   |          | Detail.           | 15.05.02  | DY   |  |                                       |
|   |          | Insp.             |   | KR   |  |                                       |
|   |          | Stand.            |   |      |  |                                       |
| 412724  | 21.02.07 | Bor               | HARTING Electric GmbH & Co. KG<br>D-32339 Espelkamp |      |  | TB 19 62 810 0527                     |
| 410064  |          |                   |   |      |  |                                       |
| Mod.  | Dat.     | Name              |   |      | Sub.   | Blatt/ page                           |