

1 2 3 4 5 6

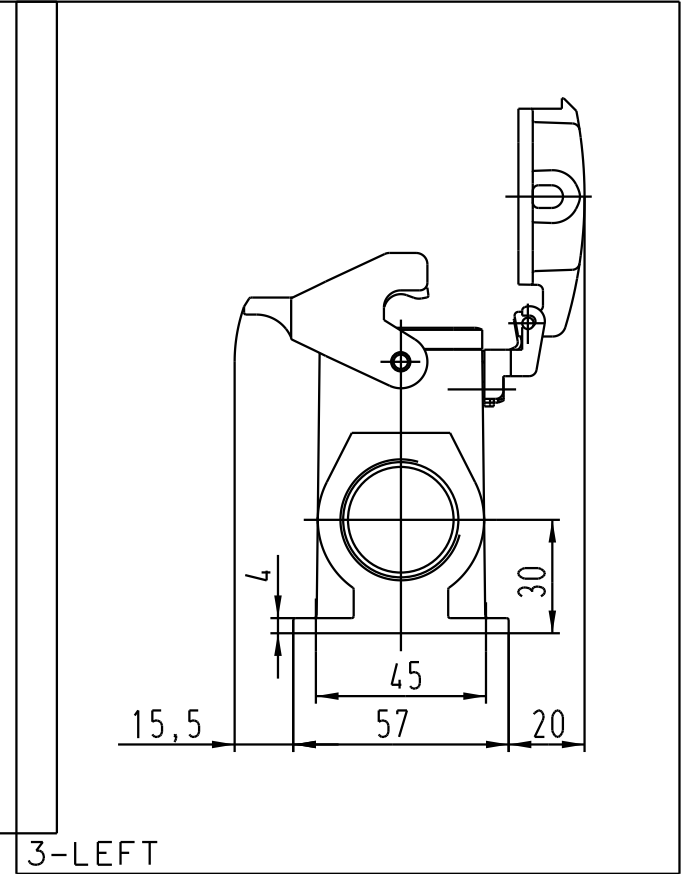
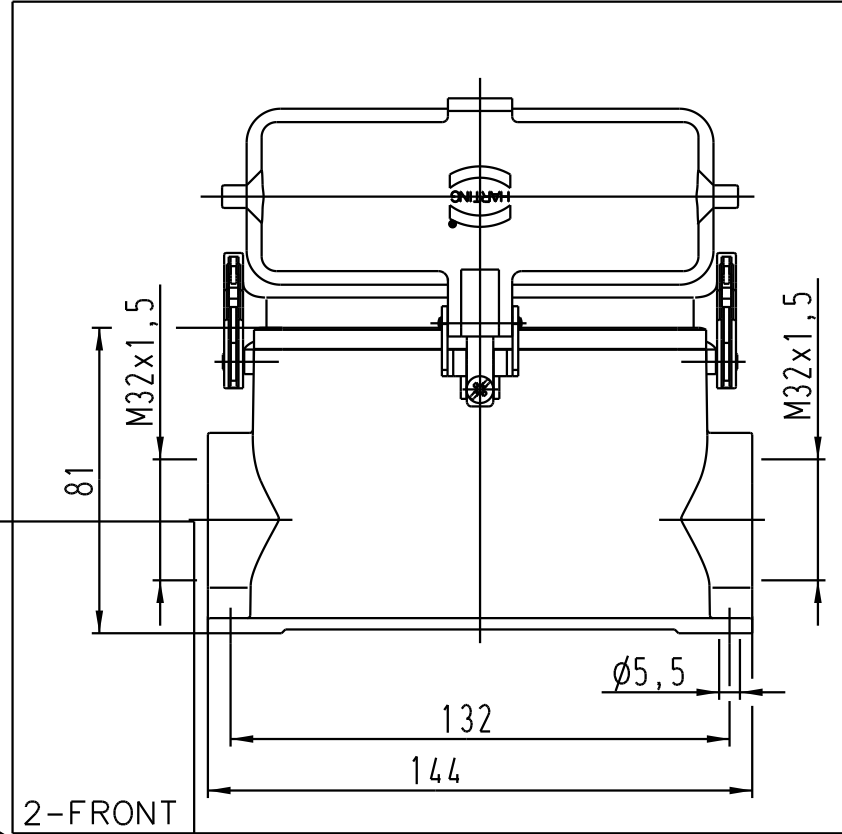
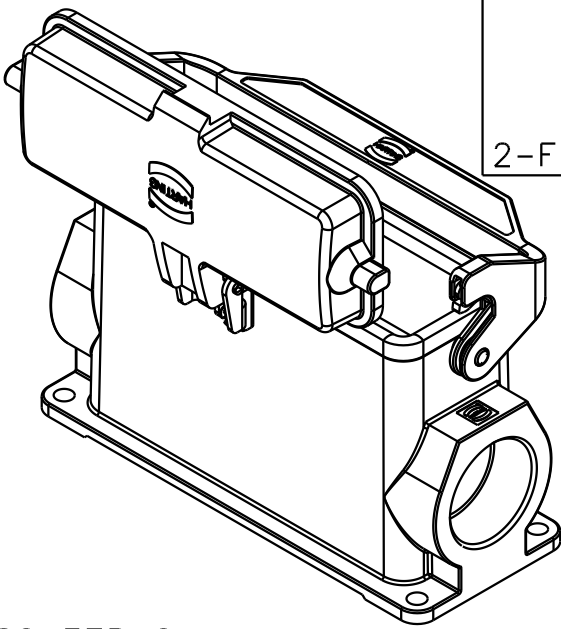
A

B

C

D

4-ISOMETRIC



| | | | | | | |
|-----------------------------------------------|----------|-------------------|-----------------------------------------------------|------|-----------------------------------------------|------------------------------------------------------------------------------|
| All Dimensions in mm Original Size DIN A 4 | | Techn. Character. | | | Nicht tolerierte Masse / Free size tolerances | |
| | | | Dat. | Name | Massstab / Scale 1:2 | Han 24B-asm2-LB-K-M32 Sockelgehäuse / housing, surface mounting |
| | | | Detail. | Gö | | |
| | | | Insp. | KR | | |
| 411740 | 08.08.05 | Grie | Stand. | | | TB 19 30 024 0297 |
| 30707 | 28.03.02 | Gö | | | | |
| 28838 | | | | | | |
| Mod. | Dat. | Name | HARTING Electric GmbH & Co. KG D-32339 Espelkamp | | | Blatt / page / |
| Sub. | | | | | | |