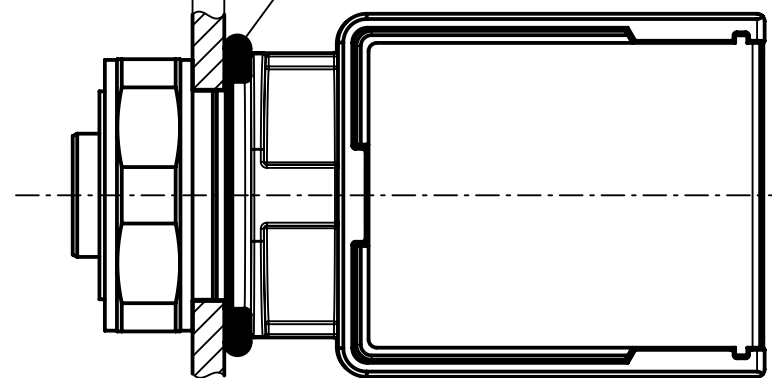


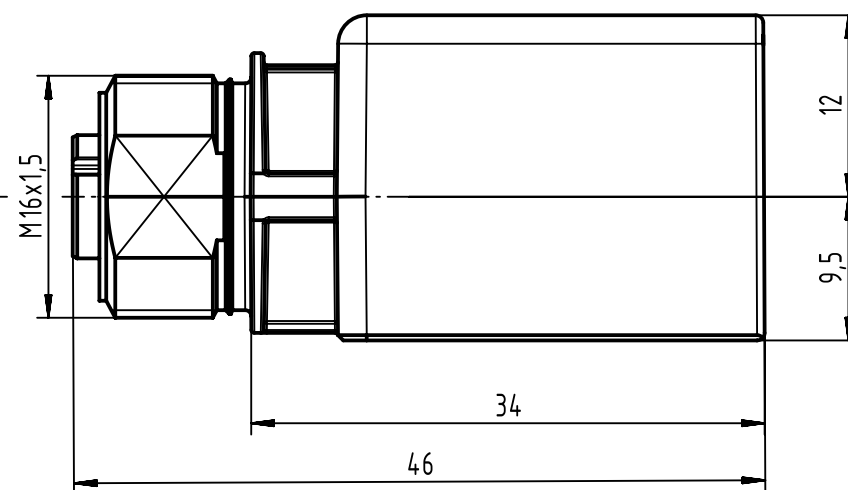
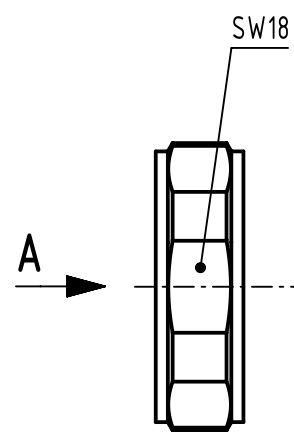
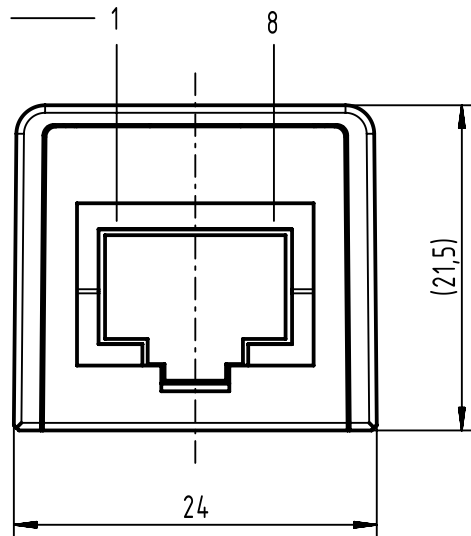
wall thickness 2,1-4,5

seal compressed

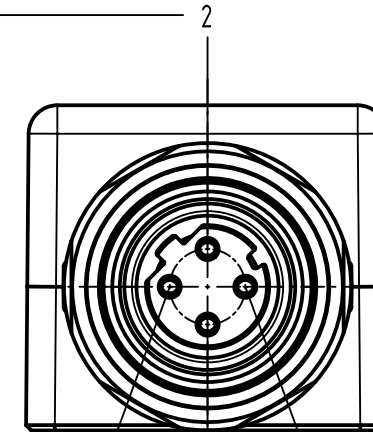


mating face acc. to IEC 60603-7

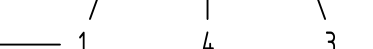
contact position



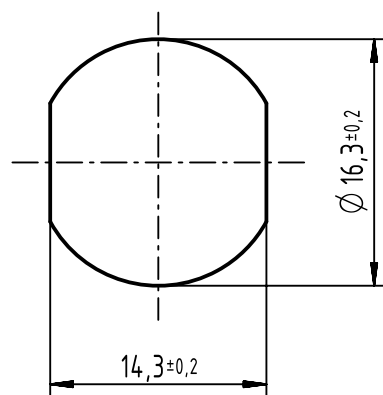
contact position



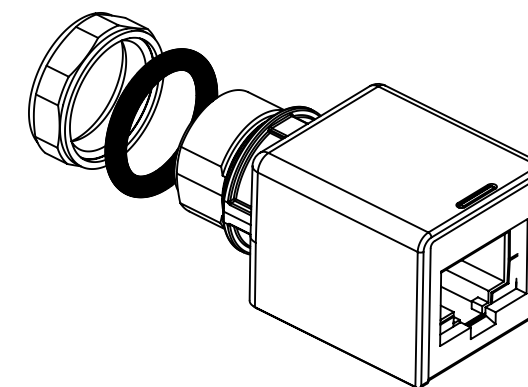
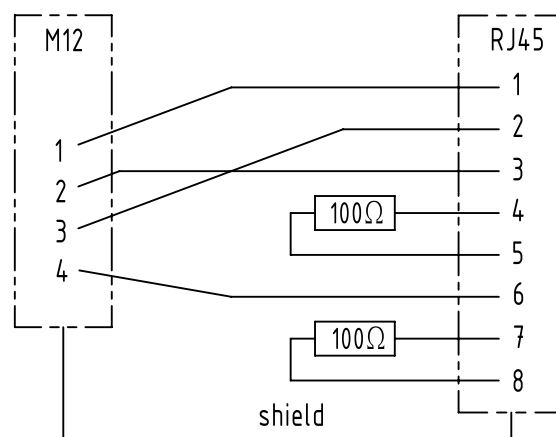
contact position



A panel cut out



circuit diagram



	All rights reserved	Created by DYCKC	Inspected by GRUBES	Standardisation HOFFMANN	Date 2019-04-17	State Final Release	Ref. Sub.
	Department EL PD	Title adapter M12-RJ45 straight		Doc-Key / ECM-Nr. 100513256/UGD/007/E 500000150520		Rev. E	Page 1/1
HARTING Electronics GmbH D-32339 Espelkamp		Type TB	Number 21033812401				