

5

4

3

2

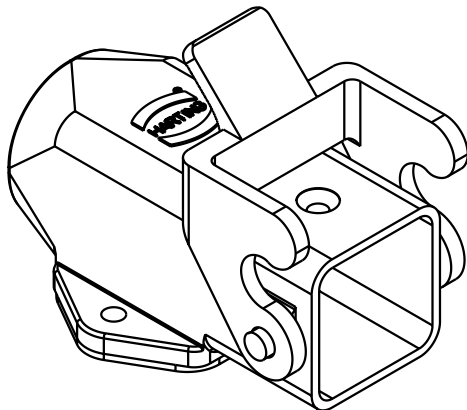
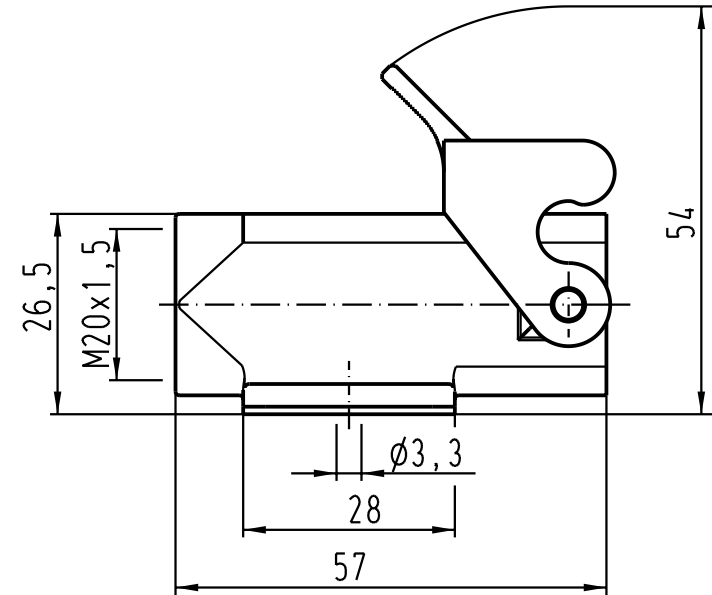
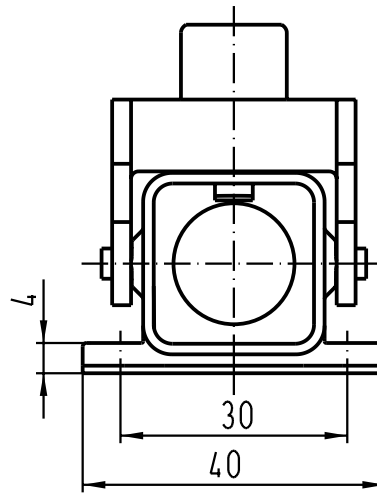
1

D

C

B

A



| | | | | | | |
|---|------|---|----------|------|--|---|
| All Dimensions in mm Original Size DIN A 4 | | Techn. Character. | | | Nicht tolerierte Masse/ Free size tolerances | |
| | | | Dat. | Name | Massstab/Scale 1 : 1 | Han 3A-asg-QB-M20 Sockelgehäuse schwarz/ <i>housing surface mounting black</i> |
| | | Detail. | 29.08.02 | Gö | | |
| | | Insp. | | SDT | | |
| | | Stand. | | | | |
| 410189 | | HARTING Electric GmbH & Co. KG D-32339 Espelkamp | | | | TB 19 20 003 0227 |
| Mod. | Dat. | Name | Sub. | | | |
| | | | | | | Blatt/ page |