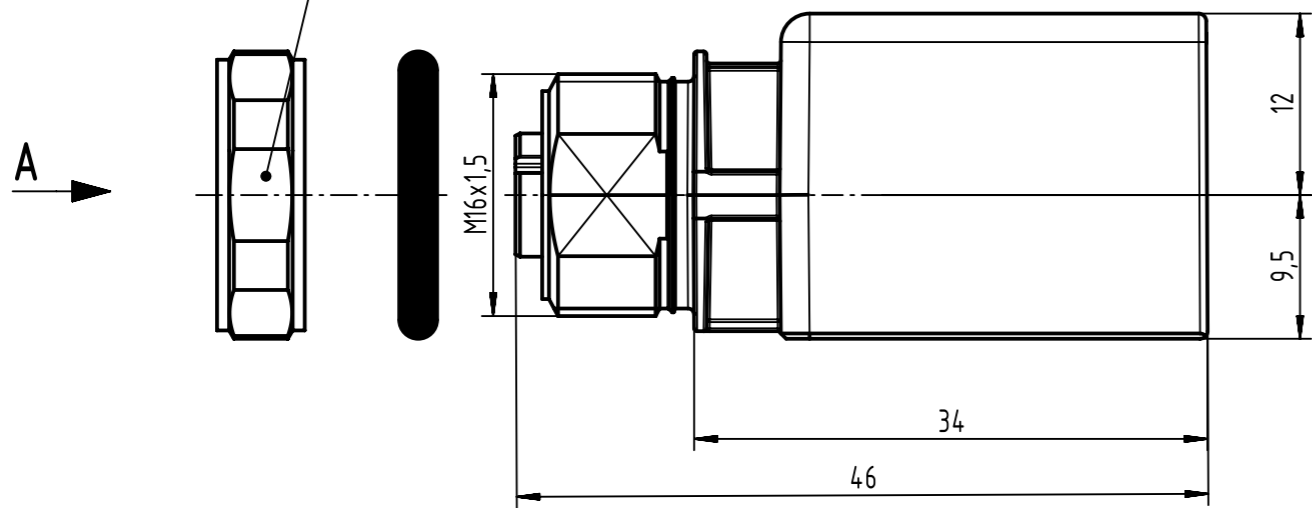


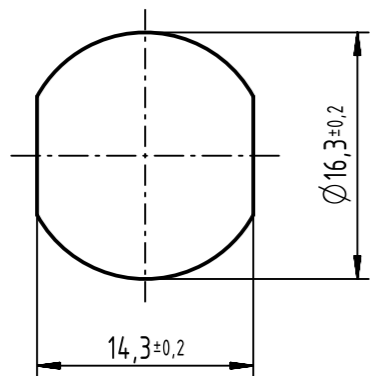
contact position — 1
8

SW18
width across flats

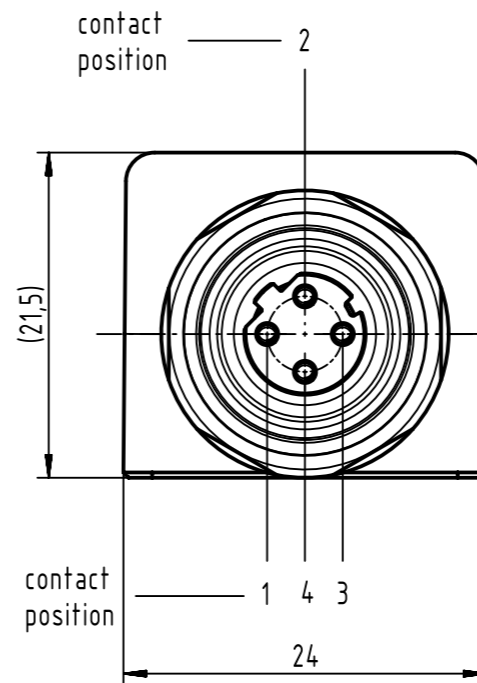
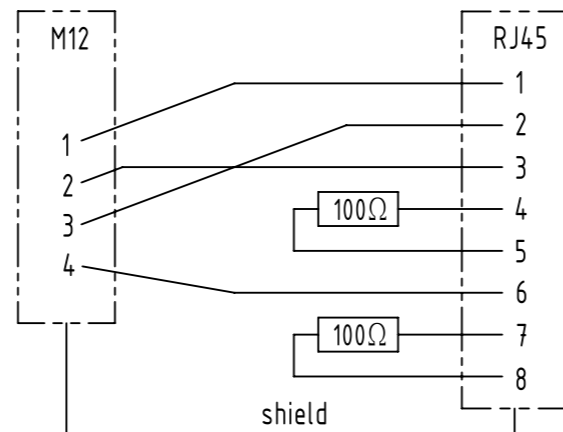


A

panel cut out

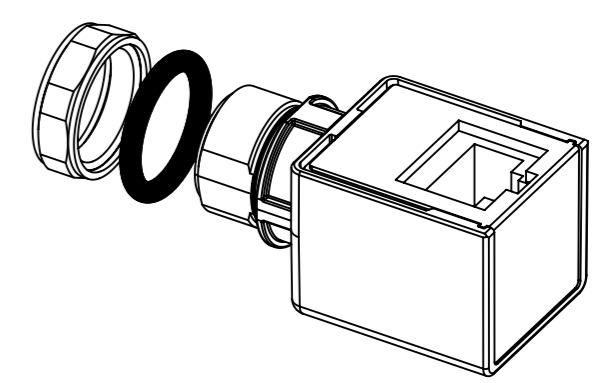


circuit diagram



contact position — 2

contact position — 1 4 3



	All rights reserved		Created by DYCKC		Inspected by HARLASS		Standardisation HOFFMANN		Date 2018-06-21		State Final Release			
	Department EL PD		Title adapter M12-RJ45 angled		Type TB		Number 21033814401		Doc-Key / ECM-Nr. 100513256/UGD/008/D 500000135194		Rev. D Page 1/1			
All Dimensions in mm Original Size DIN A3			Scale 2:1			Free size tol.			Ref.			Sub.		
HARTING Electronics GmbH D-32339 Espelkamp														