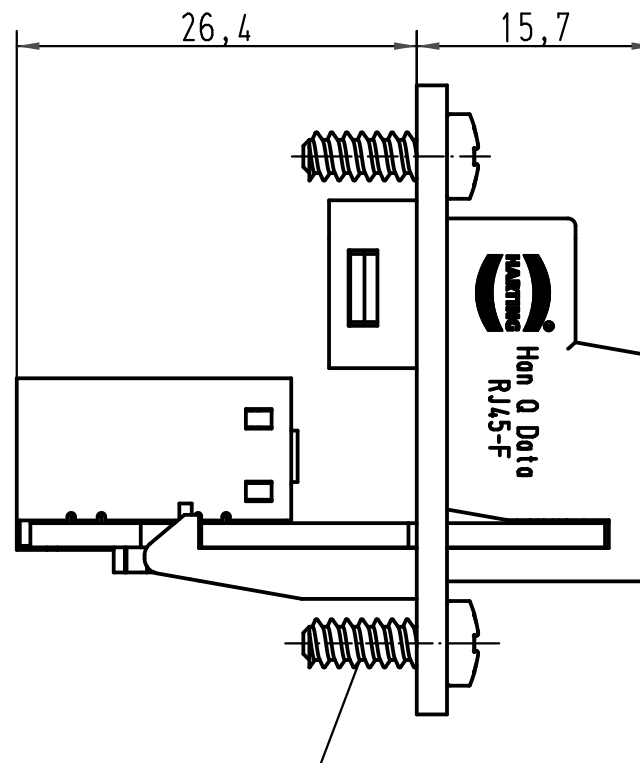
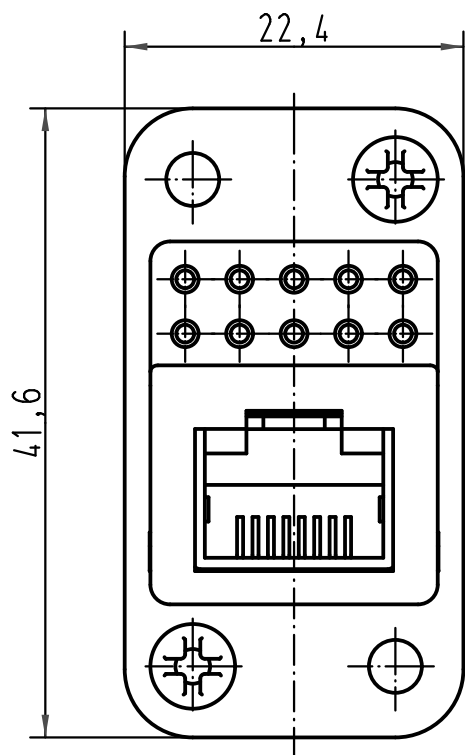


A

B

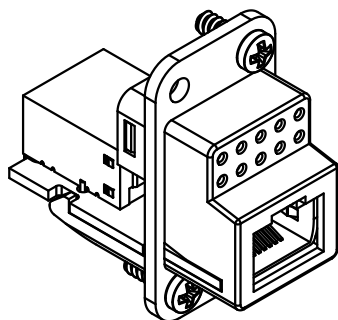
C

D



Blechschaube ISO 7049-ST 2,9x9,5-F-H/
self-tapping screw ISO 7049-ST 2,9x9,5-F-H

Crimpkontakte separat bestellen
order contacts seperatly



All Dimensions in mm Original Size DIN A 4		Techn. Character.			Nicht tolerierte Masse/ Free size tolerances	
			Dat.	Name	Massstab/ Scale	Han Q Data RJ45-F
		Detail.	19.02.07	Ho		
		Insp.		SUN		
		Stand.				
412276		HARTING Electric GmbH & Co. KG				TB 09 12 011 3111
Mod.	Dat.	Name	D-32339 Espelkamp			
					Sub.	Blatt/ page