

5

4

3

2

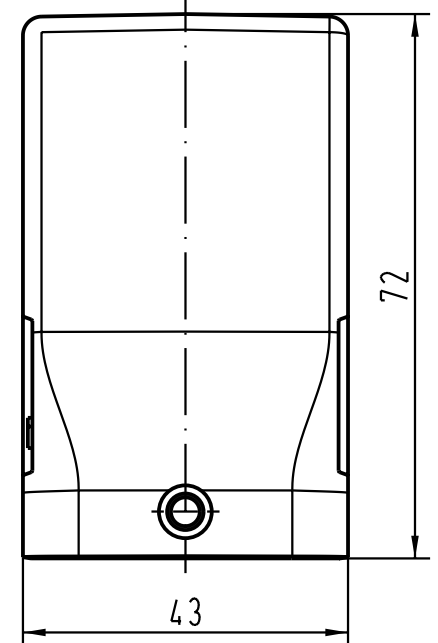
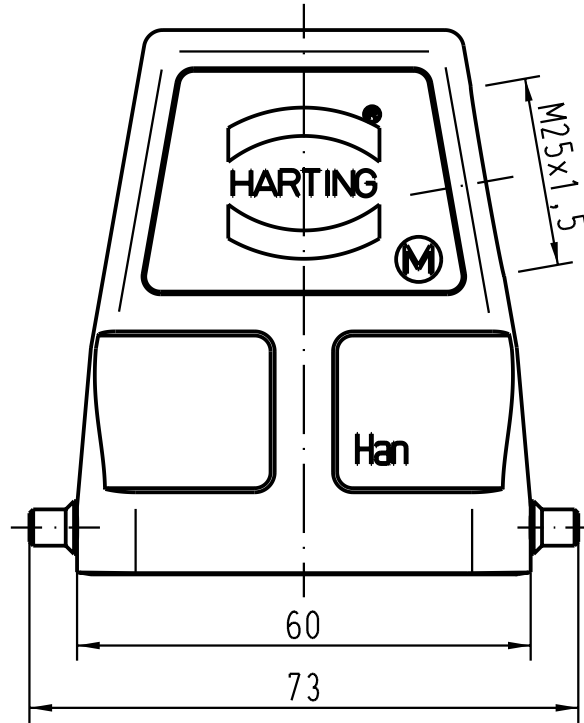
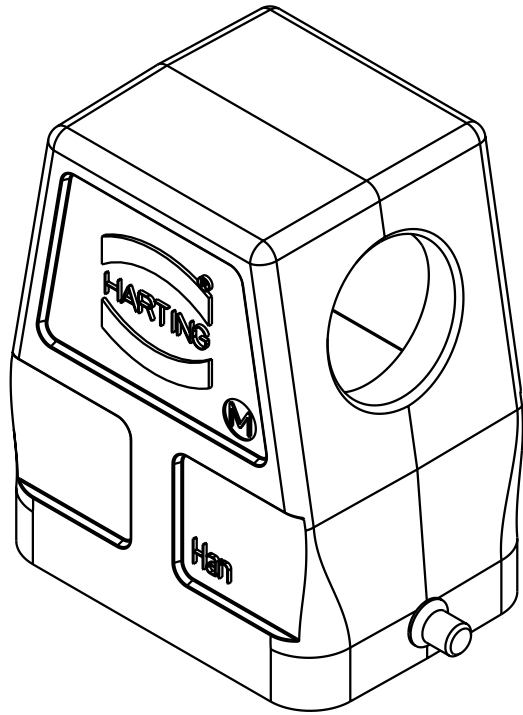
1

D

C

B

A



| | | | | | | |
|---|------|-------------------|---|----------|--|--------------|
| All Dimensions in mm Original Size DIN A 4 | | Techn. Character. | | | Nicht tolerierte Masse/ Free size tolerances | |
| | | | Dat. | Name | Massstab/ Scale | |
| | | | Detail. | 18.02.04 | Loe. | 1 : 1 |
| | | | Insp. | | KR | |
| | | | Stand. | | | |
| 410892 | | | HARTING Electric GmbH & Co. KG D-32339 Espelkamp | | | |
| Mod. | Dat. | Name | TB 19 37 006 0546 | | | |
| | | | | | | Sub. |