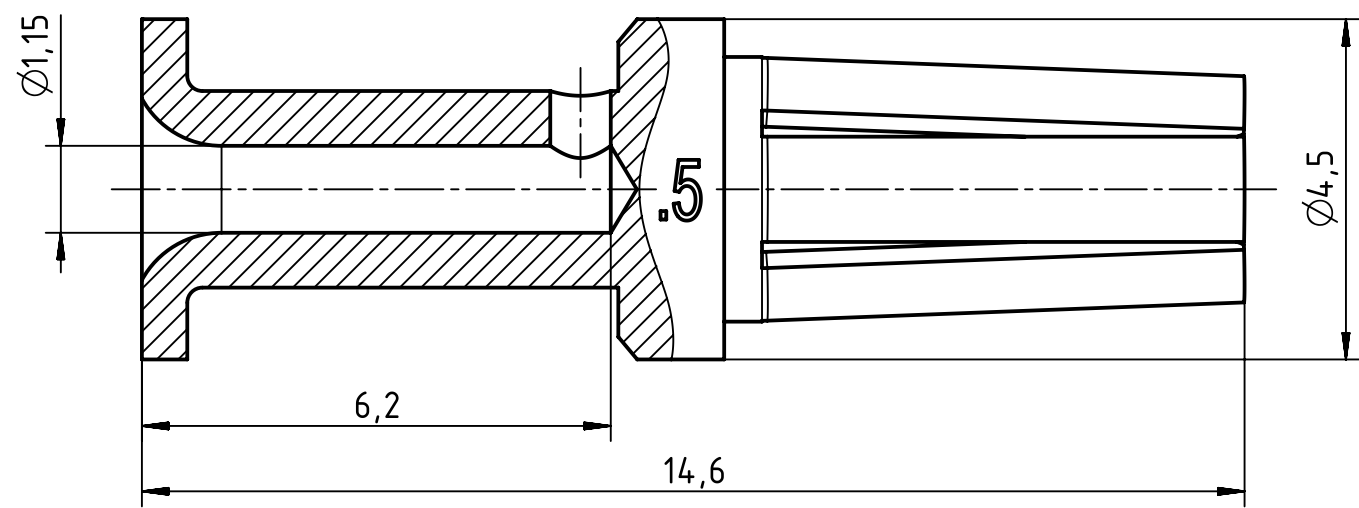


A

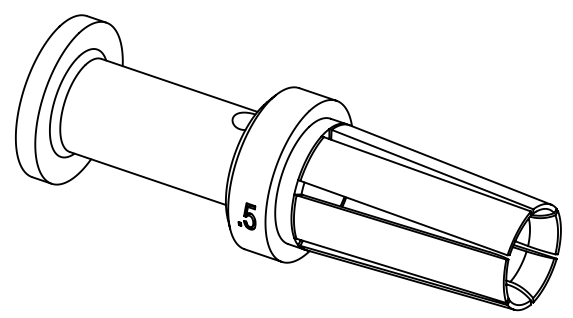
B


C

D



wire gauge: $0,5\text{mm}^2$ / AWG 20
 stripping length: 6,5mm
 coating: gold plated



| | | | | | | | |
|---|--|--|--|--------------------------|-----------------------------|--|------------------------|
|  | All Dimensions in mm Original Size DIN A4 | | Scale 10:1 | Free size tol. | | Ref. Sub. | |
| | All rights reserved Department EL PD - DE | | Created by HOLLERT | Inspected by RIEPE | Standardisation TIEMANNA | Date 2013-11-28 | State Final Release |
| HARTING Electric GmbH & Co. KG D-32339 Espelkamp | | | Title Han-Yellock crimp contact female $0,5\text{mm}^2$ | | | Doc-Key / ECM-Nr. 100523677/UGD/001/B 500000068615 | |
| | | | Type TB | Number 11 05 000 6222 | | Rev. B | Page 1/1 |