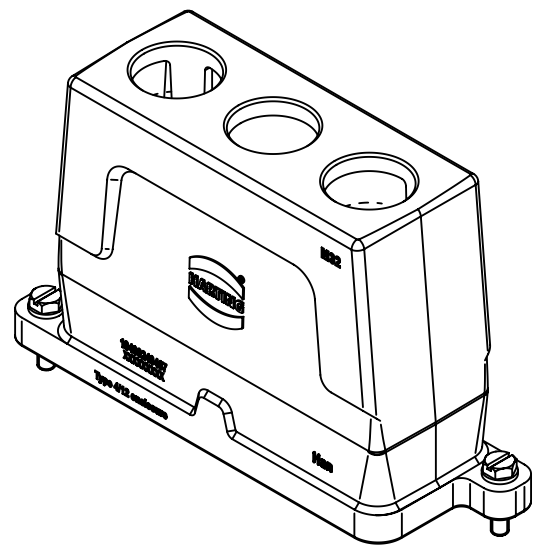
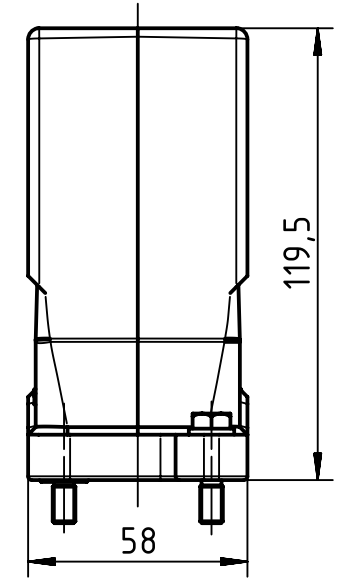
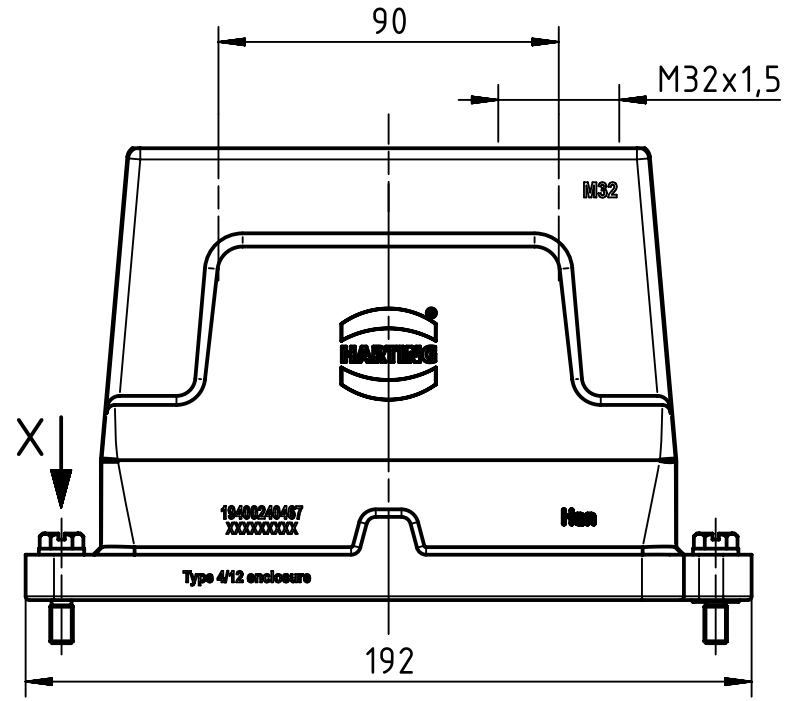
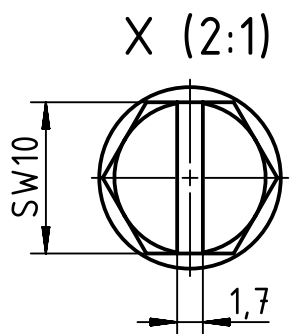
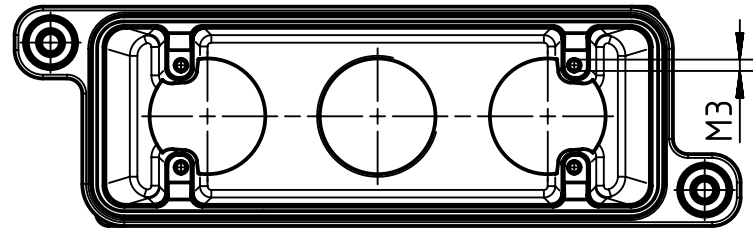


1 2 3 4 5 6

A
B
C
D



	All Dimensions in mm Original Size DIN A4		Scale 1:2	Free size tol.		Ref.
						Sub.
	All rights reserved		Created by QUADE	Inspected by BERGHORN	Standardisation TIEMANNA	Date 2016-05-18
	Department EL PD - DE		Title Han 24HPR-gg3-SV-M32		State Final Release	
HARTING Electric GmbH & Co. KG D-32339 Espelkamp			Type TB	Number 19 40 024 0467		Doc-Key / ECM-Nr. 100221327/UGD/004/C 500000103919
					Rev. C	Page 1/1