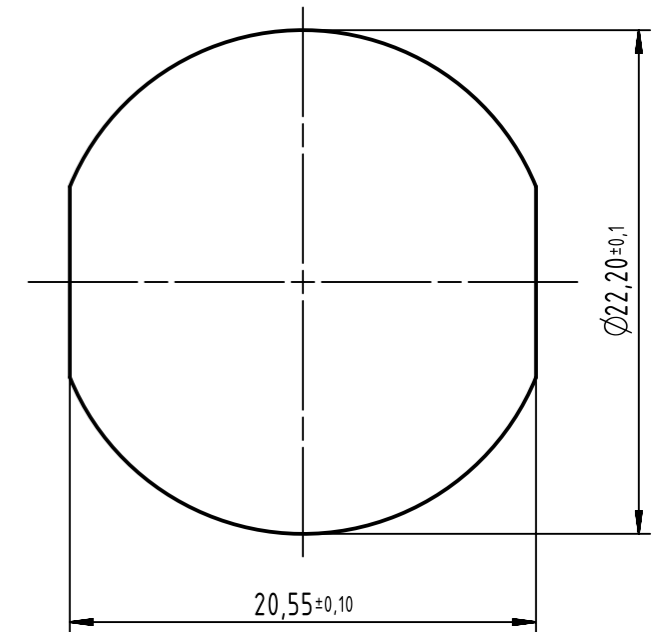


Recommended Panel Cut Out



	All Dimensions in mm Original Size DIN A3		Scale 2:1	Free size tol.		Ref.	
	All rights reserved Department EC PD - CN		Created by CHENSK	Inspected by CHENSK	Standardisation HOFFMANN	Date 2017-06-02	State Final Release
HARTING Electronics GmbH D-32339 Espelkamp		Title M12 transf. recpt. front mounting kit				Doc-Key / ECM-Nr. 100686447/UGD/000/C 500000119897	
		Type TB	Number 21033012006			Rev. C	Page 1/1