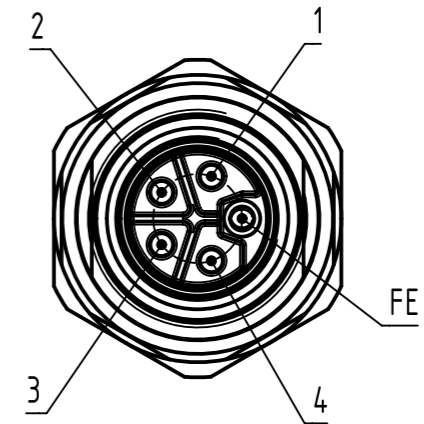
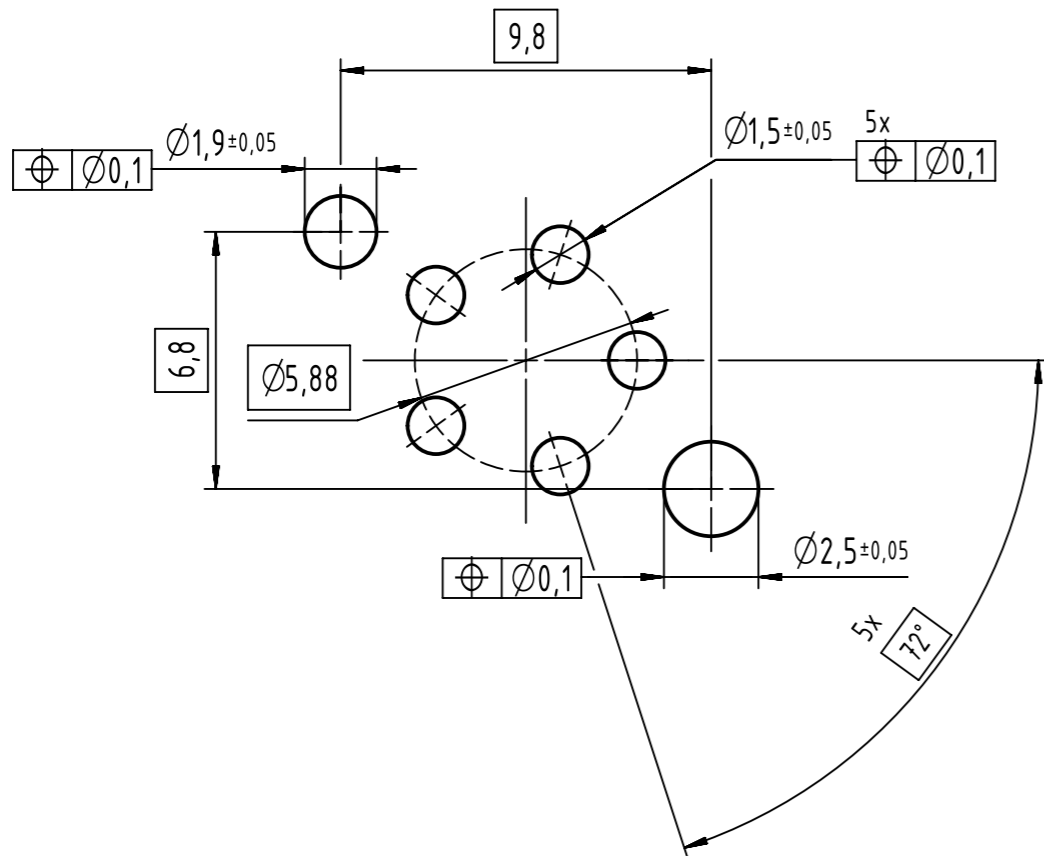


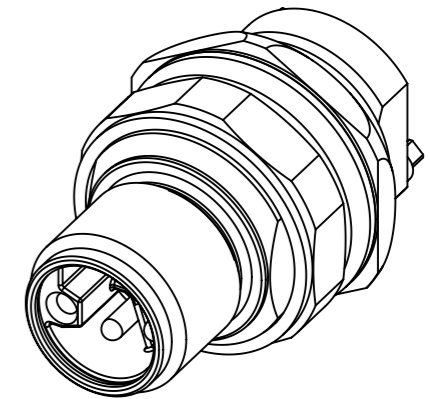
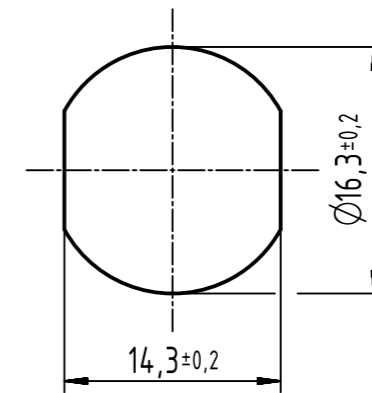
contact face based on
IEC 61076-2-111



A (5:1)
recommended PCB layout



(2:1)
panel cut out



	All Dimensions in mm Original Size DIN A3		Scale 2:1	Free size tol.		Ref.	
	All rights reserved Department EC PD - RO		Created by BALSAN	Inspected by PRIESTER	Standardisation HOFFMANN	Date 2018-03-08	State Final Release
HARTING Electronics GmbH D-32339 Espelkamp		Title M12 Power PCB receptacle male L-coded back				Doc-Key / ECM-Nr. 100600966/UGD/000/D 500000132179	
		Type TB	Number 21033961530		Rev. D	Page 1/1	