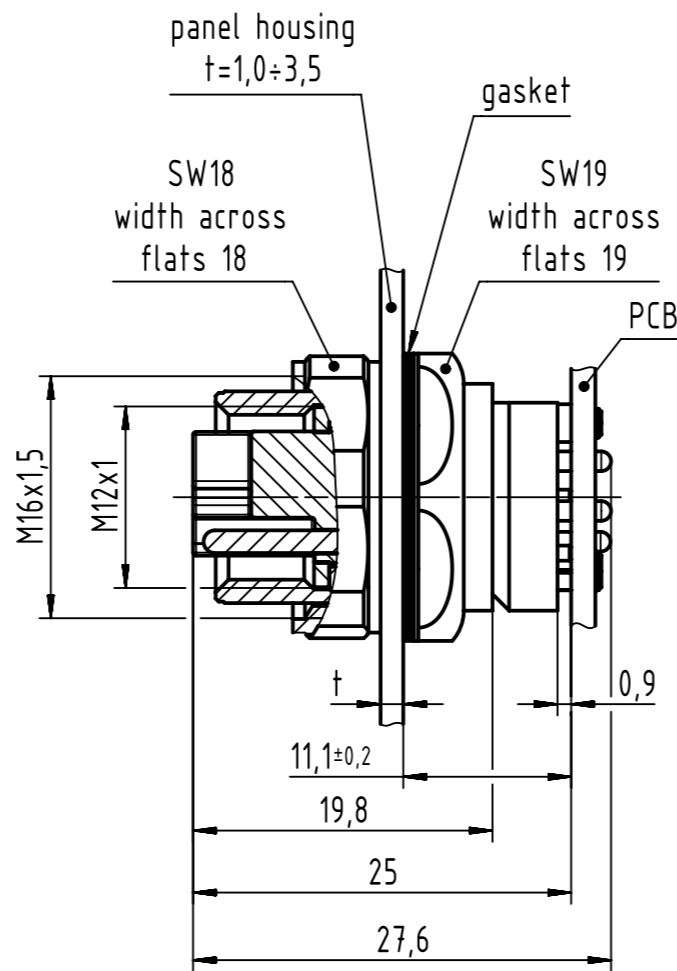
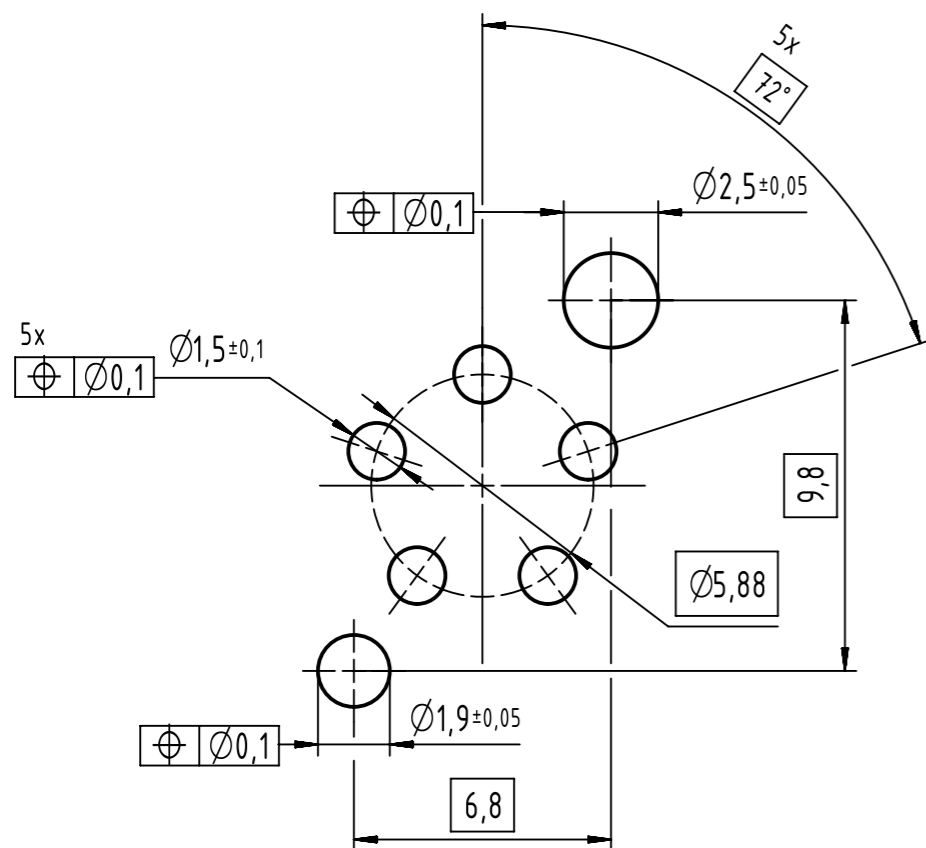
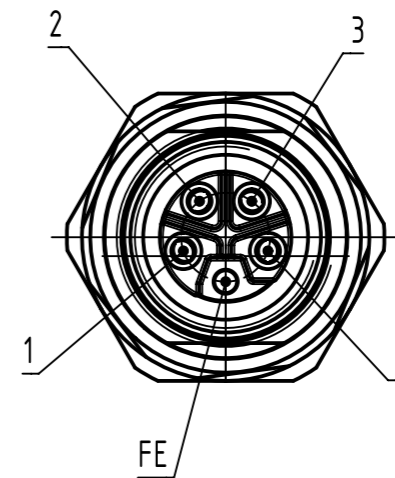


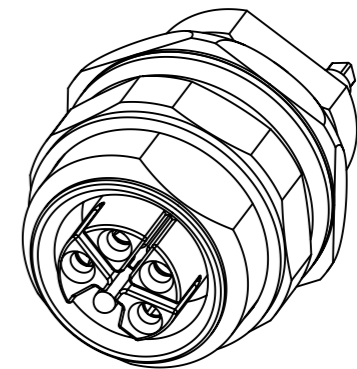
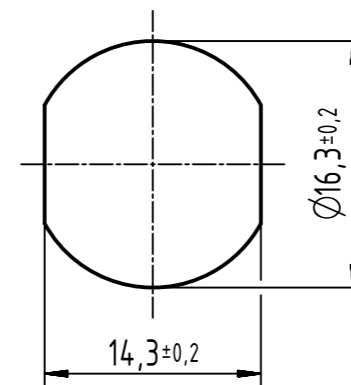
A (5:1)
recommended PCB-layout



contact face based on
IEC 61076-2-111



(2:1)
panel cut out



| | | | | | | |
|--|---|---|--------------------------|-----------------------------|--------------------|--|
| | All rights reserved Department EC PD - RO HARTING Electronics GmbH D-32339 Espelkamp | All Dimensions in mm Original Size DIN A3 | | Scale 2:1 | Free size tol. | Ref. Sub. |
| | | Created by BALSAN | Inspected by PRIESTER | Standardisation HOFFMANN | Date 2018-03-08 | State Final Release |
| | | Title M12 Power PCB receptacle female L-coded back | | | | Doc-Key / ECM-Nr. 100600965/UGD/000/D 500000132179 |
| | | Type TB | Number 21033962530 | | Rev. D | Page 1/1 |