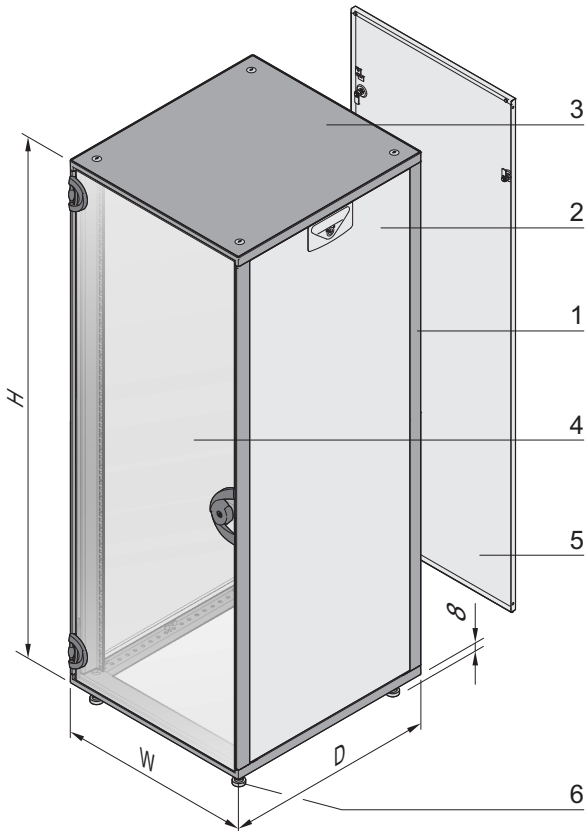


Cabinets – Novastar

19" CABINET WITH GLASS DOOR (SMOKE GREY) AND REAR PANEL



07011010



Spacing to 19" plane:
front 33 mm, rear 60 mm;
60 mm

Slim-Line:
Heavy-Duty: front and rear

07011050

- All uprights (front and rear) with 19" cut-outs
- Flush cladding parts
- Type of protection IP 20
- 2 cabinet depths (600 mm, 800 mm), cabinet width 553 mm
- Static load-carrying capacity
 - Slim-Line 200 kg (12, 16, 20 U)
 - Heavy-Duty 400 kg (38, 43 U)
- 2 colours
 - RAL 7021 (black grey) throughout
 - Colour combination: side panels, rear panel RAL 7035 (light grey); frame, top cover RAL 7021 (black grey)

DELIVERY COMPRISES (assembled)

Item	Qty	Description
1	1	Frame, uprights Al extrusion with 19" cut-outs, Al die-cast frame, RAL 7021
2	2	Side panel, St, 1 mm; light grey (RAL 7035) or black grey (RAL 7021), see Order information; twist-locking catch (Torx T30)
3	1	Flush top cover, St, 1 mm, RAL 7021
4	1	Glazed door, single pane safety glass (ESG) 6 mm, smoke grey, with DIN cylinder safety lock and 2 keys (2233x)
5	1	Rear panel, St, 1 mm, light grey (RAL 7035) or black grey (RAL 7021), see Order information
6	4	Foot
7	1	GND/earthing kit

ORDER INFORMATION

Usable height	Height H	Width W	Depth D	Colour RAL 7021	Colour RAL 7035/ RAL 7021
U	mm	mm	mm	Part no.	Part no.

Slim-Line

12	589	553	600	15230-019	16230-019
16	767	553	600	15230-020	16230-020
20	945	553	600	15230-021	16230-021

Heavy-Duty

38	1745	553	600	15230-022	16230-022
38	1745	553	800	15230-023	16230-023
43	1967	553	600	15230-024	16230-024
43	1967	553	800	15230-025	16230-025

Accessories

Lifting eye for flush cover M12 thread, application and load to DIN 582 PU 4 pieces	27230-066
---	------------------

NOTE

- Please order base plate, base/plinth, slide rails and shelves separately, see from page 1.254
- Castors see page 1.253
- Other accessories/components see ServicePLUS, from page 1.261
- Dimension drawings see from page 1.243