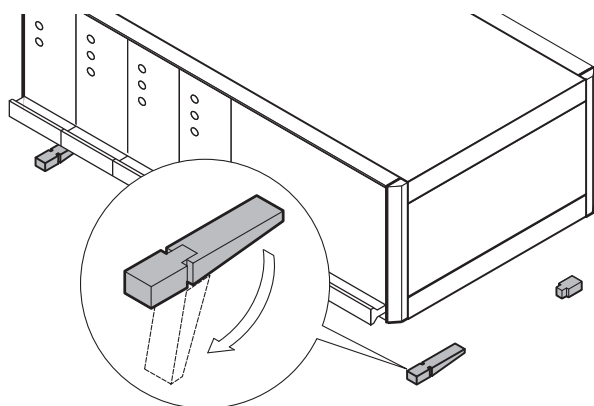


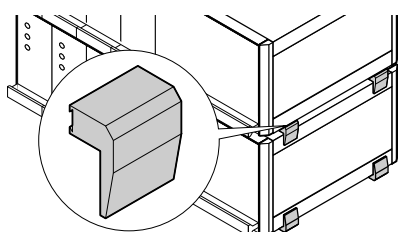
# Desk-top cases – RatiopacPro/ -air

## TIP-UP FEET AND STACKING AID/DESIGN ELEMENT



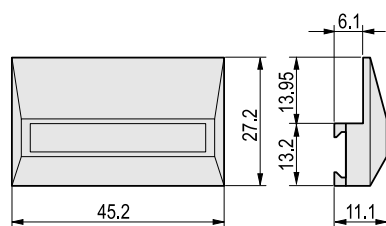
Tip-up foot

01802075



Stacking aid/design element

01802076



- Can be used instead of standard feet
- Carrying capacity: 25 kg per foot
- Mounting holes in bottom of casing

### DELIVERY COMPRISES ((kit))

Item	Qty	Description
1	4	Foot, PA, UL 94 V-0
2	4	Anti-slip protection, TPE
3	2	Tip-up device, PA, UL 94 V-0
4	1	Assembly kit

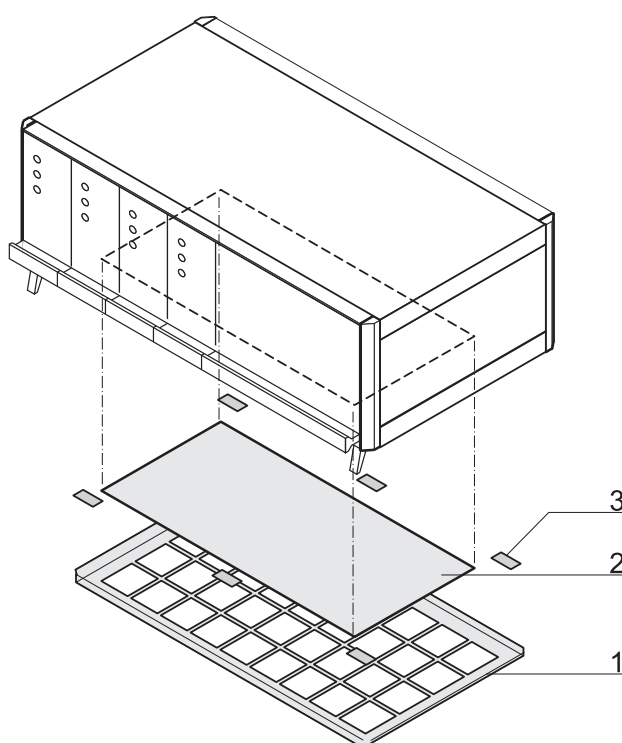
### ORDER INFORMATION

Description	Part no.
Tip-up foot, silver, similar to RAL 9006	<b>20603-001</b>
Tip-up foot, anthracite, similar to RAL 7016	<b>20603-002</b>
Stacking aid/design element silver, similar to RAL 9006, PA, UL 94 V-0, PU 4 pieces	<b>20603-004</b>
Stacking aid/design element anthracite, similar to RAL 7016, PA, UL 94 V-0, PU 4 pieces	<b>20603-003</b>

### NOTE

- Tip-up feet are required to mount the stacking aid

## AIR FILTERS FOR RATIOACPRO AIR



rppr6658

- Retrofit mounting without reworking and tools
- Filter replacement without opening the case, IP protection retained

### DELIVERY COMPRISES (kit)

Item	Qty	Description
1	1	Filter holder, Al, 1 mm, powder-coated, RAL 9006
2	1	Filter mat, synthetic fibre
3	1	Self-adhesive fixings

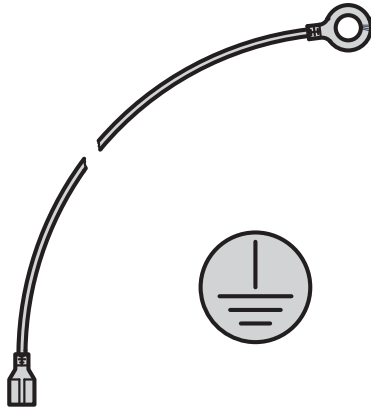
### ORDER INFORMATION

For case width	Air filter	Replacement filter 1 piece
HP	Part no.	Part no.
28	<b>24571-325</b>	<b>64571-033</b>
42	<b>24571-326</b>	<b>64571-034</b>
63	<b>24571-327</b>	<b>64571-035</b>
84	<b>24571-328</b>	<b>64571-036</b>

- To optimise the air supply, tip-up feet must be fitted to the case, see page 5.23

# Desk-top cases – RatiopacPro/ -air

## EARTHING KIT



aza43284

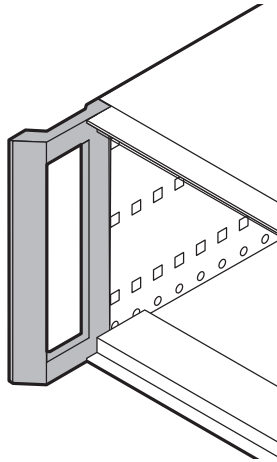
- Forms the GND/earthing connections between side panels, base plate, top cover and rear panel
- Protective GND/earthing connections in accordance with:
  - DIN EN 50178/VDE 0160
  - DIN EN 60950/VDE 0805
  - DIN EN 61010-1/VDE 0411 part 1
  - DIN EN 61010-1A2/VDE 0411 part 1/A1
- VDE tested

### ORDER INFORMATION

Description	Part no.
GND/earthing kit, Cu wire 1.5 mm <sup>2</sup> , PVC sleeve, green/yellow	<b>24571-380</b>

# Desk-top cases – RatiopacPro

## FRONT HANDLES FOR RETROFITTING


RPPR6651

- For conversion of cases with cover strip, 19" mounting bracket or 19" mounting bracket with front handle

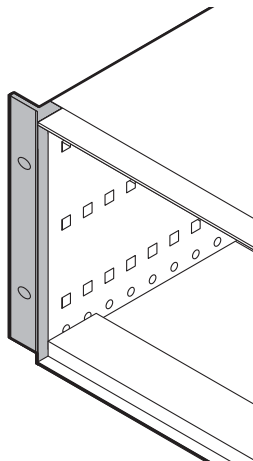
### DELIVERY COMPRISES

Item	Qty	Description
1	2	Front handle, Al die-cast, powder-coated, RAL 7016

### ORDER INFORMATION

Front handle for	Part no.
RatiopacPRO 3 U	<b>24571-301</b>
RatiopacPRO 4 U	<b>24571-302</b>
RatiopacPRO 5 U	24571-993
RatiopacPRO 6 U	<b>24571-303</b>
RatiopacPRO air 3/4 U	<b>24571-304</b>
RatiopacPRO air 4/5 U	<b>24571-305</b>
RatiopacPRO air 6/7 U	<b>24571-306</b>

## 19" MOUNTING BRACKETS FOR RETROFITTING


RPPR6652

- For conversion of cases with cover strip, front handle or 19" mounting bracket with front handle

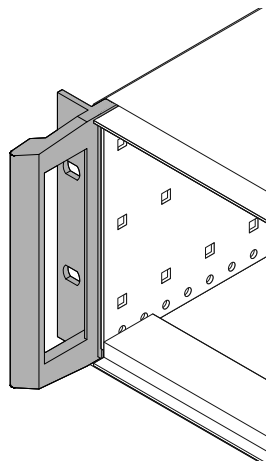
### DELIVERY COMPRISES

Qty	Description
2	19" mounting bracket, Al diecast, powder-coated, RAL 7016

### ORDER INFORMATION

19" mounting angle	Part no.
RatiopacPRO 2 U	<b>24571-994</b>
RatiopacPRO 3 U	<b>24571-295</b>
RatiopacPRO 4 U	<b>24571-296</b>
RatiopacPRO 5 U	<b>24571-992</b>
RatiopacPRO 6 U	<b>24571-297</b>
RatiopacPRO air 4 U	<b>24571-298</b>
RatiopacPRO air 5 U	<b>24571-299</b>
RatiopacPRO air 7 U	<b>24571-300</b>

## 19" MOUNTING BRACKET WITH FRONT HANDLE FOR CONVERSION


01813056

- For conversion of cases with cover strip, front handle or 19" mounting bracket

### DELIVERY COMPRISES

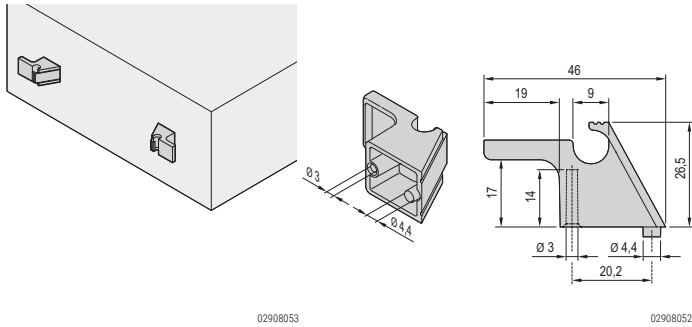
Qty	Description
2	19" mounting bracket with front handle, Al diecast, powder-coated, RAL 7016

### ORDER INFORMATION

19" mounting angle	Part no.
RatiopacPRO 2 U	<b>24572-700</b>
RatiopacPRO 3 U	<b>24572-701</b>
RatiopacPRO 4 U	<b>24572-702</b>
RatiopacPRO 6 U	<b>24572-704</b>
RatiopacPRO air 4 U	<b>24572-705</b>
RatiopacPRO air 7 U	<b>24572-707</b>

# Desk-top cases – RatiopacPro/ -air

## CABLE HOLDER



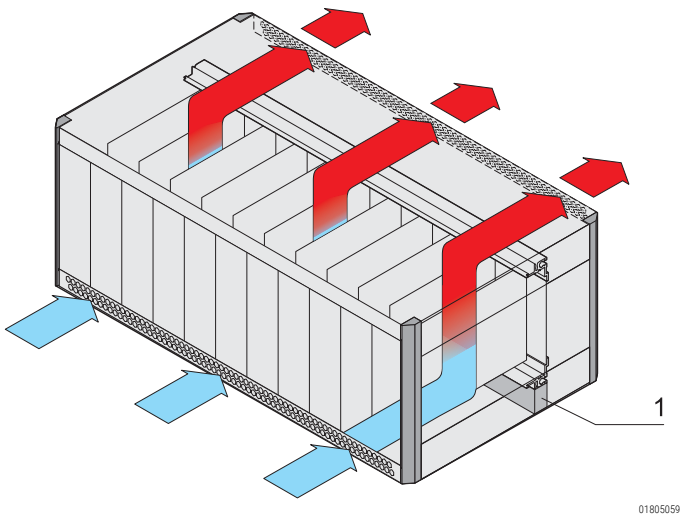
### DELIVERY COMPRISES

Item	Qty	Description
1	2	Cable bracket, ABS, UL V-94 0, RAL 7016, detent for cables between 8 mm and 12 mm
2	1	Drilling template, two drilled holes each per bracket are needed in rear panel
3	1	Assembly kit

### ORDER INFORMATION

Description	Part no.
Cable holder	<b>24575-800</b>

## AIR BAFFLES FOR RATIOPACPRO AIR



- The air baffle (item 1) closes the space (1/2 U) between the rear horizontal rail and base plate

### DELIVERY COMPRISES (in kit form)

Item	Qty	Description
1	1	Compartment seal, PE foam, UL 94 HF 1 + HF 2, self-adhesive, temperature range: -40 °C ... +85 °C

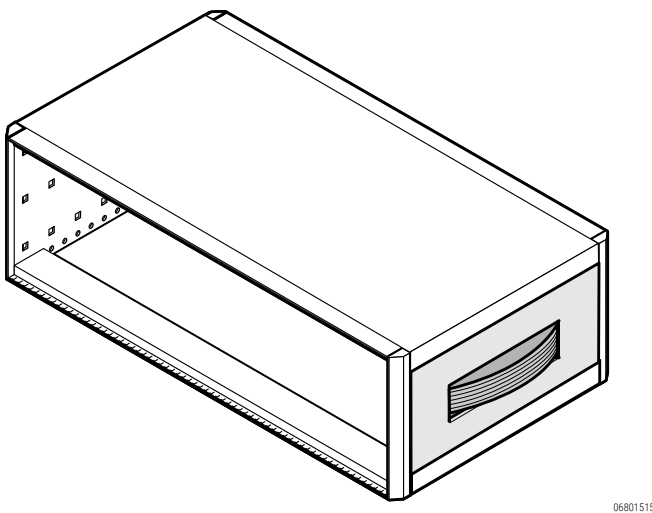
### ORDER INFORMATION

For case width HP	Length mm	Part no.
42	218.4	<b>20833-351</b>
63	325.1	<b>20833-352</b>
84	431.8	<b>20833-353</b>

### NOTE

- Fan rear panel available on request
- Radial fan unit see page 5.17

## STRAP HANDLES



- Retrofittable without mechanical modifications to the case
- Static load-carrying capacity 20 kg

### DELIVERY COMPRISES (kit)

Item	Qty	Description
1	1	Handle, steel spring, plastic-sheathed (flexible plastic), RAL 7016
2	1	Side plate, Al, visible surfaces powder-coated, RAL 9006
3	2	Adaptor, Al die-cast
4	1	Assembly kit

### ORDER INFORMATION

For case depth mm	For case height 3 U, 4 U air Part no.	For case height 4 HE, 5 U air Part no.
315	<b>24571-308</b>	<b>24571-314</b>
375	<b>24571-309</b>	<b>24571-315</b>
435	<b>24571-310</b>	<b>24571-316</b>

# Desk-top cases – RatiopacPro/ -air

## TIP-UP CARRYING HANDLES



06803006

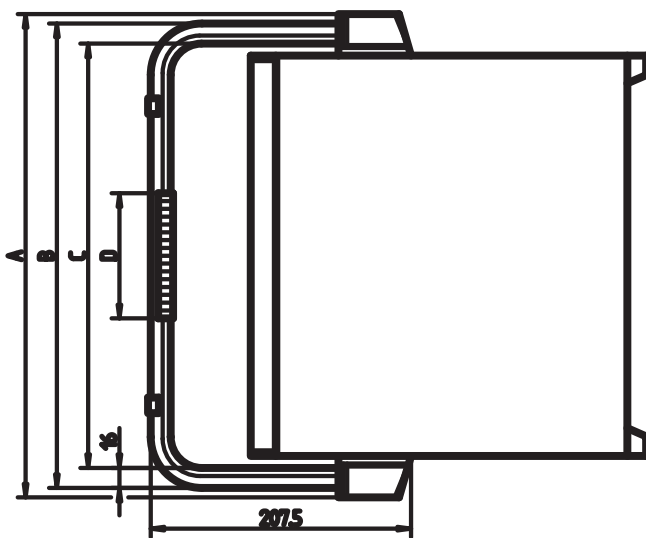
- Retrofittable without mechanical modifications to the case
- Adjustable in 30° increments
- Static load-carrying capacity 30 kg

### DELIVERY COMPRISES (kit)

Item	Qty	Description
1	1	Carrying bar, Al extrusion, powder coated, RAL 9006
2	1	Handle shell, ABS, UL 94 V-0, RAL 7016
3	2	Tip-up protection, ABS, UL 94 V-0, RAL 7016
4	2	Notch device, Al die-cast
5	2	Cover cap, ABS, UL 94 V-0, RAL 7016

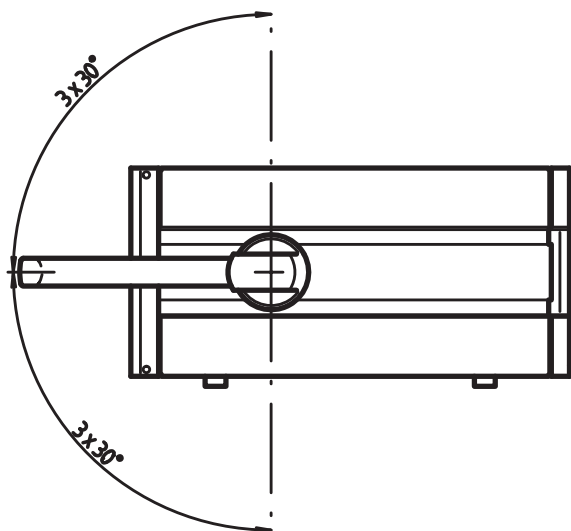
### ORDER INFORMATION

For case height	For case width	For case depth	Tip-up carrying handle	Assembly kit
U	HP	mm	Part no.	Part no.
3, 4-air	42	255	<b>24571-320</b>	<b>24571-352</b>
3, 4-air	42	315	<b>24571-320</b>	<b>24571-353</b>
3, 4-air	42	375	<b>24571-320</b>	<b>24571-354</b>
3, 4-air	42	435	<b>24571-320</b>	<b>24571-355</b>
3, 4-air	42	495	<b>24571-320</b>	<b>24571-356</b>
<b>3, 4-air</b>	<b>63</b>	<b>255</b>	<b>24571-321</b>	<b>24571-352</b>
3, 4-air	63	315	<b>24571-321</b>	<b>24571-353</b>
3, 4-air	63	375	<b>24571-321</b>	<b>24571-354</b>
3, 4-air	63	435	<b>24571-321</b>	<b>24571-355</b>
<b>3, 4-air</b>	<b>63</b>	<b>495</b>	<b>24571-321</b>	<b>24571-356</b>
3, 4-air	84	255	<b>24571-322</b>	<b>24571-352</b>
3, 4-air	84	315	<b>24571-322</b>	<b>24571-353</b>
3, 4-air	84	375	<b>24571-322</b>	<b>24571-354</b>
3, 4-air	84	435	<b>24571-322</b>	<b>24571-355</b>
3, 4-air	84	495	<b>24571-322</b>	<b>24571-356</b>
4, 5-air	42	255	<b>24571-320</b>	<b>24571-359</b>
4, 5-air	42	315	<b>24571-320</b>	<b>24571-360</b>
4, 5-air	42	375	<b>24571-320</b>	<b>24571-361</b>
4, 5-air	42	435	<b>24571-320</b>	<b>24571-362</b>
4, 5-air	42	495	<b>24571-320</b>	<b>24571-363</b>
4, 5-air	63	255	<b>24571-321</b>	<b>24571-359</b>
4, 5-air	63	315	<b>24571-321</b>	<b>24571-360</b>
4, 5-air	63	375	<b>24571-321</b>	<b>24571-361</b>
4, 5-air	63	435	<b>24571-321</b>	<b>24571-362</b>
4, 5-air	63	495	<b>24571-321</b>	<b>24571-363</b>
4, 5-air	84	255	<b>24571-322</b>	<b>24571-359</b>
4, 5-air	84	315	<b>24571-322</b>	<b>24571-360</b>
4, 5-air	84	375	<b>24571-322</b>	<b>24571-361</b>
4, 5-air	84	435	<b>24571-322</b>	<b>24571-362</b>
4, 5-air	84	495	<b>24571-322</b>	<b>24571-363</b>



RPA43897

For case height	For case width	A	B	C	D
U	HP	mm	mm	mm	mm
3, 4, 4-air, 5-air	42	283,4	279,4	247,4	115
3, 4, 4-air, 5-air	63	390,1	386,1	354,1	195
3, 4, 4-air, 5-air	84	496,8	492,8	460,8	195



rpa43898

### NOTE

- Cannot be used in conjunction with front handles
- Assembly kit is required for tip-up carrying handle, please order separately