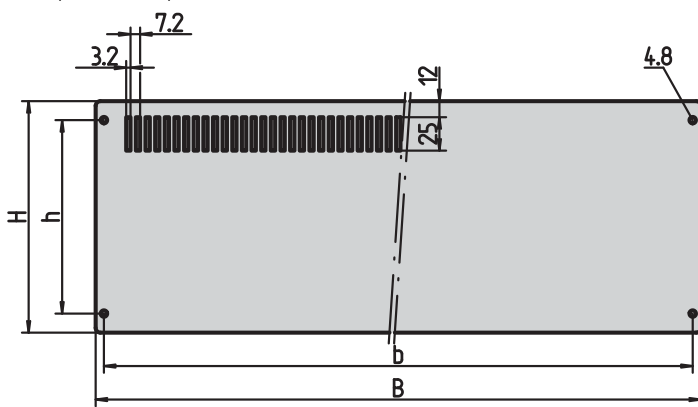


# Desk-top cases – CompacPRO

## FRONT PANEL AND REAR PANEL



Rear panel/front panel



02005001

CPA30656

- Front panels and rear panels are screwed on front or rear frame of case

### DELIVERY COMPRISES (kit)

Item	Qty	Description
1	1	Rear panel with 4 rows of ventilation slots, Al, anodised, cut edges plain; 28, 42, 63 HP = 2 mm thick; 84 HP = 2.5 mm thick
2	1	Front panel, Al, anodised, cut edges plain, 3 mm thick

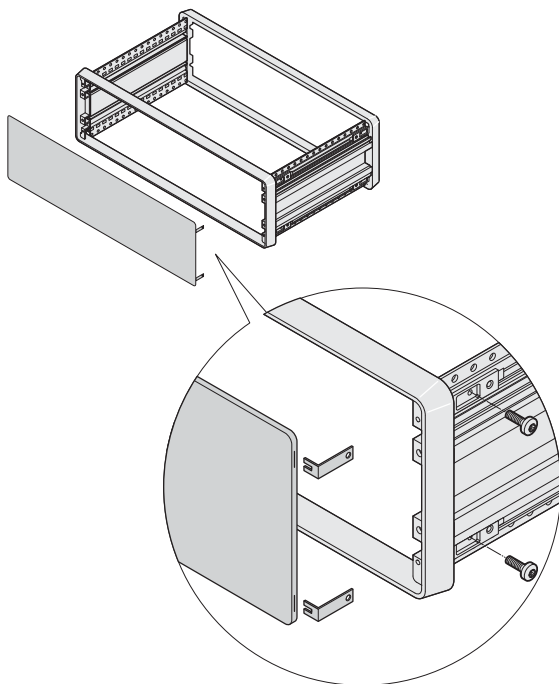
### ORDER INFORMATION

Height U	Width HP	Height H mm	Height h mm	Width B mm	Width b mm	Rear panel Part no.	Front panel Part no.
2	42	84	66	238.7	226.3	<b>30823-015</b>	<b>30823-209</b>
2	84	84	66	452.1	439.7	<b>30823-512</b>	<b>30823-215</b>
3	28	128.4	100	167.5	155.1	<b>30823-021</b>	<b>30823-254</b>
3	42	128.4	100	238.7	226.3	<b>30823-024</b>	<b>30823-257</b>
3	63	128.4	100	345.4	333.1	<b>30823-027</b>	<b>30823-224</b>
3	84	128.4	100	452.1	439.7	<b>30823-515</b>	<b>30823-260</b>
4	42	172.9	144.5	238.7	226.3	<b>30823-033</b>	<b>30823-269</b>
4	63	172.9	144.5	345.4	333.1	<b>30823-036</b>	<b>30823-227</b>
4	84	172.9	144.5	452.1	439.7	<b>30823-518</b>	<b>30823-272</b>
6	63	261.8	233.4	345.4	333.1	<b>30823-045</b>	<b>30823-230</b>
6	84	261.8	233.4	452.1	439.7	<b>30823-521</b>	<b>30823-284</b>

### NOTE

- Assembly kit to fix one rear and one front panel is included with the case
- Cable holder and rear feet, see from page 5.81

## FRONT PANEL/REAR PANEL WITH HIDDEN FIXING



02004061

### DELIVERY COMPRISES (kit)

Item	Qty	Description
1	1	Front panel, Al, anodised, cut edges plain, 2.5 mm
2	4	Fixing bracket

### ORDER INFORMATION

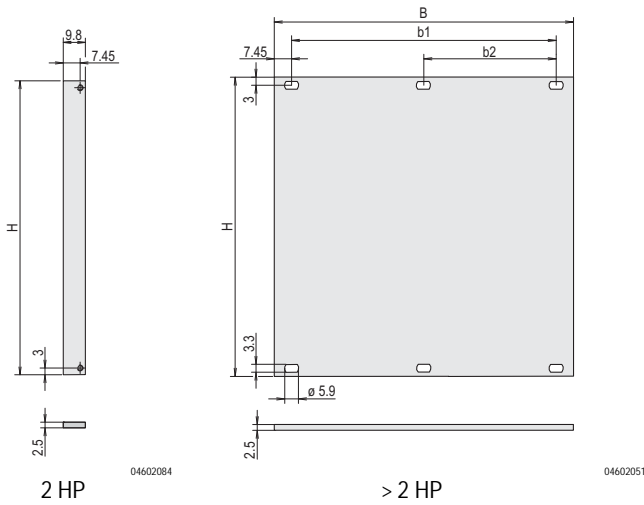
Height U	Width HP	Height H mm	Height h mm	Width B mm	Width b mm	Part no.
2	42	84.0	66.0	238.7	226.3	<b>24575-035</b>
2	84	84.0	66.0	452.1	439.7	<b>24575-075</b>
3	28	128.4	100.0	167.5	155.1	<b>24575-115</b>
3	42	128.4	100.0	238.7	226.3	<b>24575-135</b>
3	63	128.4	100.0	345.4	333.1	<b>24575-155</b>
3	84	128.4	100.0	452.1	439.7	<b>24575-175</b>
4	42	172.9	144.5	238.7	226.3	<b>24575-235</b>
4	63	172.9	144.5	345.4	333.1	<b>24575-255</b>
4	84	172.9	144.5	452.1	439.7	<b>24575-275</b>
6	63	261.8	233.4	345.4	333.1	<b>24575-455</b>
6	84	261.8	233.4	452.1	439.7	<b>24575-475</b>

### NOTE

- Cable holder and rear feet see from page 5.81

# Modules – Front panels

## FRONT PANELS, UNSHIELDED



- Front panel, Al, 2.5 mm
- Versions:
  - Al, anodised
  - Al, anodised, cut edges plain
  - Al, front anodised, rear iridescent green chromated

### NOTE

- Other sizes and finishes available on request
- Please order fixing material separately, see chapter Assembly parts, page 7.107

### ORDER INFORMATION

Height	H	Width	B	b1	b2	Qty	Anodised, cut edges plain	Anodised	Front anodised, rear colorless chromated
U	mm	HP	mm	mm	mm	1)	Part no.	Part no.	Part no.
1	39.5	84	426.4	411.5	203.2	1	–	–	20850-426
2	84.0	84	426.4	411.5	203.2	1	30818-271	30807-416	30847-461
3	128.4	2	9.8	–	–	1 (SPQ 5) <sup>1)</sup>	30810-433	30810-432	30847-470
3	128.4	3	14.9	–	–	1 (SPQ 5) <sup>1)</sup>	30818-272	30807-508	30847-471
3	128.4	4	20.0	–	–	1 (SPQ 5) <sup>1)</sup>	30818-273	30807-481	30838-043
3	128.4	5	25.0	–	–	1 (SPQ 5) <sup>1)</sup>	30818-274	30807-510	30838-044
3	128.4	6	30.1	–	–	1 (SPQ 5) <sup>1)</sup>	30818-275	30807-482	30838-045
3	128.4	7	35.2	–	–	1 (SPQ 5) <sup>1)</sup>	30818-276	30807-509	30838-046
3	128.4	8	40.3	25.4 <sup>2)</sup>	–	1 (SPQ 5) <sup>1)</sup>	30818-277	30807-484	30838-047
3	128.4	10	50.5	35.6	–	1 (SPQ 5) <sup>1)</sup>	30818-279	30807-483	30838-049
3	128.4	12	60.6	45.7	–	1 (SPQ 5) <sup>1)</sup>	30818-281	30807-485	30838-051
3	128.4	14	70.8	55.9	–	1 (SPQ 5) <sup>1)</sup>	30818-282	30807-501	30838-053
3	128.4	21	106.3	91.4	–	1 (SPQ 5) <sup>1)</sup>	30818-289	30807-487	30838-060
3	128.4	28	141.9	127.0	–	1 (SPQ 5) <sup>1)</sup>	30818-296	30807-496	30838-067
3	128.4	42	213.0	198.1	101.6 <sup>2)</sup>	1	30818-310	30807-494	30838-081
3	128.4	63	319.7	304.8	157.5	1	30818-331	30808-067	30838-102
3	128.4	84	426.4	411.5	203.2	1	30818-352	30807-506	30838-123
4	172.9	84	426.4	411.5	203.2	1	30818-434	30807-596	30847-465
6	261.8	2	9.8	–	–	1 (SPQ 5) <sup>1)</sup>	30818-747	30818-741	30847-472
6	261.8	4	20.0	–	–	1 (SPQ 5) <sup>1)</sup>	30818-518	30807-778	30838-124
6	261.8	5	25.0	–	–	1 (SPQ 5) <sup>1)</sup>	30818-519	30807-777	30838-125
6	261.8	6	30.1	–	–	1 (SPQ 5) <sup>1)</sup>	30818-520	30807-752	30838-126
6	261.8	7	35.2	–	–	1 (SPQ 5) <sup>1)</sup>	30818-521	–	30838-127
6	261.8	8	40.3	25.4 <sup>2)</sup>	–	1 (SPQ 5) <sup>1)</sup>	30818-522	30807-779	30838-128
6	261.8	10	50.5	35.6	–	1 (SPQ 5) <sup>1)</sup>	30818-524	30807-753	30838-130
6	261.8	12	60.6	45.7	–	1 (SPQ 5) <sup>1)</sup>	30818-526	30807-755	30838-132
6	261.8	14	70.8	55.9	–	1 (SPQ 5) <sup>1)</sup>	30818-528	30807-758	30838-134
6	261.8	16	80.9	66.0	–	1 (SPQ 5) <sup>1)</sup>	30818-530	30807-780	30838-136
6	261.8	21	106.3	91.4	–	1 (SPQ 5) <sup>1)</sup>	30818-535	30807-757	30838-141
6	261.8	28	141.9	127.0	–	1 (SPQ 5) <sup>1)</sup>	30818-542	30807-766	30838-148
6	261.8	42	213.0	198.1	101.6 <sup>2)</sup>	1	30818-556	30807-764	30838-162
6	261.8	63	319.7	304.8	157.5	1	30818-577	30807-771	30838-183
6	261.8	84	426.4	411.5	203.2	1	30818-598	30807-776	30838-204
9	395.1	84	426.4	411.5	203.2	1	–	–	30847-556

1) SPQ (standard pack quantity): Part number includes 1 piece, but delivery is exclusively made in standard pack quantity (SPQ); please order at least the SPQ quantity or a multiple

2) This dimension is only available for "front anodised, rear iridescent green chromated" version

- Please order fixing material (sleeves, collar screws) separately, see page 7.107