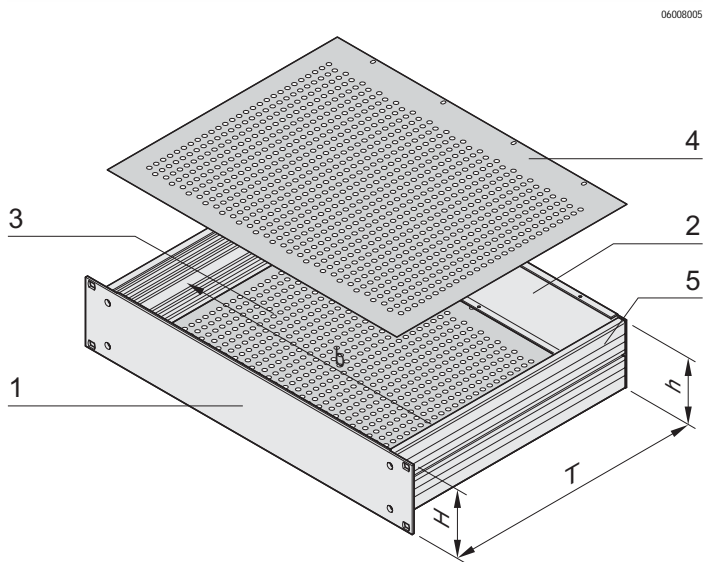


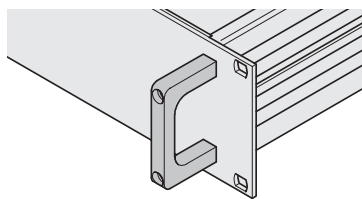
# 19" chassis – MultipacPRO

## 19" COMPLETE CHASSIS FROM ALUMINIUM WITH PERFORATED TOP COVER AND BASE PLATE



h = clear height (overall) (H - 8.1 mm)  
width = 403 mm

b = clear installation



Front handle

06002052

06008005

06008051

- Complete chassis from aluminium
- Detachable rear panel for easy machining
- In the 1 U version 19" and ATX power supplies can be assembled up to a clearance of 35 mm
- EMC shielding of approx. 30 dB(A) at 1 GHz (without additional shielding material)
- In accordance with standard IEC 60297-3-100, -101, -105

### DELIVERY COMPRISES (kit)

Item	Qty	Description
1	1	Front panel, Al extrusion, 3 mm; in 1 U: front anodised, rear etched; from 2 U: front and rear side of front panels clear passivated
2	1	Rear panel, Al, 2 mm, etched
3	1	Base plate, perforated, Al, 1 mm
4	1	Cover plate, perforated, Al, 1 mm
5	2	Side panel, Al extrusion, raw; with grooves for threaded insert (2 × 7); 5 U, two-piece, 3+2 U
6	1	Assembly kit

### ORDER INFORMATION

Height U	Height H mm	Depth T mm	Part no.
1	43.7	220	20860-621
1	43.7	280	20860-622
2	88.1	280	20860-625
2	88.1	340	20860-626
3	132.6	280	20860-627
3	132.6	340	20860-628
3	132.6	400	20860-629
4	177.0	340	20860-632
4	177.0	400	20860-633
4	177.0	460	20860-634
5	221.5	460	20860-635
EMC gasketing kit Silicone/nickel gasket 2100 mm for contacting side panel/cover plate; seal, stainless steel, for front panel/cover plate, 1 kit			20860-130
Front handles incl. assembly kit for 1 U, Al extrusion, anodised, PU 2 pieces			20860-256
Front handles incl. assembly kit for 2 U, Al extrusion, anodised, PU 2 pieces			20860-257
Front handles incl. assembly kit for 3 U, Al extrusion, anodised, PU 2 pieces			20860-258
Front handles incl. assembly kit for 4 U, Al extrusion, anodised, PU 2 pieces			20860-259
Front handles incl. assembly kit for 5 U, Al extrusion, anodised, PU 2 pieces			20860-260

### NOTE

- Threaded inserts to push into the side panel see page 6.121
- Telescopic slides to mount into cabinet see page 6.125