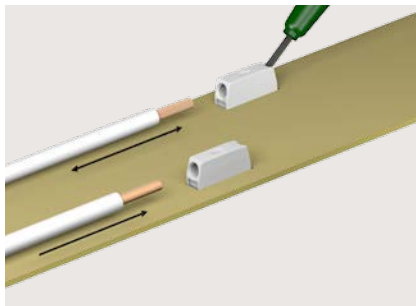
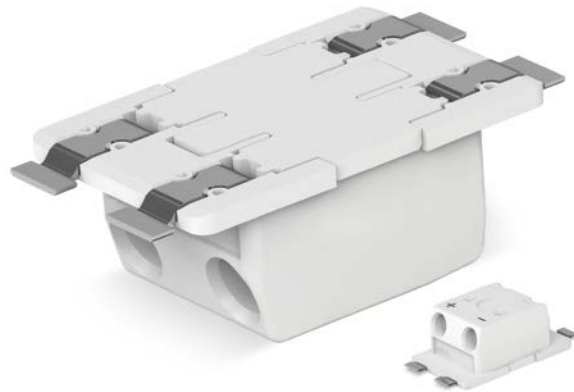


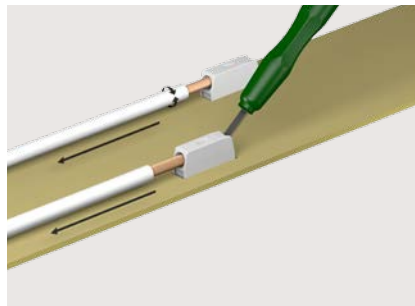
# 2070 SERIES

## For Back-Side Wiring of LED Modules

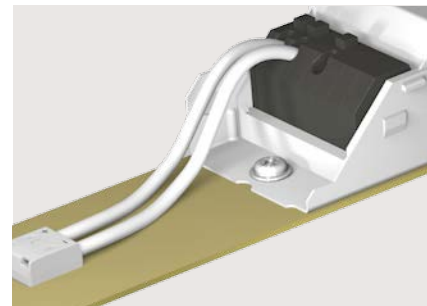
- Shift wiring to the back of the LED modules
- Low profile of just 1.1 mm on top of the PCB minimizes shadowing
- Easy pick-and-place assembly and minimum shadowing via optional cover
- Optional marking of the clamping point helps prevent wiring errors
- Clearance and creepage distances for use up to 500 V per EN 60598-1
- For manual and automated wiring systems



Insert fine-stranded conductors – and remove all conductor types – via operating tool. Connect solid conductors via push-in termination.

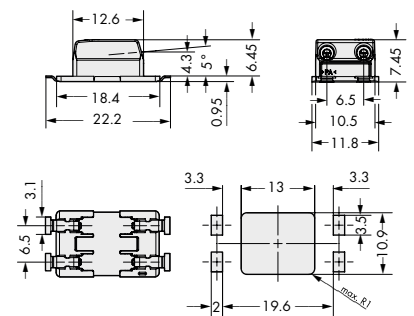


Use an operating tool (2070-400) or simply “twist and pull” to remove solid conductors.



Shift wiring to the back of the LED modules via 2070 Series SMD PCB Terminal Blocks.

2070 Series					
Technical Data			Conductor Data		
Ratings per	IEC/EN 60664-1			Connection technology	Push-in CAGE CLAMP®
Overvoltage category	III	III	II	Conductor range: solid	0.2 ... 0.75 mm <sup>2</sup>
Pollution degree	3	2	2	Conductor range: fine-stranded	0.2 ... 0.75 mm <sup>2</sup>
Rated voltage*	320 V	320 V	630 V		
Rated surge voltage	4 kV	4 kV	4 kV		
Rated current	9 A	9 A	9 A		
				AWG	24 ... 18
				Strip length	8.5 ... 10 mm / 0.3 inch
Pole No.	Item No.				
Through-board SMD PCB terminal blocks with cover					Reel diameter: 330 mm
1	2070-461/998-406				
2	2070-462/998-406				
3	2070-463/998-406				



**Note:** Go to our online shop to find more variants without cover and with pole marking.