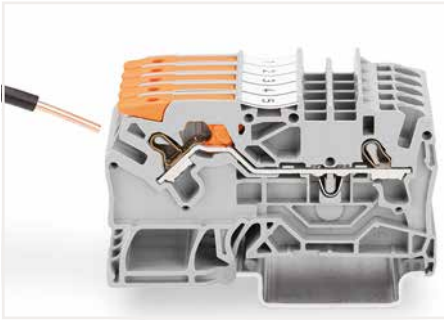
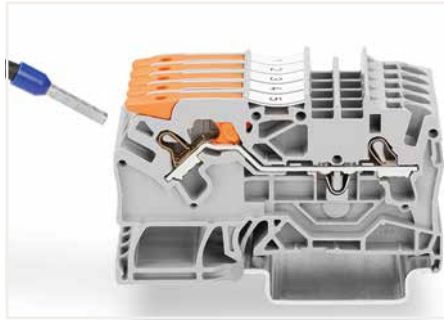


Rail-Mount Terminal Blocks TOPJOB® S; with Levers and Push-in CAGE CLAMP® 2102, 2106, 2110 and 2116 Series Description and Installation

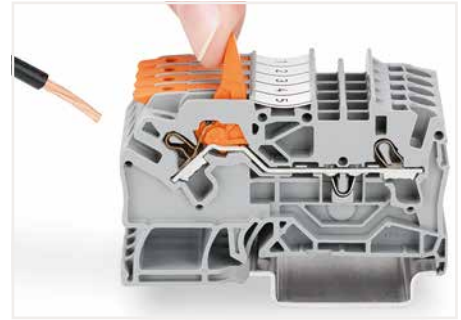
1



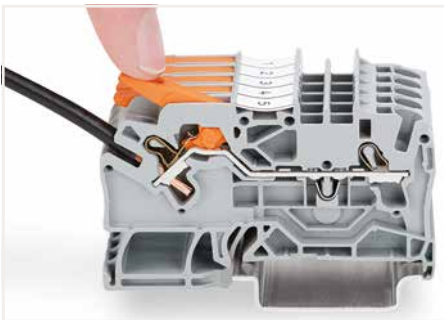
Push-in termination of solid conductors



Push-in termination of fine-stranded conductors with ferules



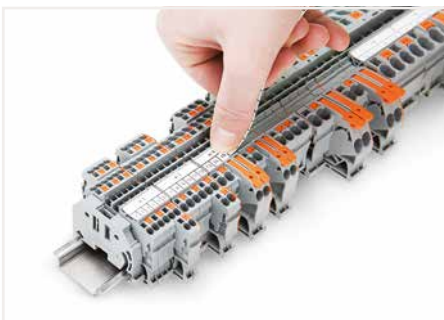
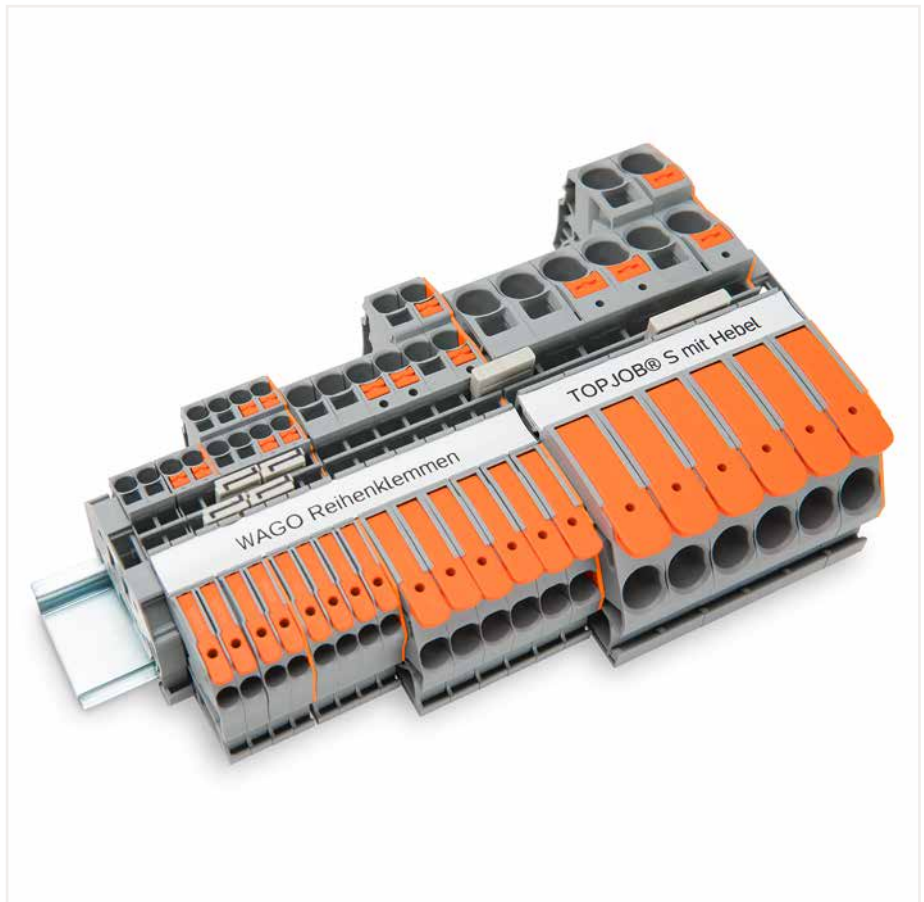
Pull the lever up until it stops, then connect the fine-stranded conductor.



Push the lever back down – done!



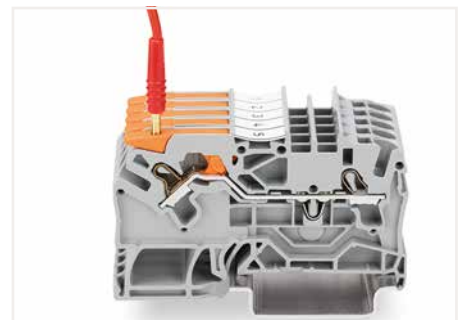
Insert push-in type jumper bar and push down until it hits backstop.



Snapping a marking strip into the marker slot.



Snapping a marking strip into the marker slot.



Testing with a 2 mm Ø test plug (max. 42 V).



Push-in CAGE CLAMP® terminates the following copper conductors: solid "s"



stranded "st"



fine-stranded "f-st", also with tinned single strands

PUSH-IN CAGE CLAMP®

Rail-Mount Terminal Blocks TOPJOB® S; with Push-Buttons and Push-in CAGE CLAMP®

2200 to 2216 Series

Description and Installation

1



Push-in termination of solid and ferruled conductors



Insert fine-stranded conductors via operating tool.



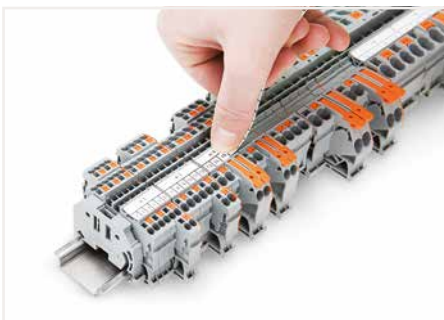
Removing all conductors via operating tool.



Insert push-in type jumper bar and push down until it hits backstop.



Commoning with step-down jumpers.



Snapping a marking strip into the marker slot.



Snapping a marking strip into the marker slot.



Testing with a 2 mm Ø test plug (max. 42 V).



fine-stranded, tip-bonded



fine-stranded, with ferrule (gastight crimped)



fine-stranded, with pin terminal (gastight crimped)