



RatiopacPRO Style

10/2023



Desk-top cases – RatiopacPRO Style

OVERVIEW

MAIN KATALOG

- Cabinets 1
- Wall mounted cases 2
- Accessories for cabinets and wall mounted cases . . 3
- Climate control . . 4
- Electronics cases 5
- Subracks/ 19" chassis 6
- Front panels, plug-in units 7
- Systems 8
- Power supply units 9
- Backplanes 10
- Connectors, front panel component system 11
- Appendix 12

VARIETY OF FRONT AND REAR OPTIONS

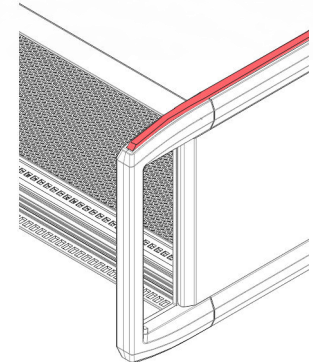
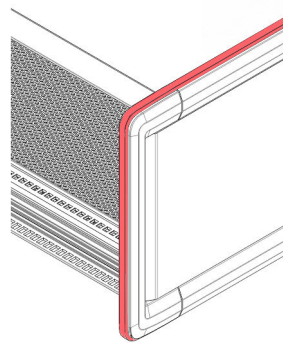
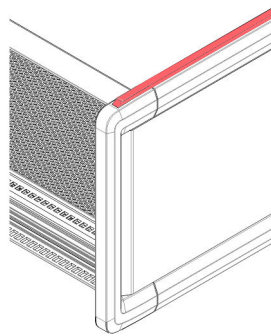
- Three different front and rear options embedded into the frame design, to provide a high level of protection and usability.



Version with Trim

Version with Trim, Circulating

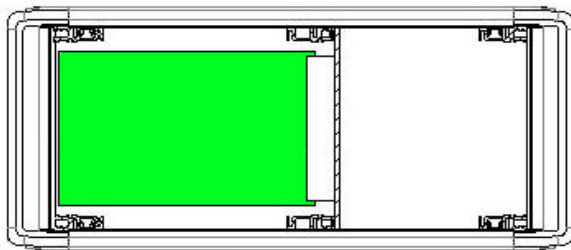
Version with Handle



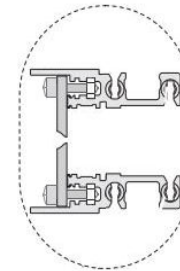
RatiopacPRO Style

Designed for insertion/extractor handles in accordance with IEC 60297-3-102 and IEEE 1101.10 for CompactPCI and VME64x applications

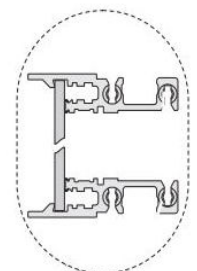
In addition to the front screwed front panels, also pre-configured version for a screwless front panels versions are offered for a clean case design.



Standard Version:



Screwless Version:



STANDARDS

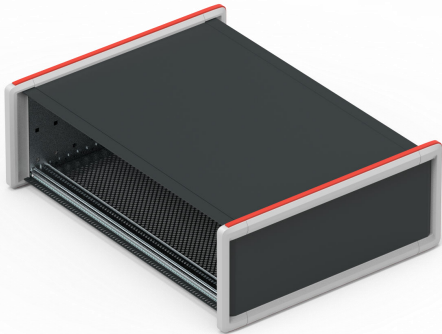
- Inner dimensions in accordance with:
IEC 60297-3-101 / IEEE 1101.1
IEC 60297-3-102 / IEEE 1101.10/11
- For board depth 160 mm, 220 mm, 280 mm, and 340 mm
- Type of protection IP30 (with front- and rear panel) in accordance with IEC 60529
- Earthing connections in accordance with:
DIN EN 50178 / VDE 0160
DIN EN 62368-1 / VDE 0805
DIN EN 61010-1 / VDE 0411 part 1
- EMC testing in accordance with VG 95373 part 15

Desk-top cases – RatiopacPRO Style

OVERVIEW

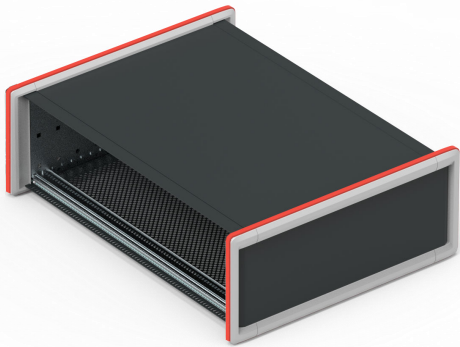
THE STYLISH CASE TO PROVIDE MAXIMUM FLEXIBILITY

- Desktop case with protective frame design and rubber strips
- Leverage proven platform to streamline the design process and minimize risks and delays.
- Achieve distinctive aesthetics through features like protective elements and stackability.
- Case for 19" components (guide rails) or proprietary components (mounting plate).
- For EMC-shielding, additional components need to be added, please refer to page 5.159
- No visible screws; cladding parts removable without tools



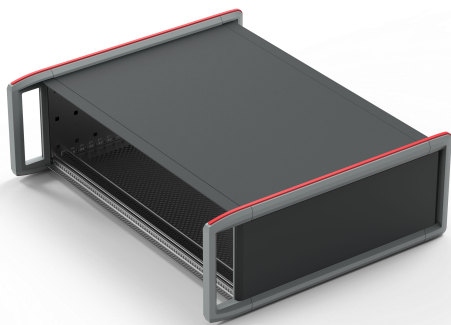
RatiopacPRO Style - Front and Rear Trims / Top & Bottom Rubber Strip

- Trim frame design on front and rear of desktop case for protection of connectors, jacks or plugs, when equipment is positioned vertically.
- Removeable rubber strip bottom and top of desktop case for extra protection of case and integrated stacking function



RatiopacPRO Style - Front and Rear Trims / Circulated Rubber Strip

- Trim frame design on front and rear of desktop case for protection of connectors, jacks or plugs, when equipment is positioned vertically.
- Non-Removable rubber strip all around the case to protect all corners, ideal for smaller mobile cases



RatiopacPRO Style - Front Handle and Rear Trims / Top & Bottom Rubber Strip

- Front handle frame design on front to easy carry desktop cases, ideal for larger equipment
- Trim frame design on rear to protect rear connectors, jacks or plugs
- Removeable rubber strip bottom and top of desktop case for extra protection of case and integrated stacking function

Accessories

All accessories are compliant with RatiopacPRO Style, RatiopacPRO and RatiopacPRO Air

SERVICEPLUS

- e.g. modifications (cut-outs, special colours)
- e.g. custom solutions (special sizes)
- e.g. assembly service from 1 piece

Overview 5.151

RatiopacPRO Style

Front-/ Rear Trim 5.152

Circulating Rubber Strip .5.154

Front Handle/Rear Trim 5.156

Dimension Drawings 5.157

Accessories

EMC gasketing 5.159

Rear panels 5.161

Front panels 5.163

GND/earthing kit. 5.163

Air filters 5.164

Air Baffle for Slots 5.164

Horizontal rails front. . . . 5.166

Horizontal rails rear. 5.167

Horizontal rails rear centre 5.168

Horizontal rails AB. 5.169

Threaded inserts,
perforated strips,
insulation strips 5.170

Z-rails, perforated rails. . 5.170

Assembly material, tools. 5.171

Divider plates 5.172

Mounting plates 5.173

Horizontal board

assembly 5.174

Combined mounting 5.175

Guide rails and ESD. 5.176

Service Plus:

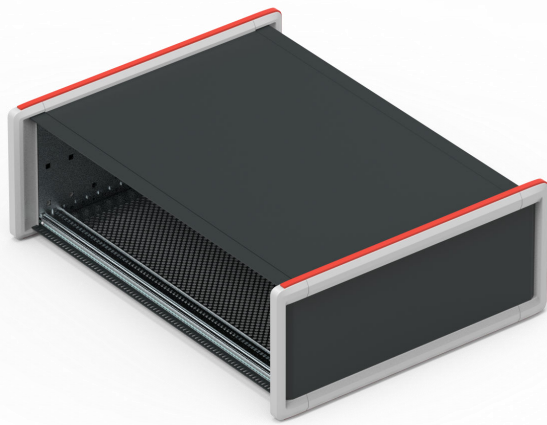
Configurator. 5.182

Modifications 5.183

Case Introduction 5.184

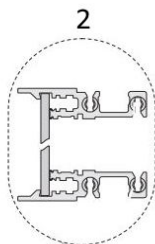
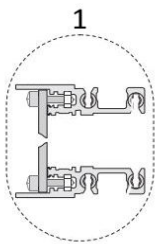
Desk-top cases – RatiopacPRO Style

RatiopacPRO Style Case

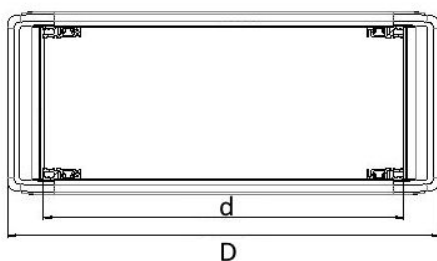
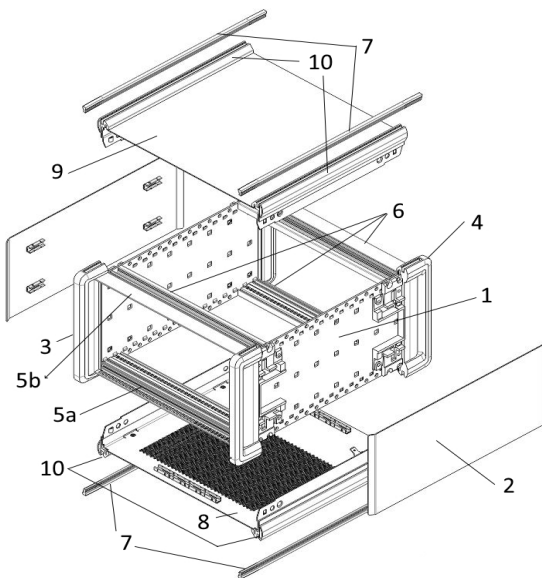


Standard Version:

Screwless Version:



Delivery Comprise



Version with Trims front and rear side

- Desktop case with protective frame design and rubber strips on the top and bottom for a secure stand and with integrated stacking function
- Case for 19" components (guide rails) or proprietary components (mounting plate).
- To establish EMC-shielding, additional components need to be added out of page 5.159 to the enclosure.
- Available in two versions:
Standard (1) - Front and rear side prepared for front panel mounting with collar screws and sleeves.
Screwless (2) - Front side for front panel mounting without screws and rear side prepared for standard front panel mounting.

DELIVERY COMPRISES (in kit form)

Item	Qty		Description
	Standard	Screwless	
1	2	2	Side panel, Al, 2 mm, passivated
2	2	2	Side cover, Al, 1 mm, visible surface RAL 7016
3	2	2	Front Trim, die-cast zinc, RAL 9006
4	2	2	Rear Trim, die-cast zinc, RAL 9006
5a	1	-	Horizontal rail, type H-LD, Al, visible surfaces powder coated, RAL 7016, assembled on front side bottom, for IEEE application
5b	-	2	Horizontal rail, type H-LD, Al, visible surfaces powder coated, RAL 7016, assembled on front side bottom, for screwless front
6	3	2	Horizontal rail, type H-LD, Al, visible surfaces powder coated, RAL 7016,
7	4	4	Rubber strip, RAL 3000
8	1	1	Bottom cover with round perforation Ø 2.3mm, Al, 1 mm, internal surface conductive, visible surface RAL 7016, with GND/earthing connection
9	1	1	Top cover, Al 1 mm, Surface RAL 7016, with GND/earthing connection
10	4	4	Depth profile, Al-profile, RAL 9006
11	1	1	Fixing materials kit and user manual

ORDER INFORMATION

Height H	Width W	Depth D	Depth d	Standard	Screwless
U	HP	mm	mm	Part no.	Part no.
2	28	294.4	235.5	24582-210 (*)	24582-214 (*)
2	28	354.4	295.5	24582-211 (*)	24582-215 (*)
2	42	294.4	235.5	24582-220 (*)	24582-224 (*)
2	42	354.4	295.5	24582-221 (*)	24582-225 (*)
2	42	414.4	355.5	24582-222 (*)	24582-226 (*)
2	63	294.4	235.5	24582-230 (*)	24582-234 (*)
2	63	354.4	295.5	24582-231 (*)	24582-235 (*)
2	63	414.4	355.5	24582-232 (*)	24582-236 (*)
2	84	294.4	235.5	24582-240 (*)	24582-244 (*)
2	84	354.4	295.5	24582-241 (*)	24582-245 (*)
2	84	414.4	355.5	24582-242 (*)	24582-246 (*)
2	84	474.4	415.5	24582-243 (*)	24582-247 (*)
3	28	294.4	235.5	24582-310	24582-314
3	28	354.4	295.5	24582-311	24582-315
3	42	294.4	235.5	24582-320	24582-324
3	42	354.4	295.5	24582-321	24582-325
3	42	414.4	355.5	24582-322	24582-326
3	63	294.4	235.5	24582-330	24582-334
3	63	354.4	295.5	24582-331	24582-335
3	63	414.4	355.5	24582-332	24582-336
3	84	294.4	235.5	24582-340	24582-344
3	84	354.4	295.5	24582-341	24582-345
3	84	414.4	355.5	24582-342	24582-346
3	84	474.4	415.5	24582-343	24582-347

Remark:

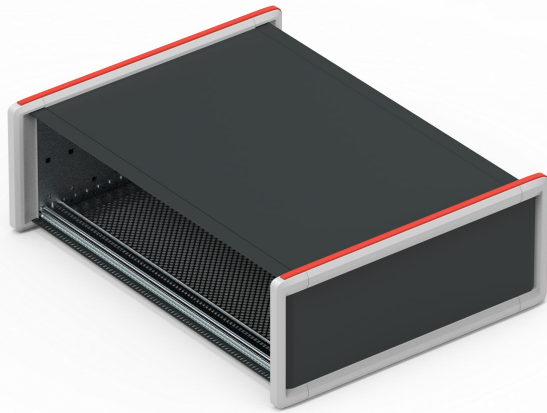
(*) Available from January 2024
4U and 6U version on the next page

Accessories:

- EMC shielding kits, page 5.159
- GND / grounding kit, page 5.163

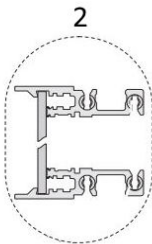
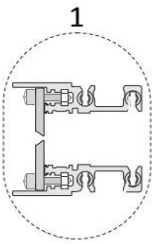
Desk-top cases – RatiopacPRO Style

RatiopacPRO Style Case

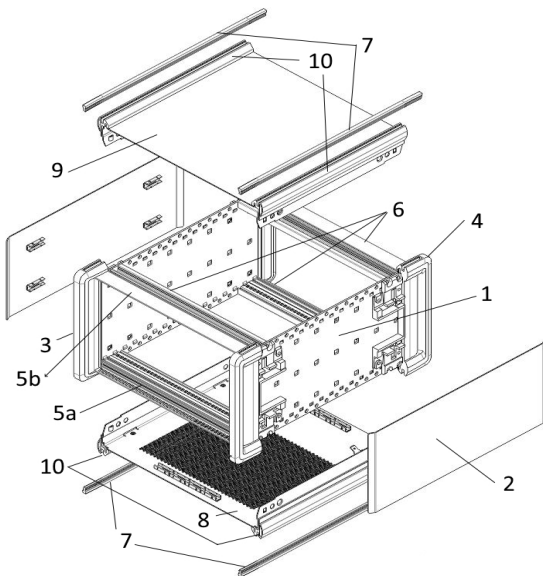


Standard Version:

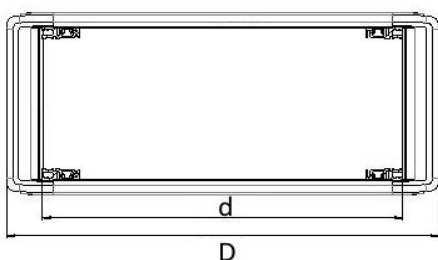
Screwless Version:



Delivery Comprise



Side view



Version with Trims front and rear side

- Desktop case with protective frame design and rubber strips on the top and bottom for a secure stand and with integrated stacking function
- Case for 19" components (guide rails) or proprietary components (mounting plate).
- To establish EMC-shielding, additional components need to be added out of page 5.159 to the enclosure.
- Available in two versions:
Standard (1) - Front and rear side prepared for front panel mounting with collar screws and sleeves.
Screwless (2) - Front side for front panel mounting without screws and rear side prepared for standard front panel mounting.

DELIVERY COMPRISES (in kit form)

Item	Qty		Qty		Description
	Standard		Screwless		
	4U	6U	4U	6U	
1	2	2	2	2	Side panel, Al, 2 mm, passivated
2	2	2	2	2	Side cover, Al, 1 mm, visible surface RAL 7016
3	2	2	2	2	Front Trim, die-cast zinc, RAL 9006
4	2	2	2	2	Rear Trim, die-cast zinc, RAL 9006
5a	1	2	-	-	Horizontal rail, type H-LD, Al, visible surfaces powder coated, RAL 7016, assembled on front side bottom, for IEEE application
5b	-	-	2	2	Horizontal rail, type H-LD, Al, visible surfaces powder coated, RAL 7016, assembled on front side bottom, for screwless front
6	3	2	2	2	Horizontal rail, type H-LD, Al, visible surfaces powder coated, RAL 7016,
7	4	4	4	4	Rubber strip, RAL 3000
8	1	1	1	1	Bottom cover with round perforation Ø 2.3mm, Al, 1 mm, internal surface conductive, visible surface RAL 7016, with GND/earthing connection
9	1	1	1	1	Top cover, Al 1 mm, Surface RAL 7016, with GND/earthing connection
10	4	4	4	4	Depth profile, Al-profile, RAL 9006
11	1	1	1	1	Fixing materials kit and user manual

ORDER INFORMATION

Height H	Width W	Depth D	Depth d	Standard	Screwless
U	HP	mm	mm	Part no.	Part no.
4	42	294.4	235.5	24582-420	24582-424
4	42	354.4	295.5	24582-421	24582-425
4	42	414.4	355.5	24582-422	24582-426
4	63	294.4	235.5	24582-430	24582-434
4	63	354.4	295.5	24582-431	24582-435
4	63	414.4	355.5	24582-432	24582-436
4	84	294.4	235.5	24582-440	24582-444
4	84	354.4	295.5	24582-441	24582-445
4	84	414.4	355.5	24582-442	24582-446
4	84	474.4	415.5	24582-443	24582-447
6	42	294.4	235.5	24582- 620 (*)	24582- 624 (*)
6	42	354.4	295.5	24582- 621 (*)	24582- 625 (*)
6	42	414.4	355.5	24582- 622 (*)	24582- 626 (*)
6	63	294.4	235.5	24582- 630 (*)	24582- 634 (*)
6	63	354.4	295.5	24582- 631 (*)	24582- 635 (*)
6	63	414.4	355.5	24582- 632 (*)	24582- 636 (*)
6	84	294.4	235.5	24582- 640 (*)	24582- 644 (*)
6	84	354.4	295.5	24582- 641 (*)	24582- 645 (*)
6	84	414.4	355.5	24582- 642 (*)	24582- 646 (*)
6	84	474.4	415.5	24582- 643 (*)	24582- 647 (*)

Remark:

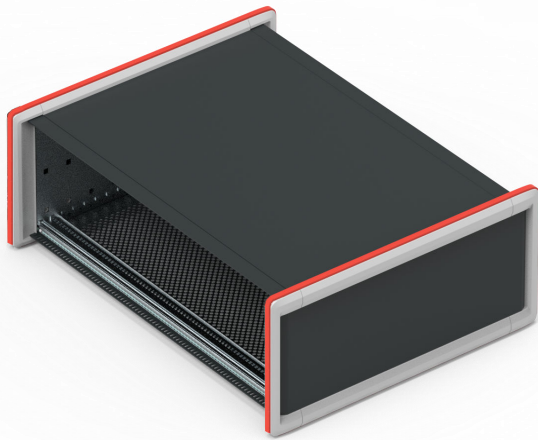
(*) Available from January 2024

Accessories:

- EMC shielding kits, page 5.159
- GND / grounding kit, page 5.163

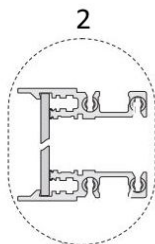
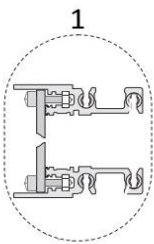
Desk-top cases – RatiopacPRO Style

RatiopacPRO Style Case

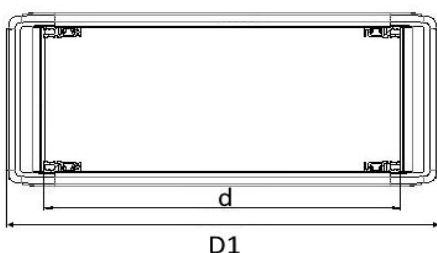
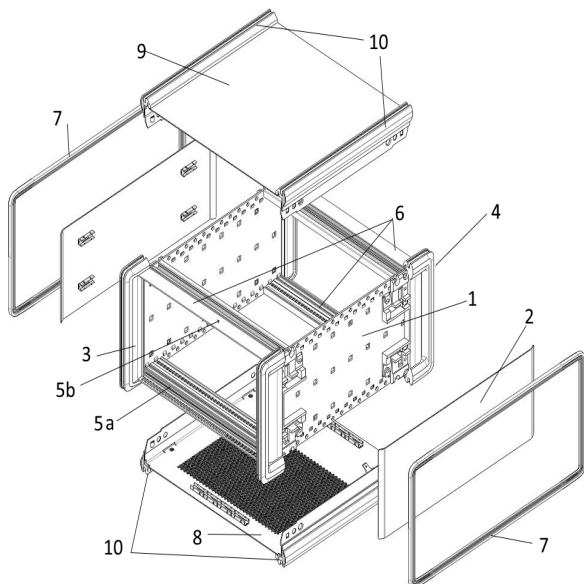


Standard Version:

Screwless Version:



Delivery Comprise



Version with Trims front and rear side and circulation rubber strip

- Desktop case with protective frame design and rubber strips all around the frame, for even more protection.
- Case for 19" components (guide rails) or proprietary components (mounting plate).
- To establish EMC-shielding, additional components need to be added out of page 5.159 to the enclosure.
- Available in two versions:
 - Standard (1) - Front and rear side prepared for front panel mounting with collar screws and sleeves.
 - Screwless (2) - Front side for front panel mounting without screws and rear side prepared for standard front panel mounting.

DELIVERY COMPRISES (in kit form)

Item	Qty		Description
	Standard	Screwless	
1	2	2	Side panel, Al, 2 mm, passivated
2	2	2	Side cover, Al, 1 mm, visible surface RAL 7016
3	2	2	Front Trim, die-cast zinc, RAL 9006
4	2	2	Rear Trim, die-cast zinc, RAL 9006
5a	1	-	Horizontal rail, type H-LD, Al, visible surfaces powder coated, RAL 7016, assembled on front side bottom, for IEEE application
5b	-	2	Horizontal rail, type H-LD, Al, visible surfaces powder coated, RAL 7016, assembled on front side bottom, for screwless front
6	3	2	Horizontal rail, type H-LD, Al, visible surfaces powder coated, RAL 7016,
7	2	2	Rubber strip, RAL 3000
8	1	1	Bottom cover with round perforation Ø 2.3mm, Al, 1 mm, internal surface conductive, visible surface RAL 7016, with GND/earthing connection
9	1	1	Top cover, Al 1 mm, Surface RAL 7016, with GND/earthing connection
10	4	4	Depth profile, Al-profile, RAL 9006
11	1	1	Fixing materials kit and user manual

ORDER INFORMATION

Height H	Width W	Depth D1	Depth d	Standard Part no.	Screwless Part no.
U	HP	mm	mm		
2	28	298.4	235.5	24581-210 (*)	24581-214 (*)
2	28	358.4	295.5	24581-211 (*)	24581-215 (*)
2	42	298.4	235.5	24581-220 (*)	24581-224 (*)
2	42	358.4	295.5	24581-221 (*)	24581-225 (*)
2	42	418.4	355.5	24581-222 (*)	24581-226 (*)
2	63	298.4	235.5	24581-230 (*)	24581-234 (*)
2	63	358.4	295.5	24581-231 (*)	24581-235 (*)
2	63	418.4	355.5	24581-232 (*)	24581-236 (*)
2	84	298.4	235.5	24581-240 (*)	24581-244 (*)
2	84	358.4	295.5	24581-241 (*)	24581-245 (*)
2	84	418.4	355.5	24581-242 (*)	24581-246 (*)
2	84	478.4	415.5	24581-243 (*)	24581-247 (*)
3	28	298.4	235.5	24581-310	24581-314
3	28	358.4	295.5	24581-311	24581-315
3	42	298.4	235.5	24581-320	24581-324
3	42	358.4	295.5	24581-321	24581-325
3	42	418.4	355.5	24581-322	24581-326
3	63	298.4	235.5	24581-330	24581-334
3	63	358.4	295.5	24581-331	24581-335
3	63	418.4	355.5	24581-332	24581-336
3	84	298.4	235.5	24581-340	24581-344
3	84	358.4	295.5	24581-341	24581-345
3	84	418.4	355.5	24581-342	24581-346
3	84	478.4	415.5	24581-343	24581-347

Remark:

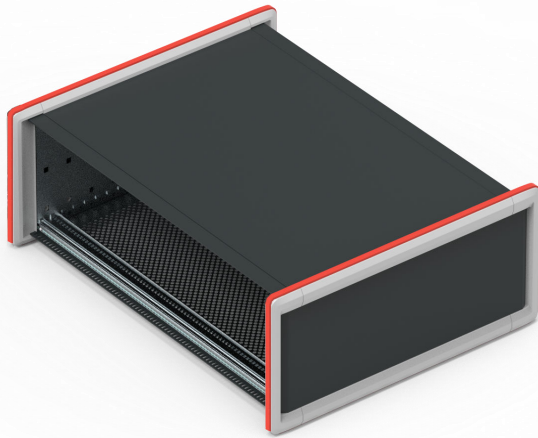
- (*) Available from January 2024
- 4U and 6U version on the next page

Accessories:

- EMC shielding kits, page 5.159
- GND / grounding kit, page 5.163

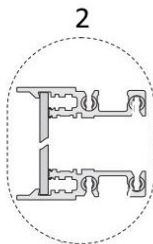
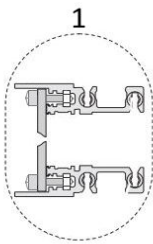
Desk-top cases – RatiopacPRO Style

RatiopacPRO Style Case

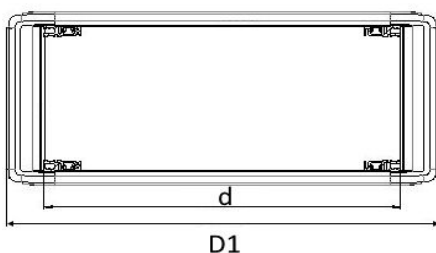
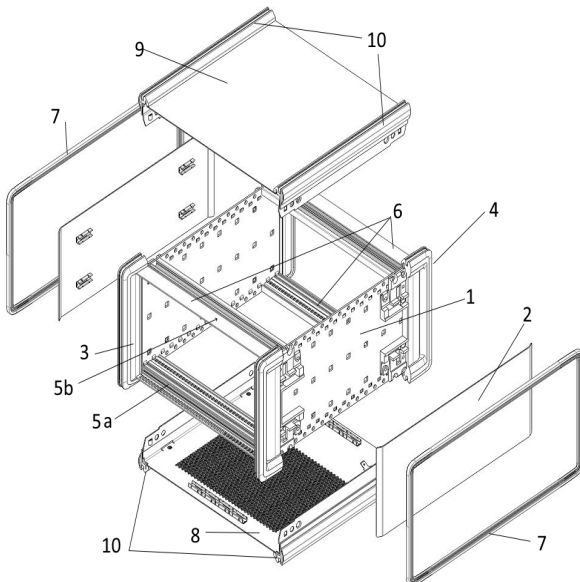


Standard Version:

Screwless Version:



Delivery Comprise



Version with Trims front and rear side and circulation rubber strip

- Desktop case with protective frame design and rubber strips all around the frame, for even more protection.
- Case for 19" components (guide rails) or proprietary components (mounting plate).
- To establish EMC-shielding, additional components need to be added out of page 5.159 to the enclosure.
- Available in two versions:
 - Standard (1) - Front and rear side prepared for front panel mounting with collar screws and sleeves.
 - Screwless (2) - Front side for front panel mounting without screws and rear side prepared for standard front panel mounting.

DELIVERY COMPRISES (in kit form)

Item	Standard		Screwless		Description
	4U	6U	4U	6U	
1	2	2	2	2	Side panel, Al, 2 mm, passivated
2	2	2	2	2	Side cover, Al, 1 mm, visible surface RAL 7016
3	2	2	2	2	Front Trim, die-cast zinc, RAL 9006
4	2	2	2	2	Rear Trim, die-cast zinc, RAL 9006
5a	1	2	-	-	Horizontal rail, type H-LD, Al, visible surfaces powder coated, RAL 7016, assembled on front side bottom, for IEEE application
5b	-	-	2	2	Horizontal rail, type H-LD, Al, visible surfaces powder coated, RAL 7016, assembled on front side bottom, for screwless front
6	3	2	2	2	Horizontal rail, type H-LD, Al, visible surfaces powder coated, RAL 7016,
7	4	4	4	4	Rubber strip, RAL 3000
8	1	1	1	1	Bottom cover with round perforation Ø 2.3mm, Al, 1 mm, internal surface conductive, visible surface RAL 7016, with GND/earthing connection
9	1	1	1	1	Top cover, Al 1 mm, Surface RAL 7016, with GND/earthing connection
10	4	4	4	4	Depth profile, Al-profile, RAL 9006
11	1	1	1	1	Fixing materials kit and user manual

ORDER INFORMATION

Height H	Width W	Depth D1	Depth d	Standard	Screwless
U	HP	mm	mm	Part no.	Part no.
4	42	298.4	235.5	24581-420	24581-424
4	42	358.4	295.5	24581-421	24581-425
4	42	418.4	355.5	24581-422	24581-426
4	63	298.4	235.5	24581-430	24581-434
4	63	358.4	295.5	24581-431	24581-435
4	63	418.4	355.5	24581-432	24581-436
4	84	298.4	235.5	24581-440	24581-444
4	84	358.4	295.5	24581-441	24581-445
4	84	418.4	355.5	24581-442	24581-446
4	84	478.4	415.5	24581-443	24581-447
6	42	298.4	235.5	24581-620 (*)	24581-624 (*)
6	42	358.4	295.5	24581-621 (*)	24581-625 (*)
6	42	418.4	355.5	24581-622 (*)	24581-626 (*)
6	63	298.4	235.5	24581-630 (*)	24581-634 (*)
6	63	358.4	295.5	24581-631 (*)	24581-635 (*)
6	63	418.4	355.5	24581-632 (*)	24581-636 (*)
6	84	298.4	235.5	24581-640 (*)	24581-644 (*)
6	84	358.4	295.5	24581-641 (*)	24581-645 (*)
6	84	418.4	355.5	24581-642 (*)	24581-646 (*)
6	84	478.4	415.5	24581-643 (*)	24581-647 (*)

Remark:

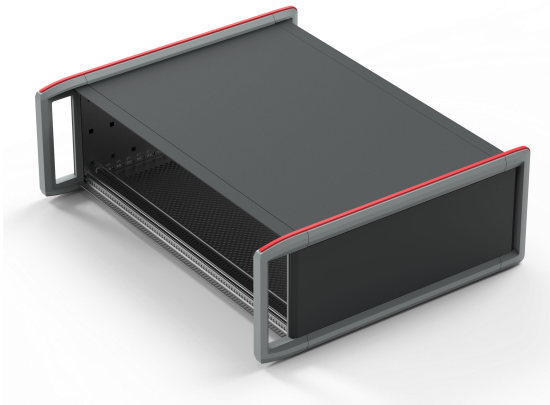
(*) Available from January 2024

Accessories:

- EMC shielding kits, page 5.159
- GND / grounding kit, page 5.163

Desk-top cases – RatiopacPRO Style

RatiopacPRO Style Case



Version with Handles on front and trims on rear side

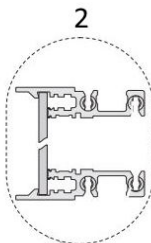
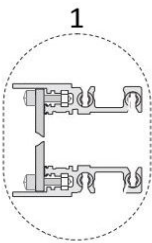
- Desktop case with protective frame design and front handles for a easy handling. Rear side with a circulating rubber strip to protect the enclosure during the transport.
- Case for 19" components (guide rails) or proprietary components (mounting plate).
- To establish EMC-shielding, additional components need to be added out of page 5.159 to the enclosure.
- Available in two versions:
 - Standard (1) - Front and rear side prepared for front panel mounting with collar screws and sleeves.
 - Screwless (2) - Front side for front panel mounting without screws and rear side prepared for standard front panel mounting.

DELIVERY COMPRISES (in kit form)

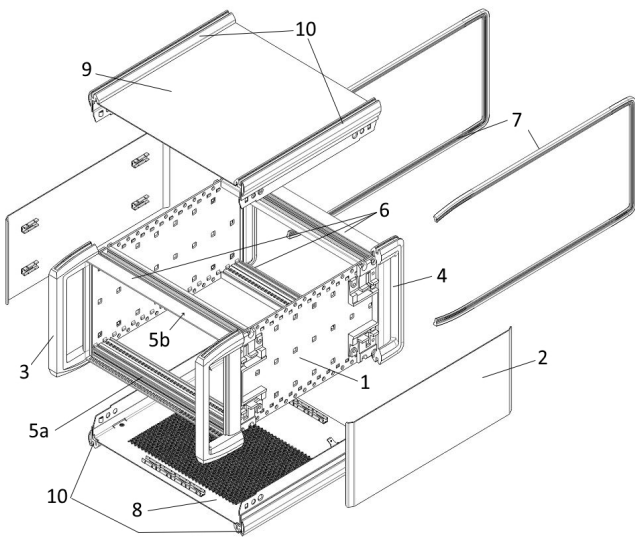
Item	Qty		Description
	Standard	Screwless	
1	2	2	Side panel, Al, 2 mm, passivated
2	2	2	Side cover, Al, 1 mm, visible surface RAL 7016
3	2	2	Front Handle, die-cast zinc, RAL 9006
4	2	2	Rear Trim, die-cast zinc, RAL 9006
5a	1	-	Horizontal rail, type H-LD, Al, visible surfaces powder coated, RAL 7016, assembled on front side bottom, for IEEE application
5b	-	2	Horizontal rail, type H-LD, Al, visible surfaces powder coated, RAL 7016, assembled on front side bottom, for screwless front
6	3	2	Horizontal rail, type H-LD, Al, visible surfaces powder coated, RAL 7016,
7	2	2	Rubber strip, RAL 3000
8	1	1	Bottom cover with round perforation Ø 2.3mm, Al, 1 mm, internal surface conductive, visible surface RAL 7016, with GND/earthing connection
9	1	1	Top cover, Al 1 mm, Surface RAL 7016, with GND/earthing connection
10	4	4	Depth profile, Al-profile, RAL 9006
11	1	1	Fixing materials kit and user manual

Standard Version:

Screwless Version:



Delivery Comprise



Side view



ORDER INFORMATION

Height H	Width W	Depth D2	Depth d	Standard	Screwless
U	HP	mm	mm	Part no.	Part no.
3	28	321.9	235.5	24580-310	24580-314
3	28	381.9	295.5	24580-311	24580-315
3	42	321.9	235.5	24580-320	24580-324
3	42	381.9	295.5	24580-321	24580-325
3	42	441.9	355.5	24580-322	24580-326
3	63	321.9	235.5	24580-330	24580-334
3	63	381.9	295.5	24580-331	24580-335
3	63	441.9	355.5	24580-332	24580-336
3	84	321.9	235.5	24580-340	24580-344
3	84	381.9	295.5	24580-341	24580-345
3	84	441.9	355.5	24580-342	24580-346
3	84	501.9	415.5	24580-343	24580-347
4	42	321.9	235.5	24580-420 (*)	24580-424 (*)
4	42	381.9	295.5	24580-421 (*)	24580-425 (*)
4	42	441.9	355.5	24580-422 (*)	24580-426 (*)
4	63	321.9	235.5	24580-430 (*)	24580-434 (*)
4	63	381.9	295.5	24580-431 (*)	24580-435 (*)
4	63	441.9	355.5	24580-432 (*)	24580-436 (*)
4	84	321.9	235.5	24580-440 (*)	24580-444 (*)
4	84	381.9	295.5	24580-441 (*)	24580-445 (*)
4	84	441.9	355.5	24580-442 (*)	24580-446 (*)
4	84	501.9	415.5	24580-443 (*)	24580-447 (*)

Remark:

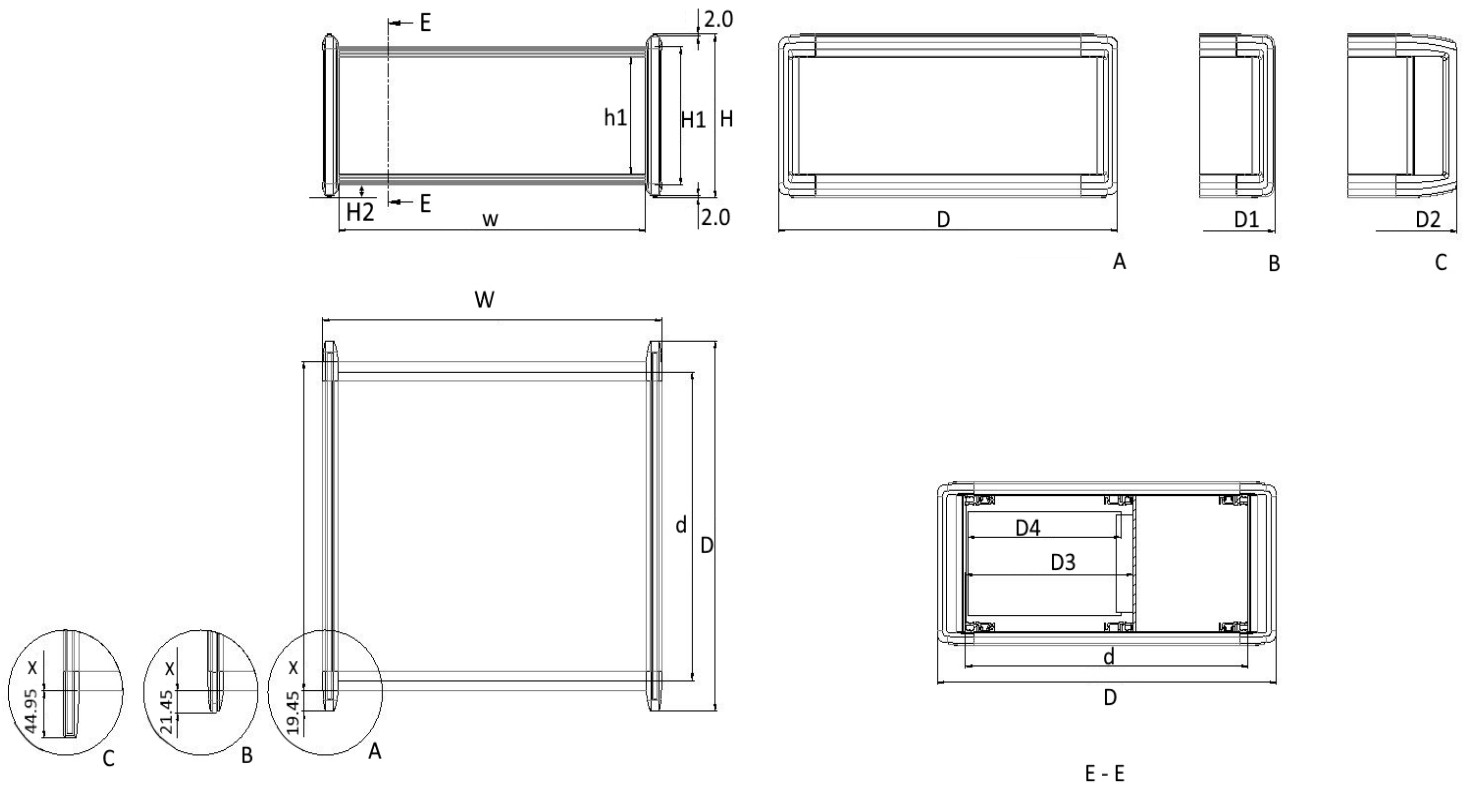
(*) Available from January 2024

Accessories:

- EMC shielding kits, page 5.159
- GND / grounding kit, page 5.163

Desk-top cases – RatiopacPRO Style

DIMENSION DRAWINGS RATIOACPRO Style



H2 = 12.0mm

RatiopacPRO Style:

With Trim = A ; With Trims and Circulating Rubber inlay = B ; With Front Handle = C

Dimensions Table RatiopacPRO Style						
in U	Height			Width		
	H in mm	H1 in mm	h1 in mm	in HP	w in mm	W in mm
2	112.10	88.10	67.90	28	142.82	176.42
				42	213.94	247.54
				63	320.62	354.22
				84	427.30	460.90
3	156.55	132.55	112.35	28	142.82	176.42
				42	213.94	247.54
				63	320.62	354.22
				84	427.30	460.90
4	201.00	177.00	156.80	28	142.82	176.42
				42	213.94	247.54
				63	320.62	354.22
				84	427.30	460.90
6	289.90	265.90	245.70	28	142.82	176.42
				42	213.94	247.54
				63	320.62	354.22
				84	427.30	460.90

d Useable depth in mm	Depth			D3 Plug-in Unit depth in mm	D4 Board depth in mm
	D in mm	D1 in mm	D2 in mm		
235.5	294.40	298.40	321.90	175.5	160
				235.5	160/220
295.5	354.40	356.40	381.90	175.5	160
				235.5	160/220
				295.5	160/220/280
355.5	414.40	418.40	441.90	175.5	160
				235.5	160/220
				295.5	160/220/280
				355.5	160/220/280/340
415.5	474.40	478.40	501.90	175.5	160
				235.5	160/220
				295.5	160/220/280
				355.5	160/220/280/340

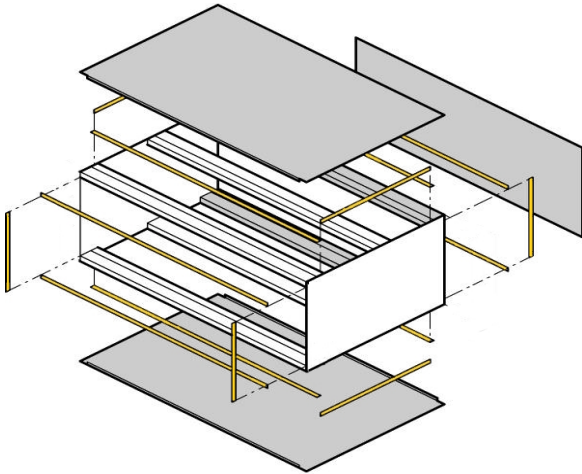
X = d + 19.80mm

Components mountable in 15 mm depth grid

Drawing is only for visualization

RatiopacPRO Platform Accessories

EMC-SHIELDING & EARTHING



By adding following components to the RatiopacPRO Style case, a superior RF-shielding can be established:

- EMC sealing front/ rear panel to side panel, page 5.159
- EMC sealing side panel to cover plate, page 5.159
- Front and rear panels with EMC sealing, page 5.160 to 5.163

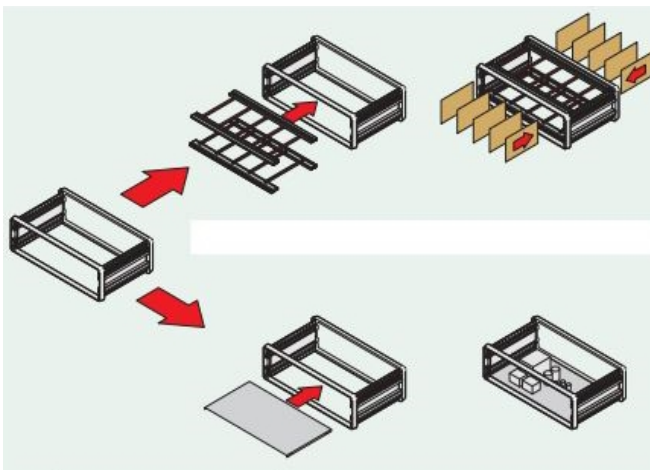
AIR-COOLING ACCESSORIES



Air Baffles and Air Filters:

- Air Filter, page 5.164
- Air Baffles, page 5.164

CARD CAGE MECHANICS



Horizontal rails, Chassis plates, Guide rails

- Horizontal rails, page 5.165 to 5.169
- Threaded inserts, perforated strip, insulation strip, page 5.170
- Divider plate / Chassis plate, page 5.172 to 5.173
- Horizontal board mounting / Combined mounting, page 5.174 to 5.175
- Guide rails, page 5.176 to 5.181

SERVICE PLUS

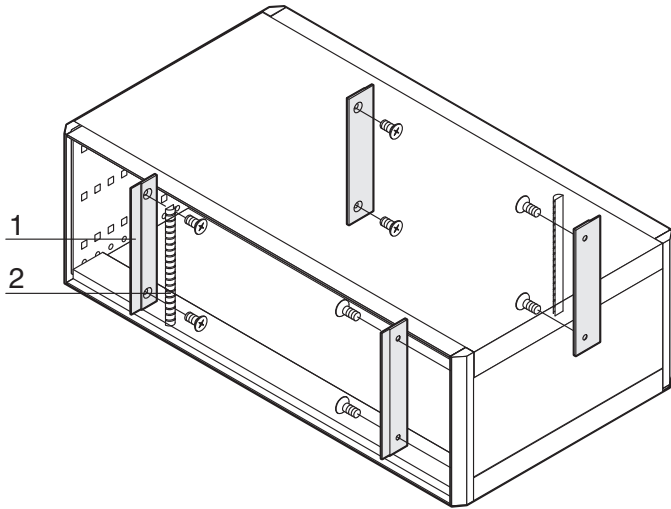


Service Plus

- Configuration, page 5.182
- Modification, page 5.183

RatiopacPRO Platform Accessories

EMC SEALING FRONT/REAR PANEL TO SIDE PANEL


rppr6639

- For vertical EMC shielding between sub-assemblies and side panel
- Scope of delivery sufficient for one case

DELIVERY COMPRISES (kit)

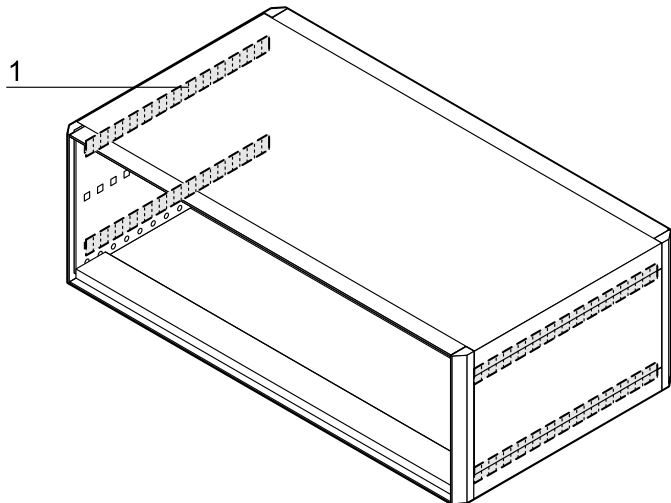
Item	Qty	Description
1	4	EMC support profile, Al extrusion
2	2	EMC sealing (textile), core: foam, sleeve: textile cladding with CuNi coating
3	1	Assembly kit

ORDER INFORMATION

For case height	Part no.
U	
2	24571-334
3	24571-331
4	24571-332
6	24571-333

Drawing is only for visualization. Accessories are compliant with RatiopacPRO Style, RatiopacPRO and RatiopacPRO Air

EMC SEALING SIDE PANEL TO COVER PLATE


RPPR6640

- For horizontal EMC shielding between side panels and cover plates
- Scope of delivery sufficient for one case

DELIVERY COMPRISES (kit)

Item	Qty	Description
1	4	Contact strip, stainless steel

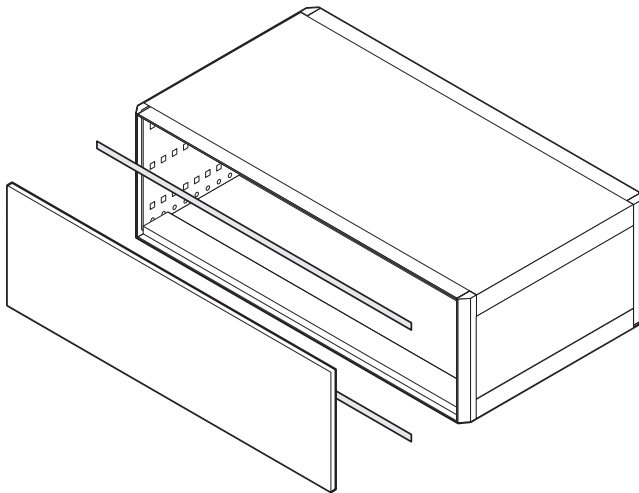
ORDER INFORMATION

Depth d mm	Part no.
255	24571-338
315	24571-339
375	24571-340
435	24571-341

Drawing is only for visualization. Accessories are compliant with RatiopacPRO Style, RatiopacPRO and RatiopacPRO Air

RatiopacPRO Platform Accessories

EMC SEALING FRONT/REAR PANEL TO HORIZONTAL RAIL


rppr6739

Drawing is only for visualization. Accessories are compliant with RatiopacPRO Style, RatiopacPRO and RatiopacPRO Air

- The contact strip is clipped onto the horizontal rail and sets up the contact to front panel or rear panel
- Can be used for rear horizontal rails (H-VT, L-VT) and all front horizontal rails

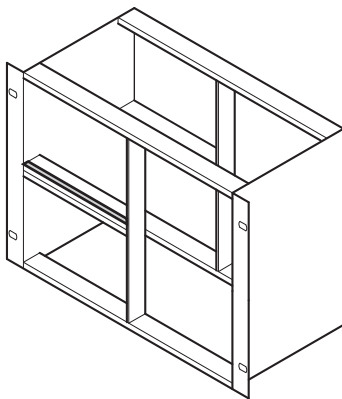
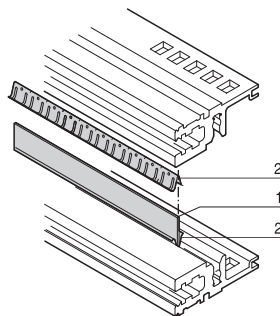
DELIVERY COMPRISES

Item	Qty	Description
1	10/100	Stainless steel EMC gasket

ORDER INFORMATION

Width HP	Width mm	Qty/PU	Part no.
28	131.78	10	24560-229
42	202.9	10	24560-231
63	304.8	10	24560-233
84	416.3	10	24560-235
84	416.3	100	24560-236

EMC SEALING HORIZONTAL RAIL TO HORIZONTAL RAIL


BPA46548

BZA45877

- For shielding of two horizontal rails located directly above each other with vertical division of the mounting height

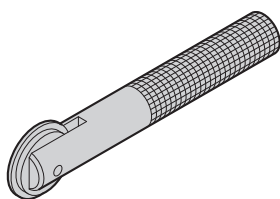
DELIVERY COMPRISES

Item	Qty	Description
1	1	Cover strip, Al, 1 mm
2	2	Contact spring, St, stainless

ORDER INFORMATION

Length HP	Part no.
20	24562-520
28	24562-528
40	24562-540
42	24562-542
63	24562-563
84	24562-584

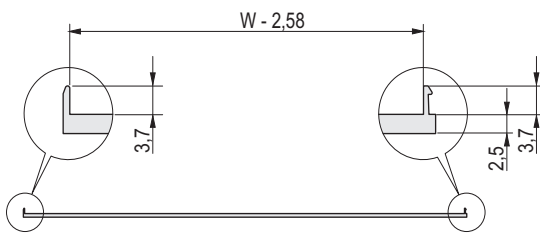
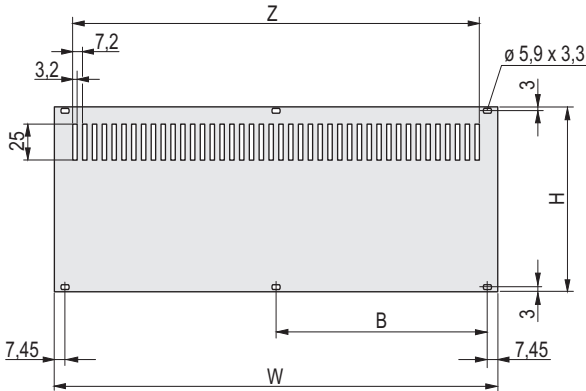
Assembly tool for EMC sealing, St, stainless (horizontal rails), 1 piece **24560-271**


135485455

aza45937

Assembly tool

RatiopacPRO Platform Accessories

REAR PANELS WITH VENTILATION SLOTS



Shieldable

01802055



Unshielded

01804050

- Two versions:
unshielded, Al, 2.5 mm;
shieldable, Al extrusion (textile EMC seal, retrofittable)
- Mounting on horizontal rails (top and bottom)

DELIVERY COMPRISES

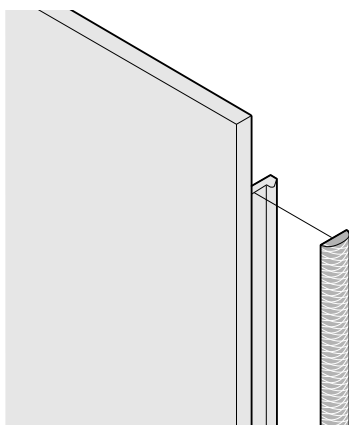
Item	Qty	Description
1	1	Rear panel, Al, 2.5 mm, front: anodised, rear: iridescent green chromated; unshielded (flat) or shieldable (U-shaped) with EMC seal (textile)

ORDER INFORMATION

Height U	H mm	Width W HP mm	B mm	unshielded Part no.	shieldable Part no.
2	84	28 141.9	-	30849-007	20848-679
2	84	42 213	101.6	30849-014	20848-680
2	84	63 319.7	157.5	30849-015	20848-681
2	84	84 426.4	208.3	30849-016	20848-682
3	128.4	28 141.9	-	30849-008	20848-633
3	128.4	42 213	101.6	30849-021	20848-634
3	128.4	63 319.7	157.5	30849-022	20848-635
3	128.4	84 426.4	208.3	30849-023	20848-636
4	172.9	28 141.9	-	30849-009	20848-656
4	172.9	42 213	101.6	30849-028	20848-657
4	172.9	63 319.7	157.5	30849-029	20848-658
4	172.9	84 426.4	208.3	30849-030	20848-659
6	261.8	28 141.9	-	30849-010	20848-640
6	261.8	42 213	101.6	30849-035	20848-641
6	261.8	63 319.7	157.5	30849-036	20848-642
6	261.8	84 426.4	208.3	30849-037	20848-643

- Assembly parts see page Chapter 7, Front panels
- Rear/front panels without perforation see Chapter 7, Front panels
- Rear panels with fan available on request

TEXTILE EMC SEALS



04602054

DELIVERY COMPRISES

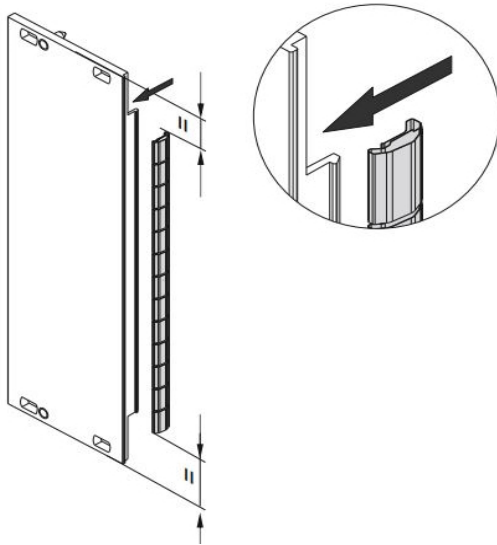
Item	Qty	Description
1	10/100	Textile EMC seal, core: foam, sleeve: textile cladding with CuNi coating

ORDER INFORMATION

Height U	Height mm	Qty/PU pieces	Part no.
2	52	10	21101-857
3	97	100	21101-854
3	97	10	21101-853
4	142	10	21101-858
6	232	100	21101-856
6	232	10	21101-855

RatiopacPRO Platform Accessories

STAINLESS STEEL EMC GASKET FOR U-SHAPED FRONT PANEL



- The stainless steel EMC-gasket for SCHROFF U-shaped front panels, offers excellent performance in shielding effectiveness and an enormous temperature range from -200 to +160°C.
- Easy mounting by clipping the gasket onto the right front panel bracket

NEW

DELIVERY COMPRISES

Item	Qty	Description
1	10/100	EMC gasket (stainless steel)

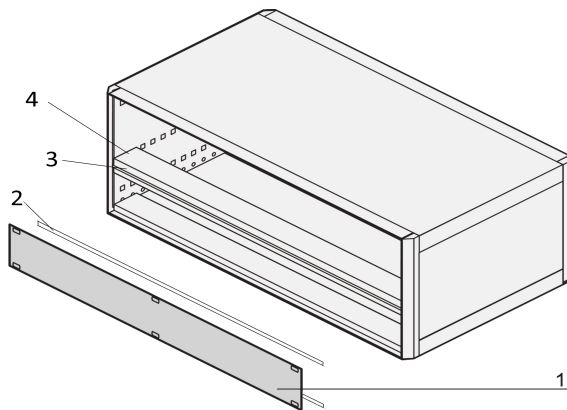
ORDER INFORMATION

Height U	Height mm	Qty/PU piece	Part no.
2	52	10	21102-115
3	97	10	21102-105
3	97	100	21102-106
4	142	10	21102-113
6	232	10	21102-107
6	232	100	21102-108



Handschutz benutzen!
Use Hand Protection!
Utilisez une protection des mains!

FRONT PANEL, 1 U, UNSHIELDED, FOR 4 U CASE, FOR MOUNTING ON HORIZONTAL RAILS


05806064

DELIVERY COMPRISES

Item	Qty	Description
1	1	Front panel, Al, 2.5 mm, front anodised, rear iridescent green chromated

ORDER INFORMATION

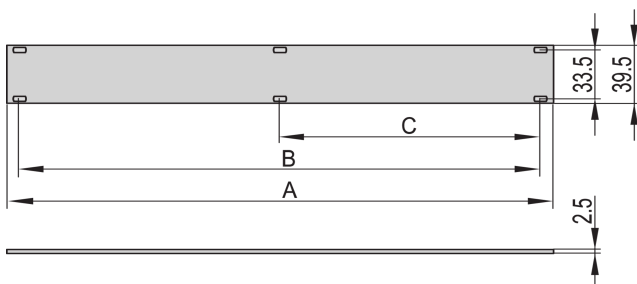
Width HP	A mm	B mm	C mm	Front panel Part no.
28	141.9	127.0	-	20850-423
42	213.0	198.1	101.6	20850-424
63	319.7	304.8	157.5	20850-425
84	426.4	411.5	203.2	20850-426

Accessories

Pozidrive/slotted collar screw M2.5 x 12.3, St, nickel-plated, PU 100 pieces	21101-101
Plastic sleeve, PA, grey PU 100 pieces	21100-464

NOTE

- Please order items 2, 3 and 4 listed below separately



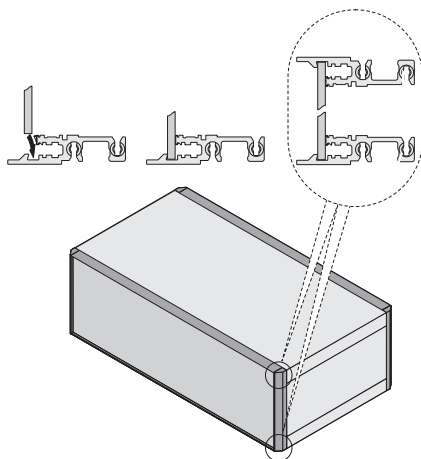
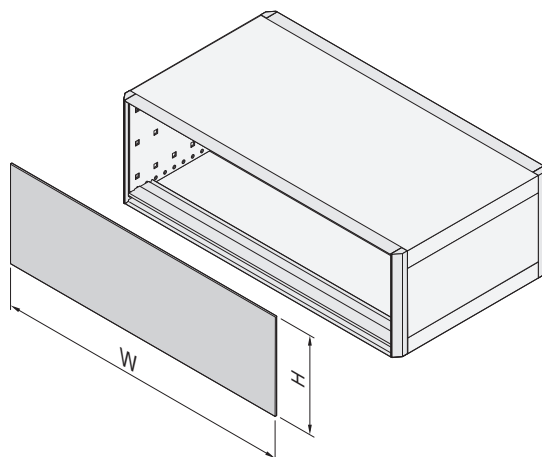
Drawing is only for visualization. Accessories are compliant with RatiopacPRO Style, RatiopacPRO and RatiopacPRO Air

Width HP	Item 2 EMC gasket, front panel/horizontal rail PU 10 pieces	Item 3 EMC gasketing kit horizontal rails, 1 piece	Item 4 Horizontal rail type H-KD, 1 piece (SPQ 10)1)
HP	Part no.	Part no.	Part no.
28	24560-229	24562-528	34560-228
42	24560-231	24562-542	34560-242
63	24560-233	24562-563	34560-263
84	24560-235	24562-584	34560-284

1) SPQ (standard pack quantity): Order number includes 1 piece, but delivery is exclusively made in standard pack quantity (SPQ); please order at least the SPQ quantity or a multiple thereof

RatiopacPRO Platform Accessories

EMC FRONT / REAR PANEL, SCREWLESS, SHIELDED



Front panel/horizontal rail

Drawing is only for visualization. Accessories are compliant with RatiopacPRO Style, RatiopacPRO and RatiopacPRO Air

- **No screws** required for fixing
- Special horizontal rails (included in screwless case type) cover the edges of the front panel (top and bottom) and prevent bowing of the front panel

DELIVERY COMPRISES (Kit)

Item	Qty	Description
1	1	Full-width front panel, Al, 2.5 mm, front: anodised, rear: colour passivated

ORDER INFORMATION

For case height U	Height H mm	For case width HP	Width W mm	Part no.
2	84.0	28	141.9	34572-199
2	84.0	42	213.2	34572-200
2	84.0	63	319.7	34572-201
2	84.0	84	426.4	34572-202
3	128.4	28	141.9	34572-203
3	128.4	42	213.2	34572-204
3	128.4	63	319.7	34572-205
3	128.4	84	426.4	34572-206
4	172.9	28	141.9	34572-207
4	172.9	42	213.2	34572-208
4	172.9	63	319.7	34572-209
4	172.9	84	426.4	34572-210

NOTE

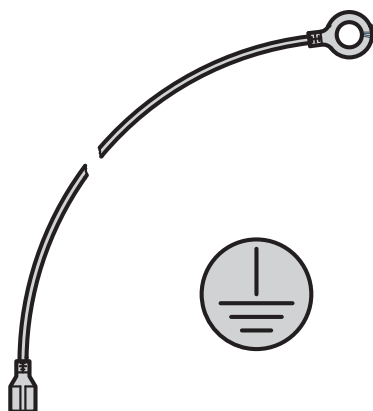
To obtain a shielded case, all EMC sealings must be fitted (front panel/rear panel - side panel; side panel - cover plate; front panel/rear panel - horizontal rail; horizontal rail - horizontal rail)

REMARK:

Flat front panels, EMC front panels (flat with groove for EMC gasket) or U-shaped (for textile gasket) you will find in chapter 7.

All need accessories (sleeves, collar screws, etc.) you will find as well in chapter 7.

EARTHING KIT



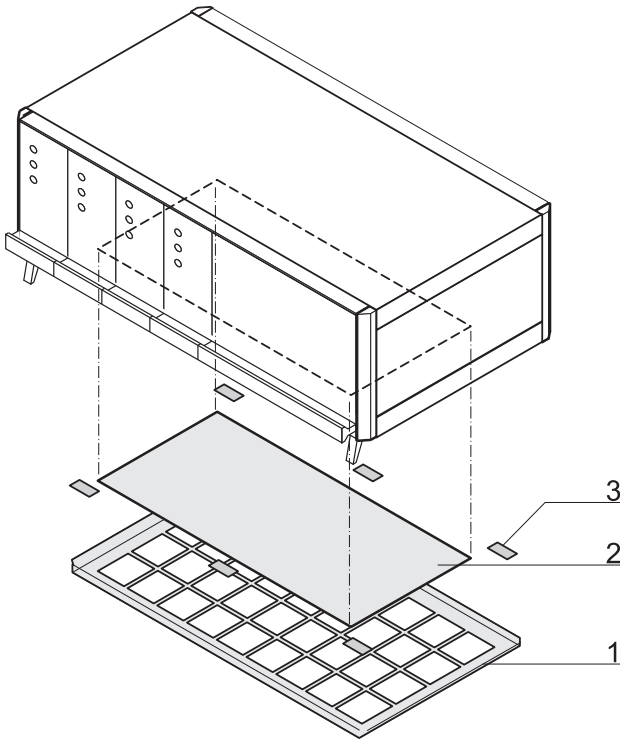
- Forms the GND/earthing connections between side panels, base plate, top cover and rear panel
- Protective GND/earthing connections in accordance with:
 - DIN EN 50178/VDE 0160
 - DIN EN 62368-1/VDE 0805
 - DIN EN 61010-1/VDE 0411 part 1
 - DIN EN 61010-1A2/VDE 0411 part 1/A1
- VDE tested

ORDER INFORMATION

Description	Part no.
GND/earthing kit, Cu wire 1.5 mm ² , PVC sleeve, green/yellow	24571-380

RatiopacPRO Platform Accessories

AIR FILTERS FOR RatiopacPRO Style


rppr6658

Drawing is only for visualization. Accessories are compliant with RatiopacPRO Style, RatiopacPRO and RatiopacPRO Air

- Retrofit mounting without reworking and tools
- Filter replacement without opening the case, IP protection retained

DELIVERY COMPRISES (kit)

Item	Qty	Description
1	1	Filter holder, Al, 1 mm, powder-coated, RAL 9006
2	1	Filter mat, synthetic fibre
3	1	Self-adhesive fixings

ORDER INFORMATION

For case width	Air filter	Replacement filter 1 piece
HP	Part no.	Part no.
28	24571-325	64571-033
42	24571-326	64571-034
63	24571-327	64571-035
84	24571-328	64571-036

AIR Baffle FOR SLOTS

ORDER INFORMATION

			Air baffle without front panel	Air baffle with front panel U front panel for textile EMC gasket
<small>06101507</small>			<small>06108085</small>	<small>06108088</small>
<p>Al, 1 mm, incl. assembly kit; prevents an air short circuit in unoccupied slot positions; is pushed into the groove of the guide rails</p>			<p>Air deflector, Al, 1 mm, front panel, Al extrusion, 2.5 mm, front anodised, rear conductive; EMC gasket (textile); fixing material kit prevents an air short-circuit where slots are unoccupied; is pushed into the groove of the guide rails</p>	
Depth mm	Width HP	Height U	1 piece	1 piece
160	4	3	34562-823	20848-728
160	4	6	34562-826	20848-736
220	4	3	34562-824	20848-729
220	4	6	34562-827	20848-737

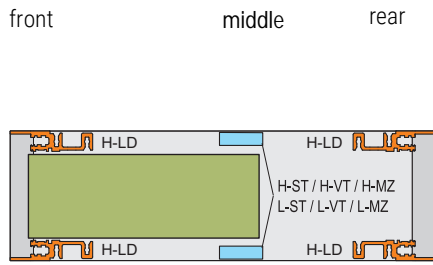
NOTE

- Air baffle for other dimensions for example 280 mm deep, or 8 HP and 12HP width
or for 80 mm rear I/O boards available on request

RatiopacPRO Platform Accessories

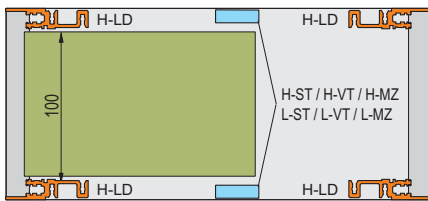
MOUNTING POSITION RatiopacPRO Style HORIZONTAL RAILS / CENTRAL RAILS

2 U



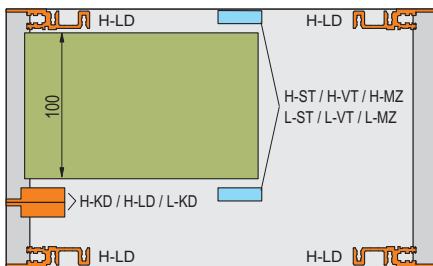
Drawings are only for visualization. Accessories are compliant with RatiopacPRO Style, RatiopacPRO and RatiopacPRO Air

3 U

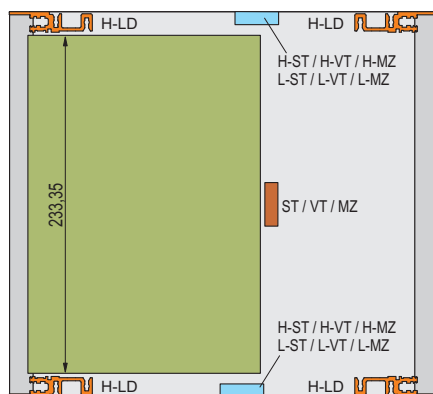


01802057

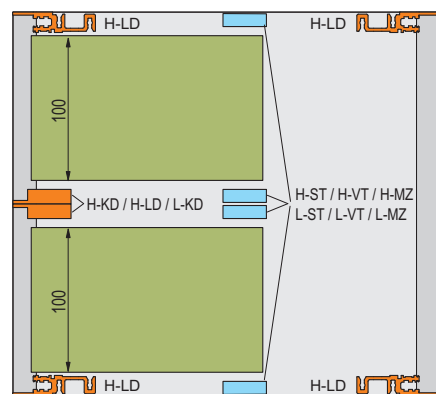
4 U (3U + 1U)



6 U

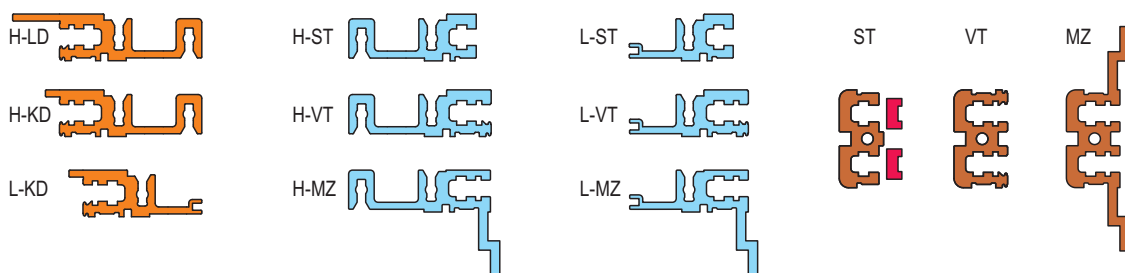


6 U (2 x 3)



01802059

01802060



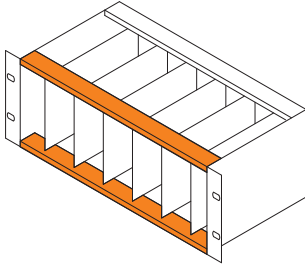






Horizontal rails can be bolted on in 15 mm depth grid

01808050

RatiopacPRO Platform Accessories

FRONT HORIZONTAL RAILS

ORDER INFORMATION

		With short lip	With long lip for insertion/extraction of CompactPCI and VME64x boards
 <p style="text-align: right; font-size: small;">bza44980</p>		<p>"heavy" Type H-KD short lip</p>  <p>Al extrusion, anodised finish, contact surface conducting, with printed HP markings</p> <p style="text-align: right; font-size: x-small;">06197008</p>	<p>"heavy" Type H-LD long lip</p>  <p>Al extrusion, anodised finish, contact surface conducting, with printed HP markings</p> <p style="text-align: right; font-size: x-small;">06197009</p>
Usable length HP	Length mm	1 piece (SPQ 10) ¹⁾	1 piece (SPQ 10) ¹⁾
28	147.32	34560-228	34560-328
42	218.44	34560-242	34560-342
63	325.12	34560-263	34560-363
84	431.80	34560-284	34560-384
M4 x 14, St, zinc-plated, PU 100pcs		24571-371 	24571-371 
M4 x 10, St, zinc-plated, necessary if guide rail is screwed to slot 1, PU 100 pieces		24571-372 	24571-372 
Threaded inserts see page		5.170	5.170

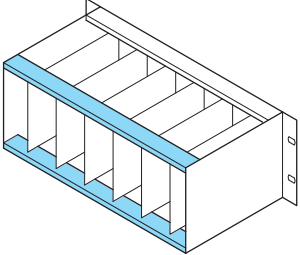


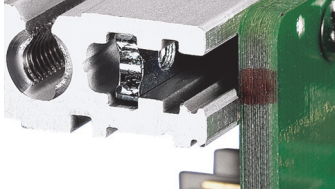


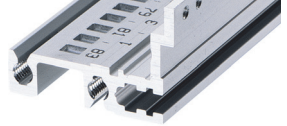
1) SPQ (standard pack quantity): Order number includes 1 piece, but delivery is exclusively made in standard pack quantity (SPQ); please order at least the SPQ quantity or a multiple thereof

Horizontal rail type "heavy": loading capacity > 7.5 kg

RatiopacPRO Platform Accessories

REAR HORIZONTAL RAILS

ORDER INFORMATION

		For indirect backplane fixing with insulation strip	For direct backplane fixing	For direct fixing of connectors to EN 60603-2 (DIN 41612)
 <p>06105074</p>		 <p>04400001</p> <p>"heavy" Type H-ST standard</p>  <p>06197011</p> <p>Al extrusion, anodised finish, contact surface conducting, with printed HP markings</p>	 <p>04400002</p> <p>"heavy" Type H-VT long lip</p>  <p>06197013</p> <p>Al extrusion, anodised finish, contact surface conducting, with printed HP markings</p>	 <p>04400003</p> <p>"heavy" Type H-MZ with Z-rail</p>  <p>06197015</p> <p>Al extrusion, anodised finish, contact surface conducting, with printed HP markings</p>
Usable length HP	Length mm	1 piece (SPQ 10) ¹⁾	1 piece (SPQ 10) ¹⁾	1 piece (SPQ 10) ¹⁾
28	147.32	34560-528	34560-728	34560-928
42	218.44	34560-542	34560-742	34560-942
63	325.12	34560-563	34560-763	34560-963
84	431.80Torx	34560-584	34560-784	34560-984
Torx panhead screw, 4 x 14, 100pcs		24571-371	24571-371	24571-371
Torx panhead screw, 4 x 10, 100pcs		24571-372	24571-372	24571-372
Perforated rail for connector mounting with insulation strip see page		5.170	-	-
Z-rail for connector mounting without insulation strip see page		5.170	-	-
Insulation strips see page		5.170	-	-
Threaded inserts see page		5.170	5.170	5.170

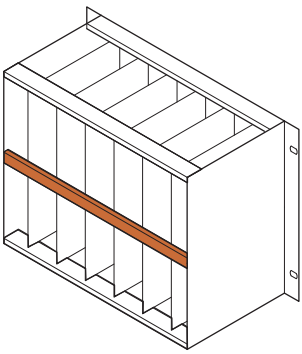
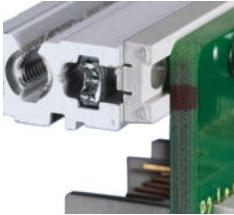

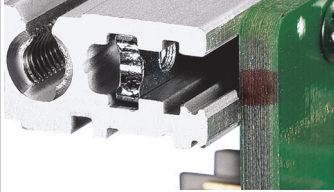



1) SPQ (standard pack quantity): Order number includes 1 piece, but delivery is exclusively made in standard pack quantity (SPQ); please order at least the SPQ quantity or a multiple thereof

Horizontal rail type "heavy": loading capacity > 7.5 kg

RatiopacPRO Platform Accessories

HORIZONTAL RAILS REAR, CENTRE

ORDER INFORMATION

		For indirect mounting of backplanes via insulation strip	For direct backplane mounting	For direct fixing of connectors to EN 60603-2 (DIN 41612)
 <p>06108090</p>		 <p>04400001</p> <p>Type ST</p>  <p>06197016</p>	 <p>04400002</p> <p>Type VT</p>  <p>06197017</p>	 <p>04400003</p> <p>Type MZ</p>  <p>06197018</p>
<p>Al extrusion, finish anodised, conductive contact surface; horizontal rail type AB (AB = support) is required to fix the 80 mm rear I/O boards; without marking</p>		<p>Al extrusion, finish anodised, conductive contact surface; horizontal rail type AB (AB = support) is required to fix the 80 mm rear I/O boards; without marking</p>		<p>Al extrusion, finish anodised, conductive contact surface; horizontal rail type AB (AB = support) is required to fix the 80 mm rear I/O boards; without marking</p>
Usable length HP	Length mm	1 piece (SPQ 10) ¹⁾	1 piece (SPQ 10) ¹⁾	1 piece (SPQ 10) ¹⁾
28	147.32	34561-028	34561-128	34561-228
42	218.44	34561-042	34561-142	34561-242
63	325.12	34561-063	34561-163	34561-263
84	431.80	34561-084	34561-184	34561-284
Torx panhead screw, 4 x 14, 100 pcs		24571-371	24571-371	24571-371
Torx panhead screw, 4 x 10, 100 pcs		24571-372	24571-372	24571-372
Insulation strips see page		5.170	-	-
Threaded inserts see page		5.170	5.170	5.170

1) SPQ (standard pack quantity): Order number includes 1 piece, but delivery is exclusively made in standard pack quantity (SPQ); please order at least the SPQ quantity or a multiple thereof

RatiopacPRO Platform Accessories

HORIZONTAL RAILS (TYPE AB) FOR REAR I/O GUIDE RAILS

ORDER INFORMATION

		For CompactPCI in rear I/O area
		 <p>06108009</p> <p>Type AB</p>  <p>06197019</p> <p>Al extrusion, finish anodised, conductive contact surface; horizontal rail type AB (AB = support) is required to fix the 80 mm rear I/O boards; without marking</p>
Usable length	Length	1 piece (SPQ 10) ¹⁾
HP	mm	
20	106.68	34561-520
28	147.32	34561-528
40	208.28	34561-540
42	218.44	34561-542
63	325.12	34561-563
84	431.80	34561-584
-	1000.00	34561-501
Screw, M4 x 14, PU 100 pieces, for fastening horizontal rail to side panel		24571-371 

1) SPQ (standard pack quantity): Order number includes 1 piece, but delivery is exclusively made in standard pack quantity (SPQ); please order at least the SPQ quantity or a multiple thereof

NOTE

- All AB type horizontal rails without print
- 1000 mm version without M4 thread in end

RatiopacPRO Platform Accessories

THREADED INSERTS, PERFORATED STRIPS, INSULATION STRIPS

	Threaded insert		Perforated strip		Insulation strip		
	M2.5	M3	(item 1)				
	<p>06103056</p> <p>Required for fixing the front panel to the horizontal rail; St, zinc-plated; use collar screw 12.3 mm, see page 6.66</p>		<p>127685783</p> <p>For centring shielded plug-in units, Al, 1 mm, please order fixing grub screw (torque 0,37Nm) separately</p>		<p>BZ6749</p> <p>For insulated mounting of backplane; PC, UL 94 V-0, grey</p>		
Usable length HP	Length mm	M2.5 1 piece (SPQ 10) ¹⁾	M3 1 piece (SPQ 10) ¹⁾	Length	1 piece (SPQ 10) ¹⁾	Length mm	PU 10 pieces ²⁾
28	146.82	34561-328	-	147.12	30845-197	144.20	24560-828
42	217.94	34561-342	-	218.24	30845-211	210.40	24560-842
63	324.62	34561-363	-	324.92	30845-232	316.88	24560-863
84	431.30	34561-384	34561-484	431.60	30845-253	428.64	24560-884

Accessories

Grub screw M2.5 x 8, PU 100 pieces	21100-276	-	-	-	-	-	-
Grub screw M2.5 x 9, PU 100 pieces	-	-	-	21102-980	-	-	-
Grub screw M3 x 8, PU 100 pieces	-	21100-646	-	-	-	-	-

1) SPQ (standard pack quantity): Order number includes 1 piece, but delivery is exclusively made in standard pack quantity (SPQ); please order at least the SPQ quantity or a multiple thereof

2) Part no. includes one packing unit (PU); delivery is exclusively made in PU




Z-RAILS, PERFORATED RAILS

		Z-rail for connectors DIN EN 60603-2, DIN 41612 item 1	31-pin, DIN 41617	Perforated rail EN 606032, DIN 41612 item 1
		<p>BZA45849</p> <p>06708063</p> <p>For connector mounting with ST horizontal rails, please order threaded insert and screw separately</p>	<p>BZA45850</p> <p>06708051</p> <p>For connector mounting with ST horizontal rails, please order threaded insert and screw separately</p>	<p>BZA45848</p> <p>06708051</p> <p>For connector mounting with VT horizontal rails, please order threaded insert and screw separately</p>
Usable length HP	Length mm	1 piece	1 piece	PU 4 pieces
4	20.32	30822-166	-	20822-052
8	40.64	30822-170	-	20822-053
20	101.60	30822-025	-	20822-051
28	142.24	30822-033	-	20822-049
40	203.20	30822-045	30819-763	20822-046
42	213.36	30822-047	-	20822-050
60	304.80	30822-065	30819-783	20822-047
84	426.72	30822-089	30819-808	20822-048
Item 2, torx panhead screw to fix connector to perforated rail,, M2.5 x 7, PU 100 pieces		24560-147	24560-147	24560-147
Item3, torx panhead screw, to fix perforated rails to horizontal rail, M2.5 x 10, PU 100 pieces		-	-	24560-148


RatiopacPRO Platform Accessories

TORX PANHEAD SCREWS

ORDER INFORMATION

	Description	Application	Material	Dimension	Qty/PU	Part no.
	Panhead screw with Torx	For horizontal rail to side panel, with GND/earthing function	St, zinc-plated	M4 x 14	100	24571-371
	Panhead screw with Torx	For horizontal rail to side panel, if guide rail is bolted onto slot 1	St, zinc-plated	M4 x 10	100	24571-372
	Countersunk screw with Torx	For fixing the top covers to the case frame	St, zinc-plated	M4 x 14	100	24571-373

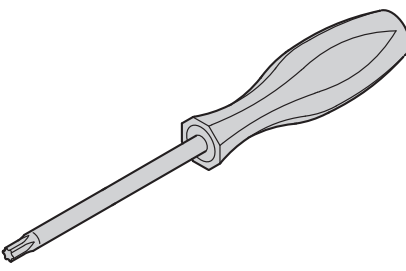
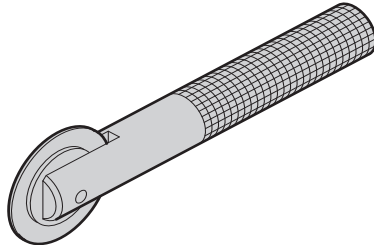
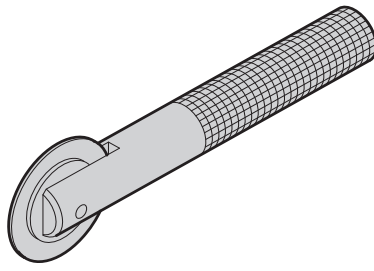
NUT

	Description	Application	Material	Dimension	Qty/PU	Part no.
	Square nut	For fixing: parts to side panels, support profiles, mounting plates	St, zinc-plated	M4	100	24560-140

ASSEMBLY TOOLS

ORDER INFORMATION

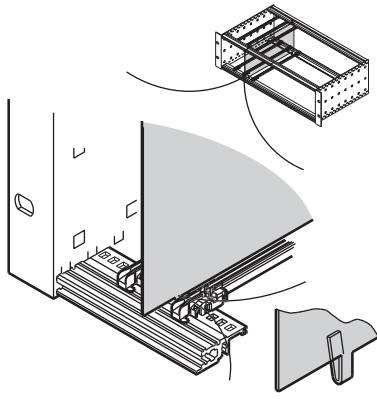
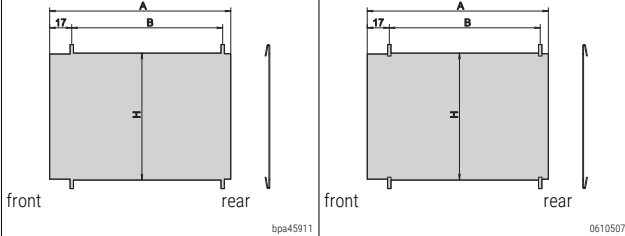
ORDER INFORMATION

	Description	Application	Dimension	Qty/PU	Part no.
	Torx screwdriver		T8	1	64560-026
			T20	1	64560-027
	Assembly tool for horizontal rails	Exclusively to fix stainless steel EMC gaskets in horizontal rails	-	1	24560-271
	Assembly tool for front panels	For mounting stainless steel EMC contact strips on front panels with lateral slot	-	1	24560-270

RatiopacPRO Platform Accessories

DIVIDER PLATES


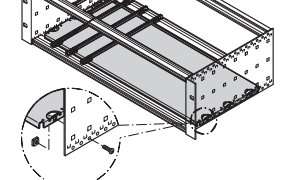
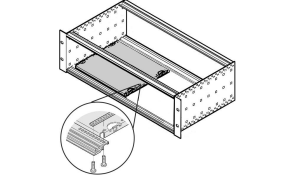
ORDER INFORMATION

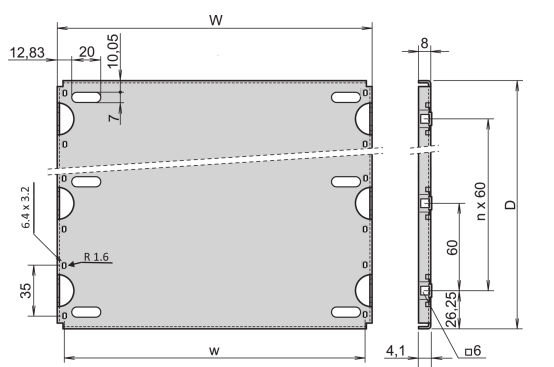
					Divider plates	
					Mounting position for stainless steel EMC gasket	
					Mounting position for textile EMC gasket	
						
<p>Stainless steel, 1 mm, is mounted by clipping onto horizontal rail, space requirement on component side 2 mm; mounting direction varies with shielding design (EMC stainless steel or textile gasket); retrofitting the divider plate in an already-assembled subrack/case will first require dismantling of the horizontal rails; where front panels are unshielded, both mounting directions are possible</p>						
Height	Depth	A	B	H	1 piece	
U	mm	mm	mm	mm		
3	160	158.3	135.0	113.5	34562-761	
3	220	218.3	195.0	113.5	34562-762	
6	160	158.3	135.0	246.9	34562-763	
6	220	218.3	195.0	246.9	34562-764	

RatiopacPRO Platform Accessories

MOUNTING PLATES

ORDER INFORMATION

			Mounting plate, total width	Mounting plate, partial width
 <p style="text-align: right;">06812002</p>			 <p style="text-align: right;">bpa45875</p> <p>Al, 1.5 mm; Please order mounting kit for total width separately Torque Moment: 1.5Nm</p>	 <p>Al, 1.5 mm; Please order mounting kit for partial width separately Torque Moment: 1.5Nm and 0,37Nm</p>
Width HP	Width (W) mm	Board lengths mm	1 piece	1 piece
28	146.88	160	34562-745	34562-745
28	146.88	220	34562-749	34562-749
28	146.88	280	34562-753	34562-753
28	146.88	340	34562-757	34562-757
42	217.99	160	34562-746	34562-746
42	217.99	220	34562-750	34562-750
42	217.99	280	34562-754	34562-754
42	217.99	340	34562-758	34562-758
63	324.67	160	34562-747	34562-747
63	324.67	220	34562-751	34562-751
63	324.67	280	34562-755	34562-755
63	324.67	340	34562-759	34562-759
84	431.35	160	34562-748	-
84	431.35	220	34562-752	-
84	431.35	280	34562-756	-
84	431.35	340	34562-760	-
84	431.35	400	34562-870	-
84	431.35	460	34562-871	-
Assembly kit for mounting plate, total width PU 1 kit (Torx countersunk screw M4 x 5, St, zinc-plated, 16 pieces; screw M4 x 6, St, zinc-plated, 14 pieces; M4 square nut, St, zinc-plated, 14 pieces)			24560-184	-
Assembly kit for mounting plate, partial width 2 x St, threaded inserts 13HP, 5,0 x 2,0 mm, zinc plated; M2,5mm, 6 x screw M2,5x6, (0,37Nm) 5 x square nut M4, 5 x screw M4x6 (1,5Nm) 1 x User manual			-	24560-127



06103057

NOTE

- Please order fixing material for assembly of mounting plate separately
- A guide rail can be mounted on the first and last slot position
- 4.4" and "reinforced" guide rails cannot be used

Drawing is only for visualization. Accessories are compliant with RatiopacPRO Style, RatiopacPRO and RatiopacPRO Air

RatiopacPRO Platform Accessories

HORIZONTAL BOARD INSTALLATION

ORDER INFORMATION

			Horizontal board installation		
			Board cage	Front frame for EMC shielding	Front frame, unshielded
			<p>Struts die-cast zinc; horizontal rails front and rear; threaded insert, St, zinc-plated; fixing material kit; for horizontal mounting of double-height euroboards in 3 or 4 U high subtracks/cases; 54 TE space required; please order front frame for EMC shielding separately</p>	<p>2 horizontal covers, Al, 2.5 mm, front anodised, rear iridescent green chromated; 2 vertical trims, Al extrusion, clear passivated; stainless steel EMC gasket; front frame forms the contact between subrack and the sub-assemblies</p>	<p>Al, 2.5 mm, clear anodised; front frame with cut-out, clear internal width w = 266.35 mm</p>
Height U	Usable height h HP	Other dimensions and options Horizontal rail, front Horizontal rail, rear	PU 1 kit	PU 1 kit	1 piece
3	20		24564-117	24564-109	34564-108
3	20		24564-118	24564-109	34564-109
4	28		24564-217	24564-209	34564-208
<p>Assembly tool, for mounting the EMC gasket (stainless steel)</p>			-	24560-270	-

* For direct backplane mounting

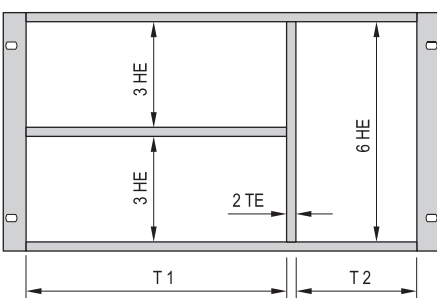
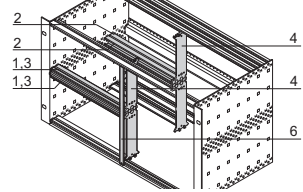
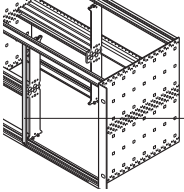
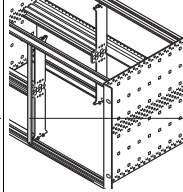
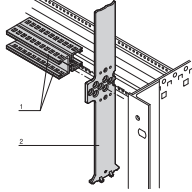
NOTE

- Please order front frame separately

RatiopacPRO Platform Accessories

COMBINED MOUNTINGS (6 U AND 2 X 3 U ONE ABOVE THE OTHER)

ORDER INFORMATION

	Combined mounting Horizontal and vertical subdivision (incl. front panel for stainless steel EMC gasket)	Alternative front panels for combined mounting		Splitting extrusion For combined mounting Item 2
		Unshielded front panel, 6 U, 2 HP item 6	Front panel for textile EMC gasket, 6 U, 2 HP item 6	
 <p style="text-align: right; font-size: small;">bza42182</p>	 <p style="text-align: right; font-size: x-small;">bpa46549</p> <p>Item 1: 2 front horizontal rails (H-KD), Al extrusion, anodised; item 2: 2 rear horizontal rails (AB), Al extrusion, anodised; item 3: threaded insert, St, zinc-plated; item 4: Zn diecast support member; item 6: front panel 2 HP, 6 U, shielded; with EMC stainless steel gasket (84:0 without items 4, 6)</p>	 <p style="text-align: right; font-size: x-small;">bpa46550</p> <p>Al, 2.5 mm, front anodised, rear iridescent green chromated</p>	 <p style="text-align: right; font-size: x-small;">bpa46550</p> <p>Al, 2.5 mm, U-profile with notch, 6 U, 2 HP</p>	 <p style="text-align: right; font-size: x-small;">bza45857</p> <p>6 U, die-cast zinc; splitting extrusion is inserted in the grid holes of the horizontal rail; the splitting extrusion can be bolted</p>
Width pitch T1:T2 HP	PU 1 kit	1 (SPQ 5)	1 piece (SPQ 5) ¹⁾	1 piece
20:62	24562-420			
40:42	24562-440			
42:40	24562-442	30847-472	30849-140	64560-010
63:19	24562-463			
84:0	24562-484			
Countersunk screw with Torx M4 x 14, zinc-plated, PU 100 pieces fixing splitting extrusion/horizontal rail	-	-	-	24560-145
Panhead screw M2.5 x 10, St, zinc-plated, PU 100 pieces fixing horizontal rail/splitting extrusion	-	-	-	24560-179
Pozidrive/slotted collar screw M2.5 x 12.3, St, nickel-plated, PU 100 pieces	-	21101-101	21101-101	-
Pozidrive/slotted collar screw M2.5, black, zinc-plated, PU 100 pieces	-	21101-102	21101-102	-
Washer, 2.7 x 5 x 1, plastic PA 6, PU 100 pieces	-	21101-121	21101-121	-
Textile gasket, core: foam, sleeve: textile cladding with CuNi coating, UL 94 V-0, PU 10 pieces	-	-	21101-855	-

1) SPQ (standard pack quantity): Order number includes 1 piece, but delivery is exclusively made in standard pack quantity (SPQ); please order at least the SPQ quantity or a multiple thereof

- Subdivision of the 6 U assembly area into:
 - 2 x 3 U
 - 1 x 6 U
- Designed to accept Euroboards (100 mm high) and double Euroboards (233.35 mm high)

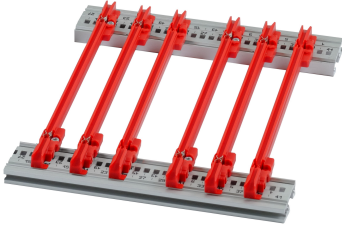
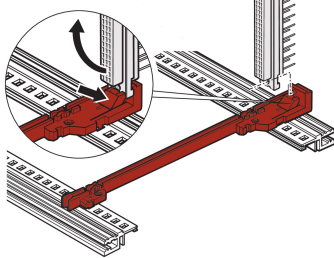
NOTE

- Please order EMC gasketing kit for horizontal rails separately, see page 5.160
- Please order perforated strips for horizontal rails separately, see page 5.170
- Please order rear centre horizontal rail separately, see page 5.168

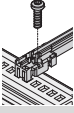

RatiopacPRO Platform Accessories

GUIDE RAILS FOR PLUG-IN UNITS AND MODULES, ONE-PIECE, GROOVE WIDTH 2 MM AND 2.5 MM

ORDER INFORMATION

			For plug-in units and frame type plug-in units Standard	With DIN connector fixing as standard
Assembly - can be clipped into Al extruded horizontal rails - can be clipped into 1.5 mm sheet metal Storage temperature from -40 °C ... 130 °C				
			Up to 220 mm length, PC, UL 94 V-0; from 280 mm length, multi-piece, end piece PC, UL 94 V-0, central section Al extrusion	PBT, UL 94 V-0, red, connector is clipped directly onto the guide rails; for euroboards 100 x 160 mm or 100 x 220 mm only
Board lengths	Groove width	Colour		
mm	mm	mm	PU 10 pieces ²⁾	1 pair (SPQ 10) ¹⁾
70	2	red	-	-
70	2	grey	-	-
160	2	red	24568-361	64560-074
220	2	red	24568-362	64560-075
280	2	red	24568-379	-
340	2	red	24568-380	-
160	2.5	red	-	-
220	2.5	red	-	-

Accessories

Retention screw, PU 100 pieces		24560-141
ESD clip, PU 50 pieces		24560-255

1) SPQ (standard pack quantity): Order number includes 1 piece, but delivery is exclusively made in standard pack quantity (SPQ); please order at least the SPQ quantity or a multiple thereof


2) Part no. includes one packing unit (PU); delivery is exclusively made in PU

Description of accessories see from page 6.43 in the EuropacPRO catalog

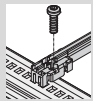
RatiopacPRO Platform Accessories

GUIDE RAILS TYPE "ACCESSORIES", ONE-PIECE, GROOVE WIDTH 2 MM AND 2.5 MM

ORDER INFORMATION

			Guide rail type "Accessories"	"Accessories" strengthened	For heavy modules, Al extrusion, silver, robust version
Assembly - can be clipped into horizontal rails in Al extrusion - can be clipped into 1.5 mm sheet metal Storage temperature from -40 °C ... +130 °C					
			Up to 220 mm length, PC, UL 94 V-0;> 280 mm length, multi-piece, end piece PC, UL 94V-0, middle section Al extrusion	PC UL 94V-0, red; supportbeam of guide rails adds to strengthening (reinforced)	Al extrusion; is screwed to horizontal rail "heavy" with retention screws
Board lengths mm	Groove width mm	Colour mm	PU 10 pieces ²⁾	1 piece (SPQ 50) ¹⁾	1 piece (SPQ 10) ¹⁾
100	2	red	-	-	-
160	2	red	24568-363	64568-076	-
160	2	grey	-	-	34562-881
220	2	red	24568-364	64568-078	-
220	2	grey	-	-	34562-882
280	2	red/silver	24568-381	64568-080	34562-883
340	2	red/silver	24568-382	-	34562-884
400	2	red/silver	-	-	34562-885
160	2.5	red/silver	-	64568-118	34564-881
220	2.5	red/silver	-	64568-119	34564-882
280	2.5	red/silver	-	64568-120	34564-883
340	2.5	silver	-	-	34564-884
400	2.5	silver	-	-	34564-885

Accessories

Retention screw, PU 100 pieces		24560-141	24560-141	24560-157
ESD clip, PU 50 pieces		24560-255		-
Board locking C, red, PU 10 pieces		24560-377		-
Board handle C, red, PU 10 pieces		24560-378		-
Identification strips for board handle, red, PU 1 sheet = 438 pieces		60817-228		-
Keying / coding peg, see page			5.176	-

1) SPQ (standard pack quantity): Order number includes 1 piece, but delivery is exclusively made in standard pack quantity (SPQ); please order at least the SPQ quantity or a multiple thereof

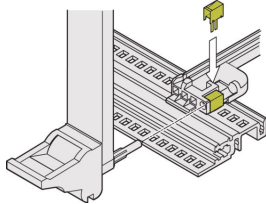
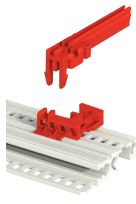
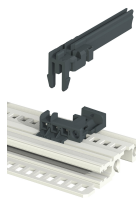
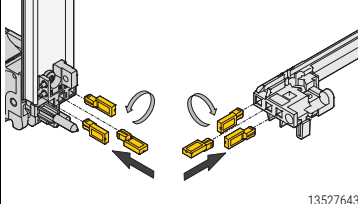
2) Part no. includes one packing unit (PU); delivery is exclusively made in PU

Description of accessories see from page 6.43 in the EuropacPRO catalog

RatiopacPRO Platform Accessories

GUIDE RAIL ACCESSORIES

ORDER INFORMATION

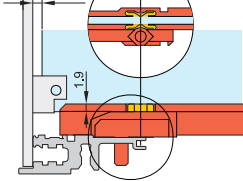
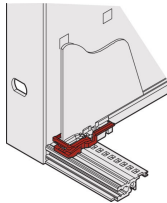
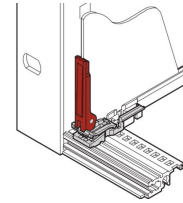
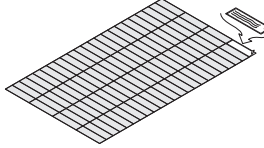
		ESD clips, CompactPCI/VME 64	Coding for sub racks		Keying/coding block for guide rails accessory type	Keying/coding for CompactPCI, VME64x handles to IEEE 1011.10 and IEC 60297-3-103
			red, RAL 3000,	grey, RAL 7016		
		 <p>108230497</p> <p>Spring steel, tin-plated, ESD clip, for alignment pin in accordance with IEEE; can be plugged into the guide rails with coding and into the keying/coding block; provides conductive contact between the alignment pin of the insertion/extractor handle (IEL or IET handle) and the horizontal rail</p>	 <p>121894752</p> <p>PC, UL 94 V-0, keying/coding block is clipped into the horizontal rail next to the guide rail; please order keying/coding pegs separately</p>	 <p>136815562</p>	 <p>135276437</p> <p>Keying/coding peg, PC, UL 94 V-0, RAL 7035 The keying/coding pegs prevent plug-in units to be mounted in wrong slots. They are inserted in the chambers of the codable card guides as well as in the insertion/extractor handles IEL or IET (4 possible positions), resulting in 64 codings per card guide; when coding the upper and lower card guide, 4096 codings will result;</p>	
Assembly	Colour	PU 50 pieces	1 piece (SPQ 50) red, RAL 3000,	grey, RAL 7016	PU 100 pieces	
above	red	-	64568-232		-	
	grey	-		64568-233	20817-501	
	silver	24560-256	-		-	
below	red	-	64568-234		-	
	grey	-		64568-235	20817-501	
	silver	24560-256	-		-	

1) SPQ (standard pack quantity): Part number includes 1 piece, but delivery is exclusively made in standard pack quantity (SPQ); please order at least the SPQ quantity or a multiple

2) Part no. includes one packing unit (PU); delivery is exclusively made in PU

GUIDE RAIL ACCESSORIES

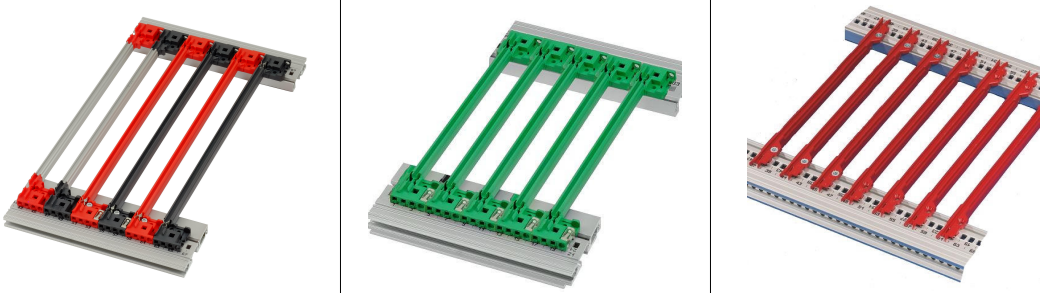
ORDER INFORMATION

		ESD clips for guide rails	Board locking C for PCBs without front panel; for accessory type guide rails	PCB handle C for board locking; for accessory type guide rails	Identification strips
		 <p>04503050</p> <p>Spring steel, tin-plated, provides conductive contact between board and horizontal rail, on both the solder side and the component side</p>	 <p>04805050</p> <p>PBT, UL 94 V-0, red, to fix the PCB in the subrack (also slot 1), can also be used without board handle, minimum distance 3 HP</p>	 <p>04805051</p> <p>PBT, UL 94 V-0, red, insertion/extraction function with connection to board locking (also slot 1), mounting directly behind front panel (above and below), minimum distance 3 HP</p>	 <p>06108076</p> <p>Polyester film, 31 x 4 mm, self-adhesive, white/matt (1 A4 sheet contains 438 pieces)</p>
Assembly	Colour	silver	red	red	white/matt
mm		PU 50 pieces	PU 10 pieces	PU 10 pieces	1 piece
above/below		24560-255	24560-377	24560-378	60817-228

RatiopacPRO Platform Accessories

GUIDE RAILS FOR COMPACTPCI, VME64X WITH CODING, 4.4" PCBs, GROOVE WIDTH 2 MM AND 2.5 MM

ORDER INFORMATION

			For CompactPCI, VME64x with coding In accordance with IEEE 1101.10 and IEC 60297-3-103	Offset 0.1" for power supply units in accordance with IEEE 1101.10 and IEC 60297-3-103	For 4.4" PCBs	
Assembly - can be clipped into Al extruded horizontal rails - can be clipped into 1.5 mm thick plates						
Storage temperature from -40 °C ... 130 °C			One-piece for groove width 2 mm, PC, UL 94 V-0; multi-piece at groove width 2,5 mm, end-piece PC, UL 94 V-0, center piece Al profile			
			PC, UL 94 V-0, for installation of power supplies in CompactPCI systems or plug-in units with SMD placement			
			One-piece, PBT, UL 94 V-0; for 4.4" PCBs or drive units			
Board lengths mm	Groove width mm	Colour mm	PU 10 pieces ²⁾	1 piece (SPQ 50) ¹⁾	PU 10 pieces ²⁾	PU 10 pieces
70	2	red	24568-357	-	-	-
70	2	grey	24568-360	-	-	-
160	2	red	24568-356	-	-	24560-361
160	2	grey	24568-358	-	-	-
160	2	green	-	24568-359	-	-
220	2	red	-	-	-	24560-362
220	2	grey	-	-	-	-
220	2	green	-	-	-	-
160	2.5	red	-	64568-109	-	-
160	2.5	grey	-	64568-110	-	-
220	2.5	red	-	64568-111	-	-
220	2.5	grey	-	64568-112	-	-
280	2.5	red	24568-331	-	-	-
280	2.5	grey	24568-341	-	-	-
340	2.5	red	24568-332	-	-	-
340	2.5	grey	24568-342	-	-	-

Accessories

ESD clip, PU 50 pieces	24560-255	-	-
ESD clips, for alignment pin, PU 50 pieces	24560-256	24560-256	-
Retention screw, PU 100 pieces	24560-141	24560-141	24560-158
Coding peg, PU 100 pieces	20817-501	20817-501	-

1) SPQ (standard pack quantity): Order number includes 1 piece, but delivery is exclusively made in standard pack quantity (SPQ); please order at least the SPQ quantity or a multiple thereof

2) Part no. includes one packing unit (PU); delivery is exclusively made in PU

Description of accessories see from page 6.43 in the EuropacPRO catalog

RatiopacPRO Platform Accessories

GUIDE RAILS, MULTI-PIECE, GROOVE WIDTH 2 and 2.5 MM

ORDER INFORMATION

			Coding (IEEE) type											
			red		grey		green, 0,1" Offset							
PCBs: Fixed lengths for 160, 220, 280, 340 mm; length 1000 mm for special dimensions Mounting: pluggable into horizontal rails Storage temperature : End piece -40°C ...+130°C PVC profile 0°C ... +60°C red = similar RAL 3000, grey = similar RAL 7016, green = similar RAL 6024			 135313686		 135313698		 135313710							
			end piece, PC, UL 94 V-0, middle section Al extrusion		end piece, PBT, UL 94 V-0, middle section plastic extrusion (PVC, RAL 7035)		end piece, PC, UL 94 V-0, middle section Al extrusion		end piece, PBT, UL 94 V-0, middle section plastic extrusion (PVC, RAL 7035)		end piece, PC, UL 94 V-0, middle section Al extrusion		end piece, PBT, UL 94 V-0, middle section plastic extrusion (PVC, RAL 7035)	
mm	Groove width mm		1 piece (SPQ 10) ¹⁾	1 piece (SPQ 10) ¹⁾	1 piece (SPQ 10) ¹⁾	1 piece (SPQ 10) ¹⁾	1 piece (SPQ 10) ¹⁾	1 piece (SPQ 10) ¹⁾	1 piece (SPQ 10) ¹⁾	1 piece (SPQ 10) ¹⁾	1 piece (SPQ 10) ¹⁾	1 piece (SPQ 10) ¹⁾	1 piece (SPQ 10) ¹⁾	
End piece, 1 pair			2	64568-093	64568-093	64568-094	64568-094	64568-095	64568-095	64568-095	64568-095	64568-095	64568-095	
Al extrusion, for 160 mm board length			95	34560-891	34564-891	34560-891	34564-891	34560-891	34564-891	34560-891	34564-891	34560-891	34564-891	
Al extrusion, for 220 mm board length			155	34560-892	34564-892	34560-892	34564-892	34560-892	34564-892	34560-892	34564-892	34560-892	34564-892	
Al extrusion, for 280 mm board length			215	34560-893	34564-893	34560-893	34564-893	34560-893	34564-893	34560-893	34564-893	34560-893	34564-893	
Al extrusion, for 340 mm board length			275	34560-894	-	34560-894	-	34560-894	-	34560-894	-	34560-894	-	
Al extrusion, for any board length			1000	34560-900	34564-900	34560-900	34564-900	34560-900	34564-900	34560-900	34564-900	34560-900	34564-900	
Description	Length mm	Groove width mm	1 piece (SPQ 10) ¹⁾	1 piece (SPQ 10) ¹⁾	1 piece (SPQ 10) ¹⁾	1 piece (SPQ 10) ¹⁾	1 piece (SPQ 10) ¹⁾	1 piece (SPQ 10) ¹⁾	1 piece (SPQ 10) ¹⁾	1 piece (SPQ 10) ¹⁾	1 piece (SPQ 10) ¹⁾	1 piece (SPQ 10) ¹⁾	1 piece (SPQ 10) ¹⁾	
End piece, 1 pair			2.5	64568-093		64568-094		64568-095		64568-095		64568-095		
Al extrusion, for 160 mm board length			95	34562-813	-	34562-813	-	34562-813	-	34562-813	-	34562-813	-	
Al extrusion, for 220 mm board length			155	34562-814	-	34562-814	-	34562-814	-	34562-814	-	34562-814	-	
Al extrusion, for 280 mm board length			215	34562-815	-	34562-815	-	34562-815	-	34562-815	-	34562-815	-	
Al extrusion, for 340 mm board length			275	34562-816	-	34562-816	-	34562-816	-	34562-816	-	34562-816	-	
Al extrusion, for any board length			1000	34562-822	-	34562-822	-	34562-822	-	34562-822	-	34562-822	-	

Accessories

ESD clip, PU 50 pieces	24560-255	24560-255	24560-255	24560-255	24560-255	24560-255	24560-255
ESD clips, for alignment pin, PU 50 pieces	24560-256	24560-256	24560-256	24560-256	24560-256	24560-256	24560-256
Retention screw, PU 100 pieces; torque max. 0.2 Nm	24560-141	24560-141	24560-141	24560-141	24560-141	24560-141	24560-141
Coding peg	20817-501	20817-501	20817-501	20817-501	20817-501	20817-501	20817-501

1) SPQ (standard pack quantity): Part number includes 1 piece, but delivery is exclusively made in standard pack quantity (SPQ) please order at least the SPQ quantity or a multiple

2) Part no. includes one packing unit (PU); delivery is exclusively made in PU

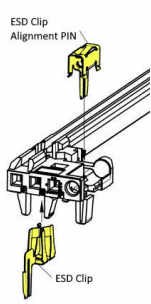
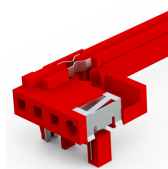
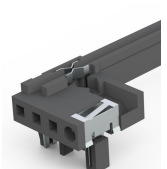
NOTE

- End pieces with coding can be used for groove width 2.0mm as well as for 2.5mm



RatiopacPRO Platform Accessories

GUIDE RAILS FOR COMPACTPCI, VME64X WITH CODING, PREASSEMBLED ESD CLIPS, GROOVE WIDTH 2 MM

ORDER INFORMATION

				Type with Coding , for CompactPCI, VME64x application. In accordance with IEEE 1101.10 and IEC 60297-3-103 ESD CLIPS preassembled	
				red colour	grey colour
Assembly - can be clipped into Al extruded horizontal rails - can be clipped into 1.5 mm thick plates Storage temperature from -40 °C ... 130 °C Colors of Plastic Material red: RAL 3000 grey: RAL 7016 Remark: At least one guide rail with ESD clips is required per slot, to avoid electrostatic discharges					
				One-piece for groove width 2 mm, PC, UL 94 V-0; ESD Clip and ESD Clip for Alignment PIN preassembled 	One-piece for groove width 2 mm, PC, UL 94 V-0; ESD Clip and ESD Clip for Alignment PIN preassembled 
				Picture shows 160mm long guide rail, mounting position bottom	Picture shows 160mm long guide rail, mounting position bottom
Board length	Groove width	Colour	Mounting Position	PU 10 pieces	PU 10 pieces
mm	mm	mm			
70	2	red	bottom	24568-855	
70	2	red	top	24568-853	
160	2	red	bottom	24568-847	
160	2	red	top	24568-850	
70	2	grey	bottom		24568-856
70	2	grey	top		24568-854
160	2	grey	bottom		24568-848
160	2	grey	top		24568-851

Accessories

Retention screw, PU 100 pieces; torque max. 0.2 Nm		24560-141	24560-141	
Coding peg, PU 100 pieces		20817-501	20817-501	

2) Part no. includes one packing unit (PU); delivery is exclusively made in PU

Description of accessories see from page 6.43 in the EuropacPRO catalog

RatiopacPRO Platform Service Plus

Configurator

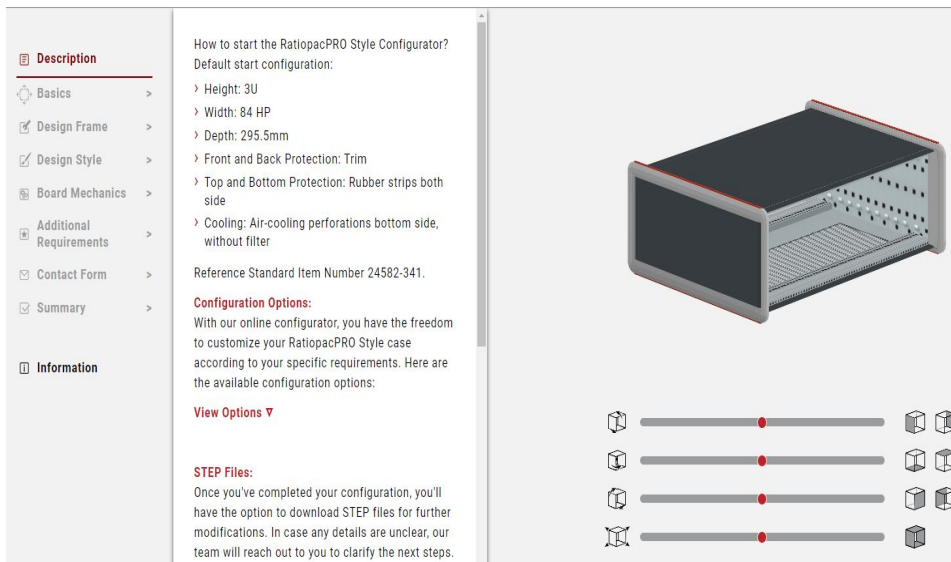
Our online chassis configurator supports countless different configuration options.

To configure a chassis, users can:

- Select the basics of the chassis, such as height, width, depth, EMC, and air cooling.
- Choose the design style of the chassis, including the color of the top/bottom/side covers, side frame, rubber strip, and graphics.
- Design the frame of the chassis, including the front frame design and rear frame design.
- Choose the board mechanics of the chassis, such as front panels, mounting front, rear panels, and mounting rear.



The look you want, the quality you need



Description

How to start the RatiopacPRO Style Configurator?
Default start configuration:

- > Height: 3U
- > Width: 84 HP
- > Depth: 295.5mm
- > Front and Back Protection: Trim
- > Top and Bottom Protection: Rubber strips both side
- > Cooling: Air-cooling perforations bottom side, without filter

Reference Standard Item Number 24582-341.

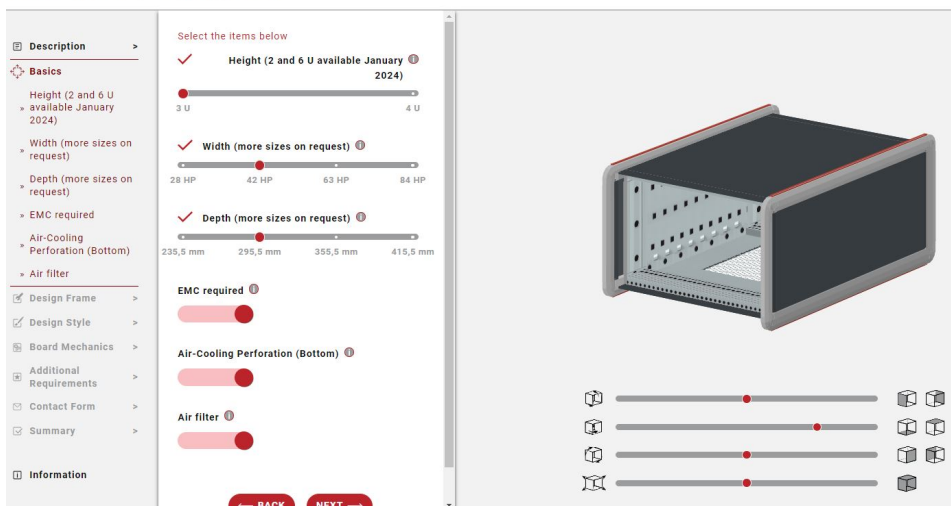
Configuration Options:
With our online configurator, you have the freedom to customize your RatiopacPRO Style case according to your specific requirements. Here are the available configuration options:

[View Options ▾](#)

STEP Files:
Once you've completed your configuration, you'll have the option to download STEP files for further modifications. In case any details are unclear, our team will reach out to you to clarify the next steps.



The look you want, the quality you need



Select the items below

- ✓ Height (2 and 6 U available January 2024)
 - 3 U
 - 4 U
- ✓ Width (more sizes on request)
 - 28 HP
 - 42 HP
 - 63 HP
 - 84 HP
- ✓ Depth (more sizes on request)
 - 235,5 mm
 - 295,5 mm
 - 355,5 mm
 - 415,5 mm
- EMC required
 -
 -
- Air-Cooling Perforation (Bottom)
 -
 -
- Air filter
 -
 -

← BACK NEXT →

Link to the configurator: <https://configurators.schroff.biz/ratiopacpro-style>

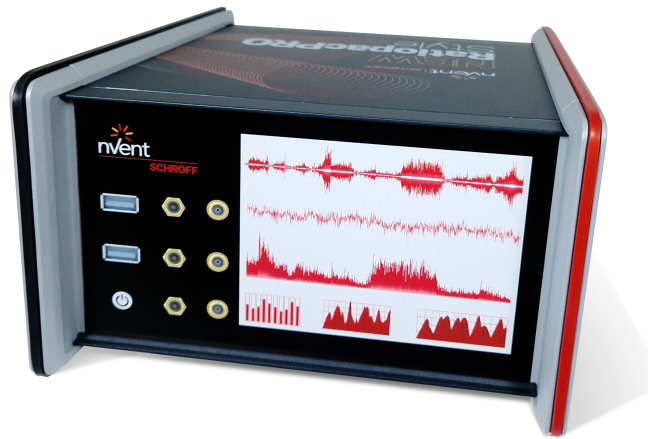
RatiopacPRO Platform Service Plus

MODIFICATION

APPLICATION EXAMPLES



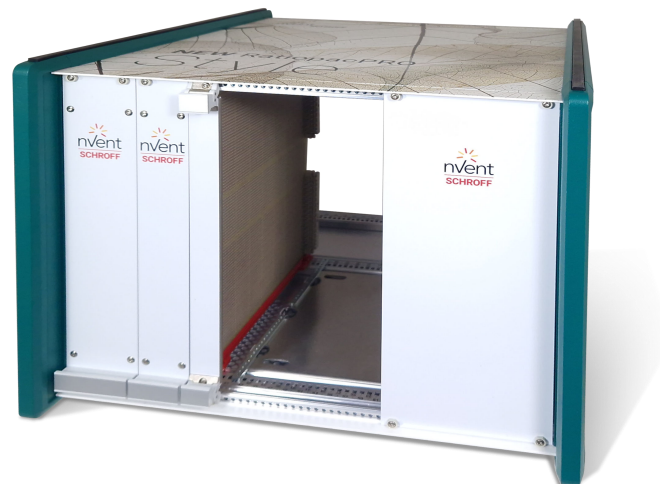
RatiopacPRO Style with card cage for 19 boards



RatiopacPRO Style full-width screwless front panel and mounting plate



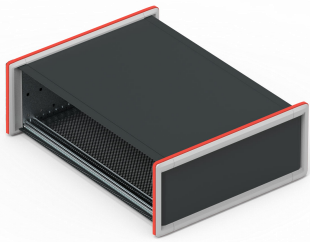
Easy stackable by removing rubber strips from lower chassis



Custom print and design available on request

Desk-top cases – Introduction

CASE TYPES: DESK-TOP ENCLOSURE/19" CASE



Desk-top enclosure, RatiopacPRO Style



19" case, comptec

02202004

Desk-top enclosures

Our desk-top cases are used to house PCBs (euroboards) or individual components

The choice is yours:

- RatiopacPRO Style or RatiopacPRO / Pro Air, the universal case with 19" compatible dimensions and high EMC shielding, e.g. for CompactPCI and VME64x applications
- PropacPRO, the robust case with high EMC shielding for 19"-compatible or custom electronics assemblies
- CompacPRO, Desk-top or portable case for unshielded applications

19" cases

Our comptec cases are comparable with small cabinets and are used to house 19" components such as subracks, 19" fan trays or 19" front panels

All desk-top enclosures have a very low weight owing to the materials used and are also suitable for mobile use

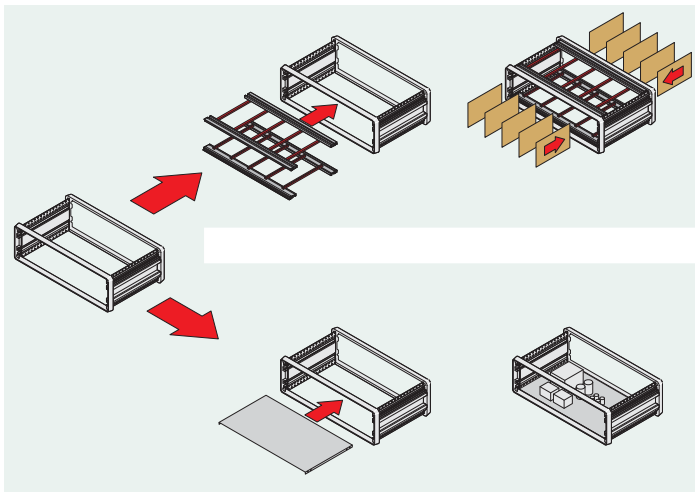
APPLICATIONS FOR DESK-TOP ENCLOSURES

The most important user domains for desk-top enclosures are:

- Fitting with euroboards in accordance with IEC 60297



- Fitting with individual electrical or mechanical components, e.g. on mounting plates



ONE PRODUCT PLATFORM AND EXTENSIVE ACCESSORIES

- Practical technology without time-consuming assembly. The modular product platform of these cases allows a wide range of possible uses with only a small number of components.

The intelligent design of all components results in an astonishingly quick and easy assembly of the components.

With our PRO product platform we offer you full compatibility of all individual components and accessories, also with our europacPRO subracks.

Standard desk-top enclosures can also be adapted easily and with little effort for mobile applications.

Desk-top cases – Introduction

FORMS OF DELIVERY FOR DESK-TOP ENCLOSURES



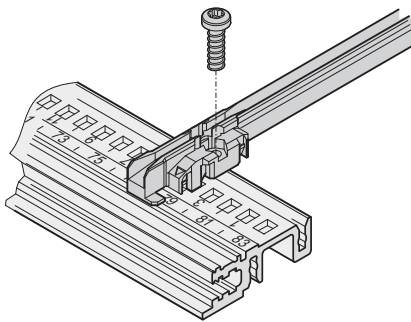
Flat pack delivery to save space

Supplied in space-saving packs. Simply unpack parts and screw together - done.

Depending on the kit chosen the threaded insert, the perforated rail or the EMC gasket is pre-assembled on the horizontal rail.

We offer you three forms of delivery:

- Pre-assembled empty case kit for individual configuration, frame assembled, cladding parts supplied loose.
- Ready assembled cases to your specifications. With our ServicePLUS option you can order ready-assembled cases, with drilled holes and cutouts and individual front panels - if necessary even by express service -.

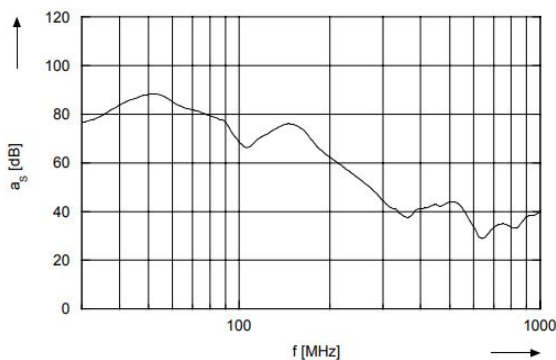


06100084

- Guide rails form the interface between the mechanics of the case and the electronics assembled (PCBs, plug-in units, frame type plug-in units, drive unit modules, etc.).

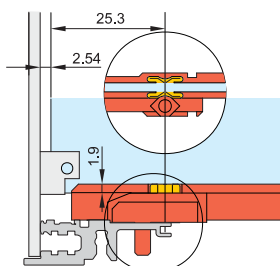
Robust snap-in fixings on the plastic rails assure that the components are held securely, even when exposed to vibrations.

Guide rails can also be screwed on.



- Our case product platforms offer standard solutions for achieving electromagnetic compatibility (EMC) and to avoid electrostatic interference (ESD)
- Shielding on the front and rear of the case is effected by front panels with EMC gaskets
- To prevent electrostatic discharge when inserting PCBs, ESD contacts are clipped into the guide rails. These provide a conductive connection between board and case earth/ground
- Test reports are available on our website for download

Shielding



04503050

Position of the ESD clip

North America

Warwick, RI, USA

Tel +1.401.738.1722

San Diego, CA, USA

Tel +1.858.740.2400

Europe, Middle East & India

Straubenhardt, Germany

Tel +49 7082 794 0

Betschdorf, France

Tel +33 3 88 90 64 90

Warsaw, Poland

Tel +48 22 209 98 35

Hemel Hempstead,

Great Britain

Tel +44 1442 24 04 71

Lainate, Italy

Tel +39 02 932 714 1

Dubai, United Arab Emirates

Tel +971 4 82 38 666

Bangalore, India

Tel +91 80 6715 8900

Istanbul, Turkey

Tel +90 541 368 0941

Asia Pacific

Shanghai, China

Tel +86 21 2412 6943

Singapore

Tel +65 6768 5800

Shin-Yokohama, Japan

Tel +81 45 476 0271

Our powerful portfolio of brands:

CADDY ERICO HOFFMAN RAYCHEM SCHROFF TRACER



[nVent.com/SCHROFF](https://www.nvent.com/SCHROFF)