



CONNECT AND PROTECT

# Power Supply Systems



# Power supplies – Overview

## OVERVIEW

### MAIN KATALOG

- Cabinets ..... 1
- Wall mounted cases ..... 2
- Accessories for cabinets and wall mounted cases .. 3
- Climate control .. 4
- Electronics cases ..... 5
- Subracks/ 19" chassis ..... 6
- Front panels, plug-in units .... 7
- Systems ..... 8
- Power supply units ..... 9
- Backplanes .... 10
- Connectors, front panel component system ..... 11
- Appendix ..... 12



### 19" AC/DC SWITCH-MODE PSUS

- Compact PSUs with high efficiency level

### 19" AC/DC LINEAR REGULATORS

- Very low interference, optimised for medical applications



### 19" DC/DC SWITCH-MODE PSUS

- Large DC input voltage range and high performance

# Power supplies – Overview



## PSUS FOR MICROTCA APPLICATIONS

- Plug-in PSUs in double full-size format with and without management

## PSUS FOR VMEBUS APPLICATIONS

- AC/DC and DC/DC switch-mode PSUs in 19" or open frame design



## PSUS FOR COMPACTPCI AND VME64X APPLICATIONS

- AC/DC and DC/DC switch-mode PSUs in 19" or open frame design



Overview . . . . 9.0

19" AC/DC switch-mode PSUs

AC/DC regulators

Single, 42 W . . . . 9.2

Single, 50 W . . . . 9.3

Single, 100 W . . . . 9.4

Single, adjustable, 100 W . . . . . 9.5

Single, 180 W . . . . 9.6

Dual, 100 W . . . . 9.7

Triple, 100 W . . . . 9.8

Triple, 130 W . . . . 9.9

AC/DC linear regulators

Single, 8 - 60 W . . . 9.10

Dual, 10 - 58 W . . . 9.11

Triple, 7 - 39 W . . . 9.12

DC/DC switch-mode PSUs

Single, 100 W . . . . 9.13

Dual, 100 W . . . . 9.14

Triple, 100 W . . . . 9.15

Accessories

Z-rail, 4 HP . . . . . 9.16

Connector H 15 F . . . 9.16

Keying/coding . . . . 9.17

Wall/horizontal rail mounting . . . . 9.17

PSUs for MicroTCA

MTCA double, with management . . . . 9.18

MTCA double, without management . . . . 9.19

PSUs for VMEbus

19", AC/DC, triple, 150/224 W . . . . . 9.20

Open frame, AC/DC, triple, 444 ... 800 W . . . . 9.21

PSUs for CompactPCI, CompactPCI Serial, and VME64x

CPCI Serial, 19", AC/DC, 3 U, 300 W . . . . . 9.23

19" AC/DC, 3/6 U, 250/500 W . . . . . 9.23

AC/DC open frame, triple, 300/600 W . . . . . 9.25

19" DC/DC, 3/6 U, 250/500 W . . . . . 9.27

# Power supplies – 19" AC/DC switch-mode PSUs

## SLIMPOWER 42 W, SINGLE



- Width only 3 HP
- Wide input voltage range  
85 ... 254 VAC and 120 ... 360 VDC
- Single output voltage with low interferences  
(low ripple < 10 mV<sub>pp</sub>)
- Integrated decoupling diode for redundancy operation  
(can be activated)
- Passive Current Share Bus
- Signalling: Output voltage OK



### DELIVERY COMPRISES

11302001

Qty	Description
1	19"-compatible power supply unit height 3 U width 3 HP depth 171.93 mm (160 mm board depth) connector H 15 M

### ORDER INFORMATION

Voltage V	Current A	Power W	Description	Part no.
5	6	30	SLE 105	<b>13100-136</b>
12	3.5	42	SLE 112	13100-137
15	2.8	42	SLE 115	<b>13100-138</b>
24	1.7	41	SLE 124	13100-139

Front panel 3 HP, Al, front anodised, rear iridescent green chromated, with vertical grooves for EMC gaskets,  
incl. assembly kit, 1 piece

**21006-959**

EMC gaskets (stainless steel) 3 U, 97 mm, stainless steel, two pieces necessary per front panel, PU 10 pieces

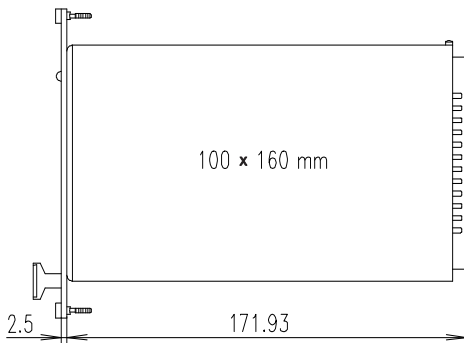
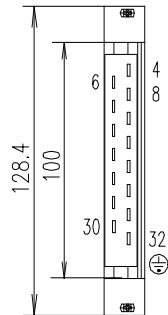
**21101-705**

Connector H 15 F Mating connector (female) for wiring inputs/ outputs (6.3 mm FASTON), 1 piece

**69001-733**

### Note

- **Please order front panel separately**
- Output data at T<sub>A</sub> = 0 ... 50 °C
- Further accessories see page 9.16



TE = HP

### Connector pin-out

Pin	Connection
4	Output + V <sub>1</sub>
6	Output + V <sub>1</sub>
8	Sense line + V <sub>1</sub>
10	Sense line 0 V <sub>1</sub>
12	Output 0 V <sub>1</sub>
14	Output 0 V <sub>1</sub>
16	-
18	-
20	-
22	-
24	Output OK
26	-
28	L
30	N
32	PE ⊕

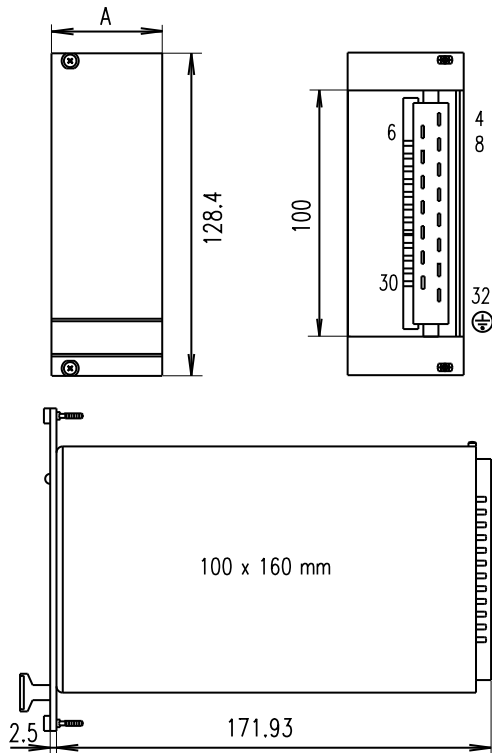
11302054

# Power supplies – 19" AC/DC switch-mode PSUs

## Maxpower 50 W, single



11317001



### Connector pin-out

Pin	Connection
4	Output + V <sub>1</sub>
6	Output + V <sub>1</sub>
8	Sense line + V <sub>1</sub>
10	Sense line 0V V <sub>1</sub>
12	Output 0V V <sub>1</sub>
14	Output 0V V <sub>1</sub>
16	Parallel operation
18	-
20	Test
22	-
24	Output OK
26	-
28	L
30	N
32	PE ⊕

- Wide input voltage range 90 to 253 V<sub>AC</sub> and 130 to 340 V<sub>DC</sub>
- 1 output voltage
- Signaling: Output voltage OK
- Includes installed front panel
- Efficiency up to 88%
- Standby (no load) power output < 1.5 W
- Redundancy operation
  - With hot swap function
  - With active OR decoupling
  - 24 V, 48 V version with decoupling diode - hot swap
  - No base load required
  - Automatic load distribution depending on power supply unit (PSU) temperature
  - No current share line between the power supplies necessary
  - Quasi-resonant topology reduces emissions that affect electromagnetic compatibility (EMC)



### DELIVERY INCLUDES

Qty.	Description
1	19" compatible power supply with installed front plate height 3 U width A: 6 HP depth 171.93 mm (160 mm board depth) H15M connector coding strip (fitted) EMC seal (included)

### ORDER INFORMATION

Voltage V	Current A	Power W	Description	Part no.
5	10	50	MAX50-105	<b>13100-170</b>
12	4.2	51	MAX50-112	<b>13100-171</b>
15	3.4	51	MAX50-115	<b>13100-172</b>
24	2.1	51	MAX50-124	<b>13100-173</b>
48	1.1	53	MAX50-148	<b>13100-174</b>

### Accessories

Connector H 15 F FASTON connection, 1 piece	<b>69001-733</b>
Coding PU (1 keying/coding strip, 2 pieces keying/coding pins)	<b>60800-123</b>

### Note

- Output data at TU = -25 ... 50 °C
- Customized front panels available at [www.frontplattenexpress.eu](http://www.frontplattenexpress.eu)

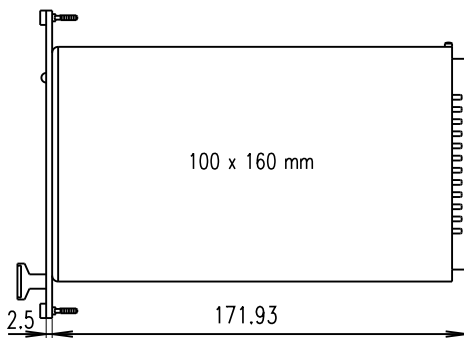
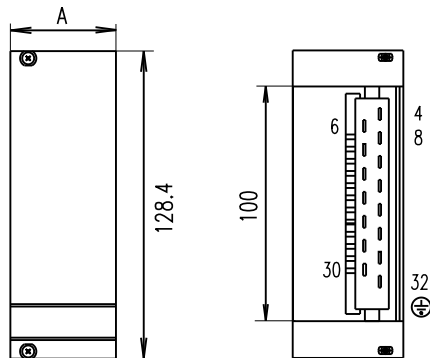
DJIM0084

# Power supplies – 19" AC/DC switch-mode PSUs

## MAXPOWER 100 W, SINGLE



11399005



### Connector pin-out

Pin	Connection
4	Output + V <sub>1</sub>
6	Output + V <sub>1</sub>
8	Sense line + V <sub>1</sub>
10	Sense line 0 V <sub>1</sub>
12	Output 0 V <sub>1</sub>
14	Output 0 V <sub>1</sub>
16	–
18	–
20	–
22	CSB
24	Output OK
26	–
28	L
30	N
32	PE ⊕

DJLM0084

- Wide input voltage range 90 ... 254 V<sub>AC</sub> and 100 ... 360 V<sub>DC</sub> with active power factor correction (PFC)
- High power density
- Single output voltage
- Integrated decoupling diode for redundancy operation
- Active current share bus (CSB)
- Signalling: Output voltage OK



### DELIVERY COMPRISES

Qty	Description
1	19" compatible power supply height 3 U width A: 6 HP depth 171.93 mm (160 mm board depth) connector H 15 M coding strip (fitted)

### ORDER INFORMATION

Voltage V	Current A	Power W	Description	Part no.
5	16	80	MAX 105	<b>13100-102</b>
12	8.3	100	MAX 112	13100-103
15	6.6	99	MAX 115	13100-104
24	4.2	101	MAX 124	<b>13100-105</b>
Front panel 6 HP, Al, front anodised, rear iridescent green chromated, with vertical grooves for EMC gaskets, incl. assembly kit, 1 piece				<b>21006-943</b>
EMC gaskets (stainless steel) 3 U, 97 mm, stainless steel, two pieces necessary per front panel, PU 10 pieces				<b>21101-705</b>
Connector H 15 F Mating connector (female) for wiring inputs/ outputs (6.3 mm FASTON), 1 piece				<b>69001-733</b>
Coding PU (1 keying/coding strip, 2 pieces keying/coding pins)				<b>60800-123</b>

### Note

- **Please order front panel separately**
- Output data for mains voltage > 190 V<sub>AC</sub>, T<sub>A</sub> = 0 ... 50 °C
- Further accessories see page 9.16

# Power supplies – 19" AC/DC switch-mode PSUs

## MAXPOWER 100 W, ADJUSTABLE, SINGLE



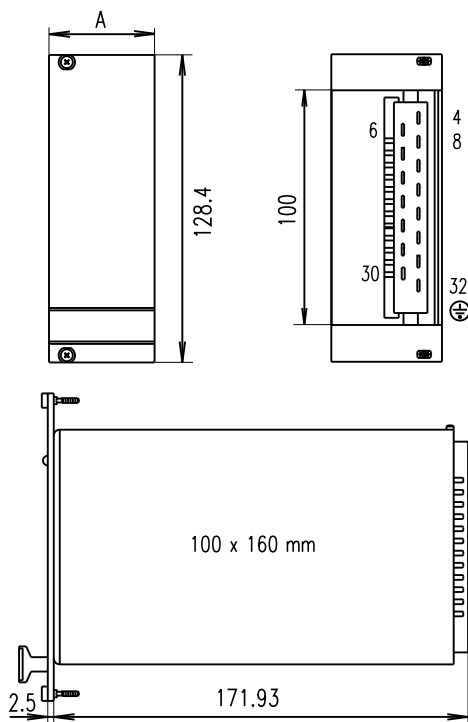
- Wide adjustment range of output voltage
- Wide input voltage range 90 ... 264 V<sub>AC</sub> and 100 ... 360 V<sub>DC</sub> with active Power Factor Correction (PFC)
- Single output voltage
- Integrated decoupling diode for redundancy operation
- Active Current Share Bus (CSB)
- Signalling: Output voltage OK



### DELIVERY COMPRISES

Qty	Description
1	19" compatible power supply height 3 U width A: 6 HP depth 171.93 mm (160 mm board depth), output voltage factory preset to 12 V / 24 V Connector H 15 M Coding strip (fitted)

11303001



### ORDER INFORMATION

Voltage V	Current A	Power W	Description	Part no.
4.5-17	5.9	100	MAX LR	<b>13100-133</b>
16-30	3.4	102	MAX UR	13100-134

Front panel 6 HP, Al, front anodised, rear iridescent green chromated, with vertical grooves for EMC gaskets, incl. assembly kit, 1 piece **21006-954**

EMC gaskets (stainless steel) 3 U, 97 mm, stainless steel, two pieces necessary per front panel, PU 10 pieces **21101-705**

Connector H 15 F Mating connector (female) for wiring inputs/ outputs (6.3 mm FASTON), 1 piece **69001-733**

Coding PU (1 keying/coding strip, 2 pieces keying/coding pins) **60800-123**

### Note

- **Please order front panel separately**
- Output data for mains voltage > 190 V<sub>AC</sub>, T<sub>A</sub> = 0 ... 50 °C
- Further accessories see page 9.16

DUM0084

### Connector pin-out

Pin	Connection
4	Output + V <sub>1</sub>
6	Output + V <sub>1</sub>
8	Sense line + V <sub>1</sub>
10	Sense line 0 V <sub>1</sub>
12	Output 0 V <sub>1</sub>
14	Output 0 V <sub>1</sub>
16	-
18	-
20	-
22	CSB
24	Output OK
26	-
28	L
30	N
32	PE ⊕

# Power supplies – 19" AC/DC switch-mode PSUs

## MAXPOWER 180 W, SINGLE



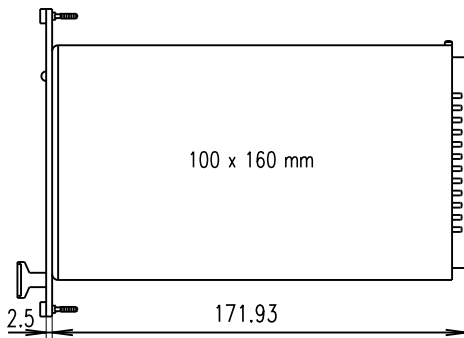
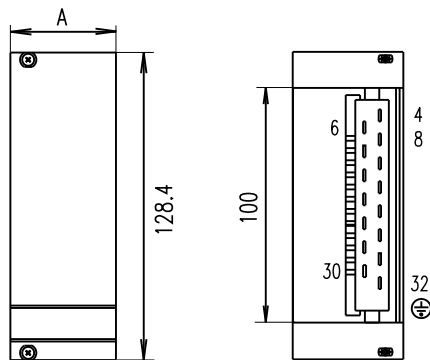
- Wide input voltage range 90 ... 254 V<sub>AC</sub> and 100 ... 360 V<sub>DC</sub> with active Power Factor Correction (PFC)
- Single output voltage
- Integrated active decoupling for redundancy operation
- Active Current Share Bus (CSB)
- Signalling: Output voltage OK
- Efficiency up to 87 %



### DELIVERY COMPRISES

Qty	Description
1	19" compatible power supply height 3 U width A: 8 HP depth 171.93 mm (160 mm board depth) connector H 15 M coding strip (fitted)

11308005



### ORDER INFORMATION

Voltage V	Current A	Power W	Description	Part no.
5	30	150	MAX 180-105	13100-150
12	13	156	MAX 180-112	13100-151
15	11	165	MAX 180-115	13100-152
24	7	168	MAX 180-124	<b>13100-153</b>

Front panel 8 HP, Al extrusion, front anodised, rear iridescent green chromated, shielded with fixed textile gasket, incl. assembly kit, 1 piece

Connector H 15 F Mating connector (female) for wiring inputs/outputs (6.3 mm FASTON), 1 piece

Coding PU (1 keying/coding strip, 2 pieces keying/coding pins)

### Note

- **Please order front panel separately**
- Output data for mains voltage > 190 V<sub>AC</sub>, T<sub>A</sub> = 0 ... 50 °C
- Further accessories see page 9.16

DJLM0084

### Connector pin-out

Pin	Connection
4	Output + V <sub>1</sub>
6	Output + V <sub>1</sub>
8	Sense + V <sub>1</sub>
10	Sense 0V V <sub>1</sub>
12	Output 0V V <sub>1</sub>
14	Output 0V V <sub>1</sub>
16	Output + V <sub>1</sub>
18	Output 0V V <sub>1</sub>
20	Test
22	CSB
24	DC output OK
26	-
28	L
30	N
32	PE ⊕



# Power supplies – 19" AC/DC switch-mode PSUs

## MAXPOWER 100 W, DUAL



- Wide input voltage range 90 ... 254 V<sub>AC</sub> and 100 ... 360 V<sub>DC</sub> with active power-factor correction (PFC)
- High power density
- 2 output voltages
- Efficiency up to 80%



### DELIVERY COMPRISES

Qty	Description
1	19"-compatible power-supply unit height: 3 U width A: 8 HP depth 171.93 mm (160 mm board depth) connector H 15 M coding strip (fitted)

11300010

### ORDER INFORMATION

Voltage V	Current A	Power W	Description	Part no.
V1: 5 V2: 12	I <sub>1</sub> : 9 I <sub>2</sub> : 4	93	MAX 2512	13100-112
V1: 5 V2: 24	I <sub>1</sub> : 9 I <sub>2</sub> : 2	93	MAX 2524	<b>13100-114</b>
V1: 12 V2: -12	I <sub>1</sub> : 4.2 I <sub>2</sub> : 4.2	101	MAX 212	13100-115
V1: 15 V2: -15	I <sub>1</sub> : 3.4 I <sub>2</sub> : 3.4	102	MAX 215	<b>13100-116</b>

Front panel 8 HP, Al, front anodised, rear iridescent green chromated, with vertical grooves for EMC gaskets, incl. assembly kit, 1 piece **21006-945**

EMC gaskets (stainless steel) 3 U, 97 mm, stainless steel, two pieces necessary per front panel, PU 10 pieces **21101-705**

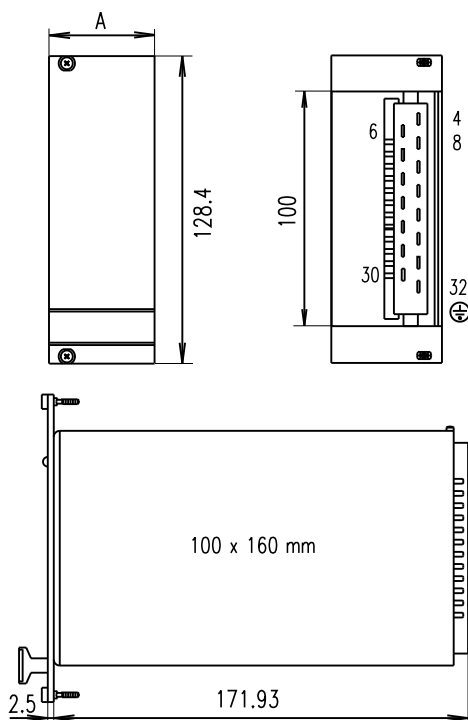
Connector H 15 F Mating connector (female) for wiring inputs/ outputs (6.3 mm FASTON), 1 piece **69001-733**

Coding PU (1 keying/coding strip, 2 pieces keying/coding pins) **60800-123**

### Note

- **Please order front panel separately**
- Output data for mains voltage > 190 V<sub>AC</sub>, T<sub>A</sub> = 0 ... 50 °C
- Further accessories see page 9.16

DUM0084



### Connector pin-out

Pin	Connection
4	–
6	–
8	–
10	–
12	–
14	–
16	Output + V <sub>1</sub>
18	Output 0 V <sub>1</sub>
20	Output + V <sub>2</sub>
22	Output 0 V <sub>2</sub>
24	–
26	–
28	L
30	N
32	PE ⊕

# Power supplies – 19" AC/DC switch-mode PSUs

## MAXPOWER 100 W, TRIPLE



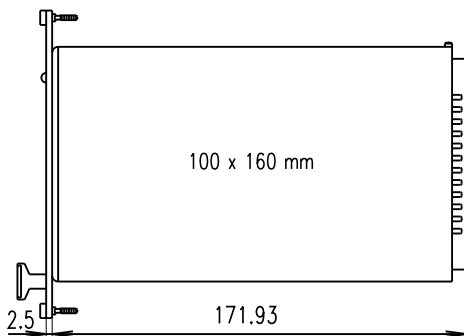
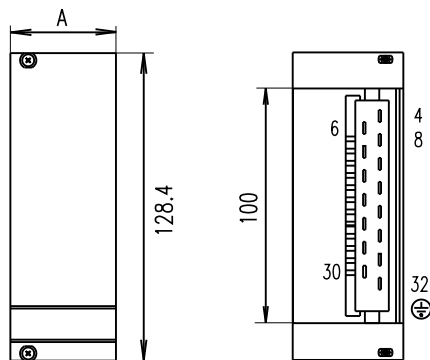
- Wide input voltage range 90 ... 254 V<sub>AC</sub> and 100 ... 360 V<sub>DC</sub> with active power-factor correction (PFC)
- High power density
- 3 output voltages
- Signalling: Output voltage OK



### DELIVERY COMPRISES

Qty	Description
1	19" compatible power supply height 3 U width A: 8 HP depth 171.93 mm (160 mm board depth) connector H 15 M coding strip (fitted)

11300011



### ORDER INFORMATION

Voltage V	Current A	Power W	Description	Part no.
V1: 5	I <sub>1</sub> : 8	100	MAX 312	13100-122
V2: 12	I <sub>2</sub> : 2.5			
V3: -12	I <sub>3</sub> : 2.5			
V1: 5	I <sub>1</sub> : 8	100	MAX 315	13100-123
V2: 15	I <sub>2</sub> : 2			
V3: -15	I <sub>3</sub> : 2			
Front panel 8 HP, Al, front anodised, rear iridescent green chromated, with vertical grooves for EMC gaskets, incl. assembly kit, 1 piece				<b>21006-945</b>
EMC gaskets (stainless steel) 3 U, 97 mm, stainless steel, two pieces necessary per front panel, PU 10 pieces				<b>21101-705</b>
Connector H 15 F Mating connector (female) for wiring inputs/ outputs (6.3 mm FASTON), 1 piece				<b>69001-733</b>
Coding PU (1 keying/coding strip, 2 pieces keying/coding pins)				<b>60800-123</b>

### Note

- **Please order front panel separately**
- Output data for mains voltage > 190 V<sub>AC</sub>, T<sub>A</sub> = 0 ... 50 °C
- Further accessories see page 9.16

DJLM0084

### Connector pin-out

Pin	Connection
4	Output + V <sub>1</sub>
6	Output + V <sub>1</sub>
8	Sense line + V <sub>1</sub>
10	Sense line 0V V <sub>1</sub>
12	Output 0V V <sub>1,2</sub>
14	Output 0V V <sub>1,2</sub>
16	Output + V <sub>2</sub>
18	Output 0V V <sub>1,2</sub>
20	Output 0V V <sub>3</sub>
22	Output - V <sub>3</sub>
24	Output OK
26	-
28	L
30	N
32	PE ⊕

# Power supplies – 19" AC/DC switch-mode PSUs

## MAXPOWER 130 W, TRIPLE



- Wide input voltage range 90 ... 254 V<sub>AC</sub> and 100 ... 360 V<sub>DC</sub> with active Power Factor Correction (PFC)
- 3 output voltages
- Signalling: Output voltage OK



### DELIVERY COMPRISES

Qty	Description
1	19" compatible power supply height 3 U width A: 12 HP depth 171.93 mm (160 mm board depth) connector H 15 M coding strip (fitted)

11399009

### ORDER INFORMATION

Voltage V	Current A	Power W	Description	Part no.
V1: 5	I <sub>1</sub> : 16	132	SEG 312	13100-078
V2: 12	I <sub>2</sub> : 2.8			
V3: -12	I <sub>3</sub> : 1.4			
V1: 5	I <sub>1</sub> : 16	132	SEG 315	13100-079
V2: 15	I <sub>2</sub> : 2.2			
V3: -15	I <sub>3</sub> : 1.1			

Front panel 12 HP, Al, front anodised, rear iridescent green chromated, with vertical grooves for EMC gaskets, incl. assembly kit, 1 piece **21006-946**

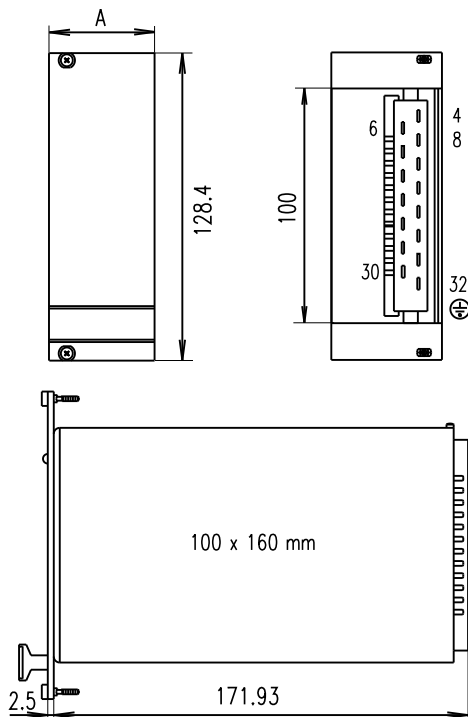
EMC gaskets (stainless steel) 3 U, 97 mm, stainless steel, two pieces necessary per front panel, PU 10 pieces **21101-705**

Connector H 15 F Mating connector (female) for wiring inputs/ outputs (6.3 mm FASTON), 1 piece **69001-733**

Coding PU (1 keying/coding strip, 2 pieces keying/coding pins) **60800-123**

### Note

- **Please order front panel separately**
- Output data for mains voltage > 190 V<sub>AC</sub>, T<sub>A</sub> = 0 ... 50 °C
- Further accessories see page 9.16



### Connector pin-out

Pin	Connection
4	Output + V <sub>1</sub>
6	Output + V <sub>1</sub>
8	Sense + V <sub>1</sub>
10	Sense 0V V <sub>1</sub>
12	Output 0V V1,2,3
14	Output 0V V1,2,3
16	Output + V <sub>2</sub>
18	Output 0V V1,2,3
20	Output 0V V1,2,3
22	Output - V <sub>3</sub>
24	Output OK
26	-
28	L
30	N
32	PE ⊕

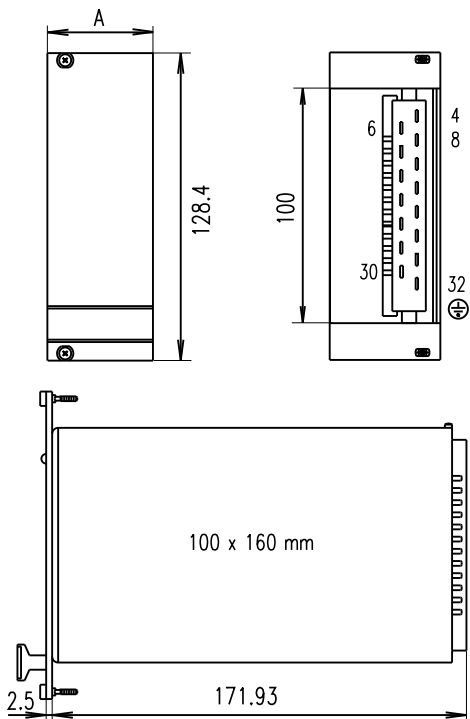
DJM0084

# Power supplies – 19" AC/DC linear regulators

## LINEAR REGULATORS, SINGLE



11397001



DLJM0084

### Connector pin-out

Pin	PSK single	PSM, PSG single
4	Sense line + V <sub>1</sub>	Sense line + V <sub>1</sub>
6	Output + V	Output + V
8	Output + 0 V <sub>1</sub>	Output + 0 V <sub>1</sub>
10	Sense line 0 V <sub>1</sub>	Sense line 0 V <sub>1</sub>
12	–	Optional: redundancy diode
14	–	External on/off
16	–	GND
18	–	V remote input + V <sub>c</sub>
20	–	V-shunt + V <sub>s</sub>
22	–	V-shunt – V <sub>s</sub>
24	–	–
26	–	–
28	L	L
30	N	N
32	PE ⊕	PE ⊕

- Mains/line voltage 230 V<sub>AC</sub> (can be switched to 115 V<sub>AC</sub> with mains/line voltage conversion kit)
- High control accuracy, low residual ripple and low interference, suitable for medical applications (8 mm safety clearances)
- PSM, PSG
  - Output voltage can be remote controlled externally (1 ... 10 V)
  - Switching of control curve for sensitive loads (U/I - Fold Back)
  - Current measurement via shunt

**CE** EN 60950 approved

### DELIVERY COMPRISES

Qty	Description
1	19" compatible power supply height 3 U width A: 6, 10, 14 HP depth 171.93 mm (160 mm deep boards) connector H 15 M (fitted) keying/coding peg (fitted)

### ORDER INFORMATION

Voltage V	Current A	Power W	Width HP	Description	Part no.
5	1.5	8	6	PSK 105	<b>13105-001</b>
5	4	20	10	PSM 105	13105-006
5	6	30	14	PSG 105	<b>13105-011</b>
12	1.1	13	6	PSK 112	13105-002
12	2.8	31	10	PSM 112	<b>13105-007</b>
12	4.2	50	14	PSG 112	<b>13105-012</b>
15	1	15	6	PSK 115	<b>13105-003</b>
15	2.2	33	10	PSM 115	<b>13105-008</b>
15	3.5	53	14	PSG 115	<b>13105-013</b>
24	0.6	16	6	PSK 124	<b>13105-004</b>
24	1.5	36	10	PSM 124	<b>13105-009</b>
24	2.5	60	14	PSG 124	<b>13105-014</b>
Front panel for PSK 6 HP, 1 piece					<b>21005-475</b>
Front panel for PSM 10 HP, 1 piece					<b>21005-473</b>
Front panel for PSG 14 HP, 1 piece					<b>21005-474</b>
EMC gaskets (stainless steel) 3 U, 97 mm, stainless steel, two pieces necessary per front panel, PU 10 pieces					<b>21101-705</b>
Connector H 15 F Mating connector (female) for wiring inputs/ outputs (6.3 mm FASTON), 1 piece					<b>69001-733</b>
Coding PU (1 keying/coding strip, 2 pieces keying/coding pins)					<b>60800-123</b>
Mains voltage conversion kit 230 V to 115 V, 1 piece					<b>43105-999</b>

### Note

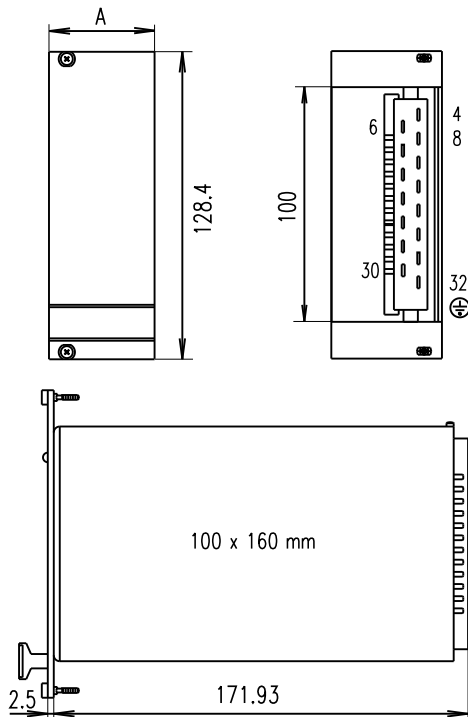
- **Please order front panel separately** (Al, front anodised, rear iridescent green chromated, with vertical grooves for EMC gaskets, incl. assembly kit)
- PSK without case
- Output data at T<sub>A</sub> = 0 ... 50 °C
- Further accessories see page 9.16

# Power supplies – 19" AC/DC linear regulators

## LINEAR REGULATORS, DUAL



11300001



### Connector pin-out

Pin	Connection
4	Sense line + V <sub>1</sub>
6	Output + V <sub>1</sub>
8	Output 0 V <sub>1</sub>
10	Sense line 0 V <sub>1</sub>
12	Sense line + V <sub>2</sub>
14	Output + V <sub>2</sub>
16	Output 0 V <sub>2</sub>
18	Sense line 0 V <sub>2</sub>
20	–
22	–
24	–
26	–
28	L
30	N
32	PE ⊕

D1JM0084

- Mains/line voltage 230 V<sub>AC</sub> (can be switched to 115 V<sub>AC</sub> with mains/line voltage conversion kit)
- 2 output voltages, galvanically separated
- High control accuracy, low residual ripple and very low interference
- Suited for medical applications (8 mm safety clearances)

**CE** EN 60950  
approved

### DELIVERY COMPRISES

Qty	Description
1	19" compatible power supply Height 3 U Width A: 6, 10, 14 HP Depth 171.93 mm (160 mm board depth) Connector H 15M Coding strip (fitted)

### ORDER INFORMATION

Voltage V	Current A	Power W	Width HP	Description	Part no.
V1: 5 V2: 5	I <sub>1</sub> : 1.4 I <sub>2</sub> : 1.4	14	10	PSM 205	<b>13105-021</b>
V1: 12 V2: 12	I <sub>1</sub> : 0.4 I <sub>2</sub> : 0.4	10	6	PSK 212	13105-017
V1: 12 V2: 12	I <sub>1</sub> : 1 I <sub>2</sub> : 1	24	10	PSM 212	13105-022
V1: 12 V2: 12	I <sub>1</sub> : 1.5 I <sub>2</sub> : 1.5	36	14	PSG 212	<b>13105-027</b>
V1: 15 V2: 15	I <sub>1</sub> : 0.4 I <sub>2</sub> : 0.4	12	6	PSK 215	<b>13105-018</b>
V1: 15 V2: 15	I <sub>1</sub> : 1 I <sub>2</sub> : 1	30	10	PSM 215	13105-023
V1: 15 V2: 15	I <sub>1</sub> : 1.5 I <sub>2</sub> : 1.5	45	14	PSG 215	<b>13105-028</b>
V1: 24 V2: 24	I <sub>1</sub> : 1.2 I <sub>2</sub> : 1.2	58	14	PSG 224	<b>13105-029</b>
Front panel for PSK 6 HP, 1 piece					<b>21005-476</b>
Front panel for PSM 10 HP, 1 piece					<b>21005-477</b>
Front panel for PSG 14 HP, 1 piece					<b>21005-478</b>
EMC gaskets (stainless steel) 3 U, 97 mm, stainless steel, two pieces necessary per front panel, PU 10 pieces					<b>21101-705</b>
Connector H 15 F Mating connector (female) for wiring inputs/ outputs (6.3 mm FASTON), 1 piece					<b>69001-733</b>
Coding PU (1 keying/coding strip, 2 pieces keying/coding pins)					<b>60800-123</b>
Mains voltage conversion kit 230 V to 115 V, 1 piece					<b>43105-999</b>

### Note

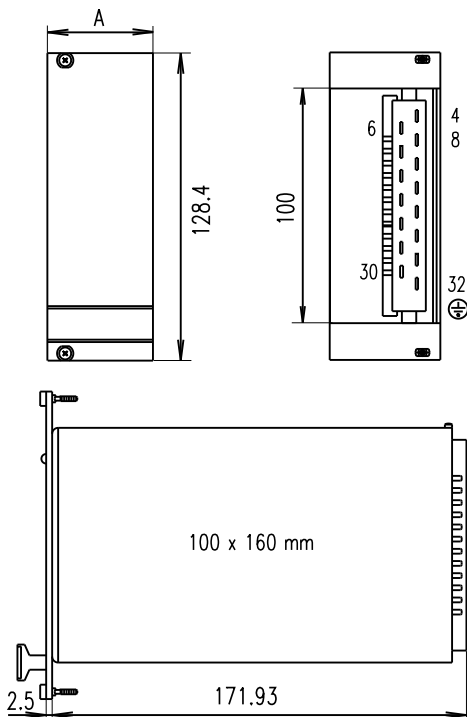
- **Please order front panel separately** (Al, front anodised, rear iridescent green chromated, with vertical grooves for EMC gaskets, incl. assembly kit)
- PSK without case
- Output data at T<sub>A</sub> = 0 ... 50 °C
- Further accessories see page 9.16

# Power supplies – 19" AC/DC linear regulators

## LINEAR REGULATORS, TRIPLE



11300002



### Connector pin-out

Pin	Connection
4	Sense line + V <sub>1</sub> (PSM, PSG)
6	Output + V <sub>1</sub>
8	Output 0 V <sub>1</sub>
10	Sense line 0 V <sub>1</sub> (PSM, PSG)
12	Output + V <sub>2</sub>
14	Output 0 V <sub>2</sub>
16	Output + V <sub>3</sub>
18	Output 0 V <sub>3</sub>
20	Data save
22	Power failure
24	0 V for pin 20, 22
26	-
28	L
30	N
32	PE ⊕

D1JM0084

- Mains/line voltage 230 V<sub>AC</sub> (can be switched to 115 V<sub>AC</sub> with mains/line voltage conversion kit)
- 3 output voltages, galvanically separated
- High control accuracy, low residual ripple and very low interference
- Suited for medical applications (8 mm safety clearances)

**CE** EN 60950  
approved

### DELIVERY COMPRISES

Qty	Description
1	19" compatible power supply height 3 U width A: 6, 10, 14 HP depth 171.93 mm (160 mm board depth) connector H 15 M coding strip (fitted)

### ORDER INFORMATION

Voltage V	Current A	Power W	Width HP	Description	Part no.
V <sub>1</sub> : 5	I <sub>1</sub> : 0.5	8	6	PSK 312	13105-051
V <sub>2</sub> : 12	I <sub>2</sub> : 0.2				
V <sub>3</sub> : 12	I <sub>3</sub> : 0.2				
V <sub>1</sub> : 5	I <sub>1</sub> : 1.5	20	10	PSM 312	13105-052
V <sub>2</sub> : 12	I <sub>2</sub> : 0.5				
V <sub>3</sub> : 12	I <sub>3</sub> : 0.5				
V <sub>1</sub> : 5	I <sub>1</sub> : 3	39	14	PSG 312	<b>13105-053</b>
V <sub>2</sub> : 12	I <sub>2</sub> : 1				
V <sub>3</sub> : 12	I <sub>3</sub> : 1				
Front panel for PSK 6 HP, 1 piece					<b>21005-470</b>
Front panel for PSM 10 HP, 1 piece					<b>21005-451</b>
Front panel for PSG 14 HP, 1 piece					<b>21005-439</b>
EMC gaskets (stainless steel) 3 U, 97 mm, stainless steel, two pieces necessary per front panel, PU 10 pieces					<b>21101-705</b>
Connector H 15 F Mating connector (female) for wiring inputs/outputs (6.3 mm FASTON), 1 piece					<b>69001-733</b>
Coding PU (1 keying/coding strip, 2 pieces keying/coding pins)					<b>60800-123</b>
Mains voltage conversion kit 230 V to 115 V, 1 piece					<b>43105-999</b>

### Note

- **Please order front panel separately** (Al, front anodised, rear iridescent green chromated, with vertical grooves for EMC gaskets, incl. assembly kit)
- PSK without case
- Output data at T<sub>A</sub> = 0 ... 50 °C
- Further accessories see page 9.16

# Power supplies – 19" DC/DC converters

## coolpower 100 W, single



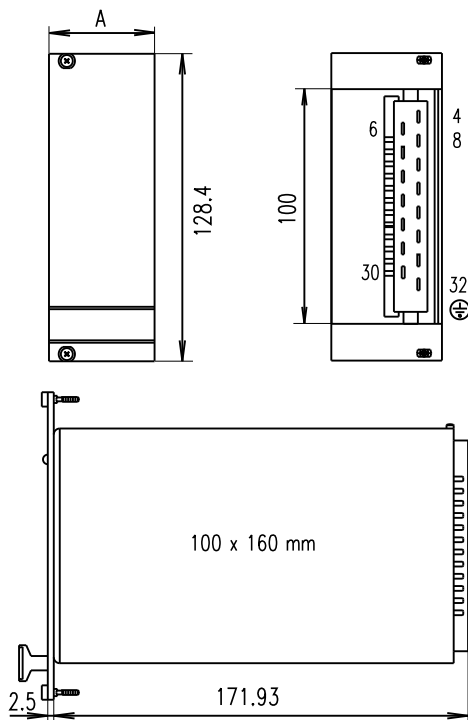
- Wide input voltage range from 20 to 72 V<sub>DC</sub>
- High power density
- Single output voltage, redundancy diode fitted
- External ON/OFF
- Galvanic separation between primary and secondary circuits
- Passive current-share operation



### DELIVERY COMPRISES

Qty	Description
1	19" compatible power supply height 3 U width A: 6 HP depth 171.93 mm (160 mm board depth) connector H 15 M coding strip (fitted)

11301001



### ORDER INFORMATION

Voltage V	Current A	Power W	Description	Part no.
5 <sup>1)</sup>	20	100	CPDC 105	<b>13103-002</b>
12 <sup>1)</sup>	8.5	102	CPDC 112	13103-003
15 <sup>1)</sup>	6.7	100	CPDC 115	13103-004
24 <sup>2)</sup>	4.5	108	CPDC 212	13103-007

**1) Front panel** 6 HP, Al, front anodised, rear iridescent green chromated, with vertical grooves for EMC gaskets, incl. assembly kit, 1 piece **21006-955**

**2) Front panel** 6 HP, Al, front anodised, rear iridescent green chromated, with vertical grooves for EMC gaskets, incl. assembly kit, 1 piece **21006-956**

EMC gaskets (stainless steel) 3 U, 97 mm, stainless steel, two pieces necessary per front panel, PU 10 pieces **21101-705**

Connector H 15 F Mating connector (female) for wiring inputs/outputs (6.3 mm FASTON), 1 piece **69001-733**

Coding PU (1 keying/coding strip, 2 pieces keying/coding pins) **60800-123**

### Note

- **Please order front panel separately**
- Power supply with CPDC 212, dual output voltages 24, 30 V (2 x 12 V, 2 x 15 V)
- Front panel for 13103-007: 21006-956
- For higher input voltages (100 ... 360 V<sub>DC</sub>) see maxpower single, page 9.4
- Further accessories see page 9.16

DLM0084

### Connector pin-out

Pin	5, 12, 15 V Connection
4	Output + V <sub>1</sub>
6	Output + V <sub>1</sub>
8	Sense line + V <sub>0</sub>
10	Sense line 0V V <sub>1</sub>
12	Output 0V V <sub>1</sub>
14	Output 0V V <sub>1</sub>
16	
18	
20	
22	Internally engaged
24	Output OK
26	Ext. ON/OFF*
28	+V <sub>E</sub>
30	0V V <sub>E</sub>
32	PE ⊕

Pin	24 V Connection
4	
6	Output + 24 ... 30 V via diode
8	
10	Output 0 V
12	Output 0 V
14	Output 0 V
16	Internally engaged
18	Internally engaged
20	Internally engaged
22	Internally engaged
24	
26	
28	+V <sub>E</sub>
30	0V V <sub>E</sub>
32	PE ⊕

# Power supplies – 19" DC/DC converters

## COOLPOWER 100 W, DUAL



- Wide input voltage range from 20 to 72 V<sub>DC</sub>
- High power density
- 2 output voltages (or single output voltage 24 – 30 V via internal redundancy diode V<sub>1</sub>D)
- Galvanic separation between primary and secondary circuit



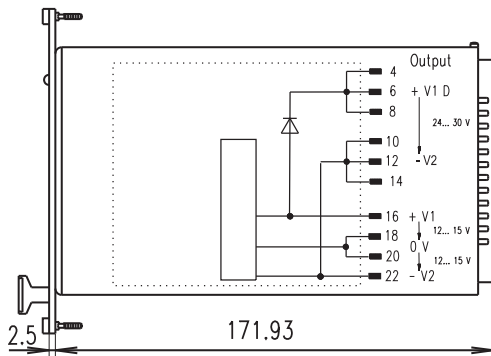
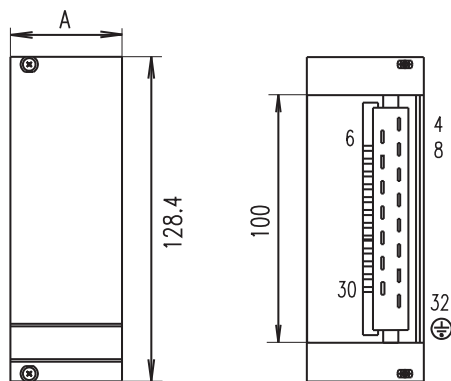
### DELIVERY COMPRISES

Qty	Description
1	19" compatible power supply height 3 U width A: 6 HP depth 171.93 mm (160 mm board depth) connector H 15 M coding strip (fitted)

11302003

### ORDER INFORMATION

Voltage min. ... max. V	Current A	Power W	Description	Part no.
V <sub>1</sub> : 12 ... 15 V <sub>2</sub> : -12 ... -15	I <sub>1</sub> : 4.5 I <sub>2</sub> : 4.5	108	CPDC 212	13103-007
Front panel 6 HP, Al, front anodised, rear iridescent green chromated, with vertical grooves for EMC gaskets, incl. assembly kit, 1 piece				<b>21006-956</b>
EMC gaskets (stainless steel) 3 U, 97 mm, stainless steel, two pieces necessary per front panel, PU 10 pieces				<b>21101-705</b>
Connector H 15 F Mating connector (female) for wiring inputs/outputs (6.3 mm FASTON), 1 piece				<b>69001-733</b>
Coding PU (1 keying/coding strip, 2 pieces keying/coding pins)				<b>60800-123</b>



### Note

- **Please order front panel separately**
- 1 output voltage via output pins V<sub>1</sub>D 24 V ... 30 V, I<sub>1</sub>D 4.5 A, 108 W
- Output data at T<sub>A</sub> = 50 °C
- Adjustment range 12 V ... 15 V
- For higher input voltages (100 ... 360 V<sub>DC</sub>), see maxpower single, page 9.7
- Further accessories see page 9.16

11302053

### Connector pin-out

Pin	Connection
4	Output + V <sub>1</sub> D
6	Output + V <sub>1</sub> D
8	Output + V <sub>1</sub> D
10	Output - V <sub>2</sub>
12	Output - V <sub>2</sub>
14	Output - V <sub>2</sub>
16	Output + V <sub>1</sub>
18	Output V <sub>1</sub> /V <sub>2</sub> 0 V
20	Output V <sub>1</sub> /V <sub>2</sub> 0 V
22	Output - V <sub>2</sub>
24	-
26	-
28	Input +V <sub>i</sub>
30	Input 0 V
32	PE ⊕



# Power supplies – 19" DC/DC converters

## COOLPOWER 100 W, TRIPLE



- Wide input voltage range from 20 to 72 V<sub>DC</sub>
- High power density
- 3 output voltages, galvanically separated
- Galvanic separation between primary and secondary circuit
- External ON/OFF



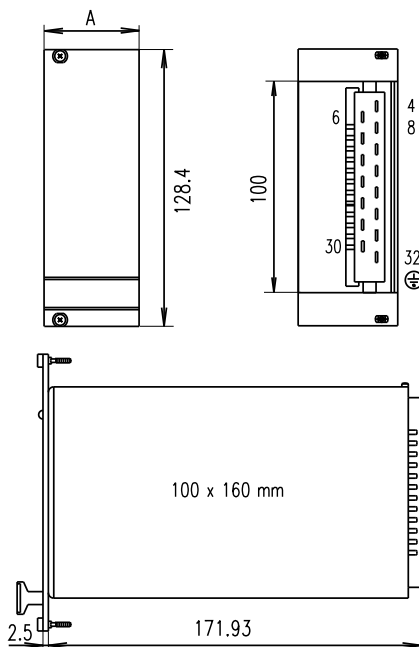
### DELIVERY COMPRISES

Qty	Description
1	19" compatible power supply height 3 U width A: 6 HP depth 171.93 mm (160 mm deep boards) connector H15M (fitted) keying/coding peg (fitted)

11302004

### ORDER INFORMATION

Voltage min. ... max. V	Current A	Power W	Description	Part no.
V <sub>1</sub> : 5 V <sub>2</sub> : 12 ... 15V <sub>3</sub> : 12 ... 15	I <sub>1</sub> : 10 I <sub>2</sub> : 2 I <sub>3</sub> : 2	98	CPDC 312	<b>13103-016</b>
Front panel 6 HP, Al, front anodised, rear colourless chromated, with vertical grooves for EMC gaskets, incl. assembly kit, 1 piece				<b>21006-957</b>
EMC gaskets (stainless steel) 3 U, 97 mm, stainless steel, two pieces necessary per front panel, PU 10 pieces				<b>21101-705</b>
Connector H 15 F Mating connector (female) for wiring inputs/ outputs (6.3 mm FASTON), 1 piece				<b>69001-733</b>
Coding PU (1 keying/coding strip, 2 pieces keying/coding pins)				<b>60800-123</b>



01JM0084

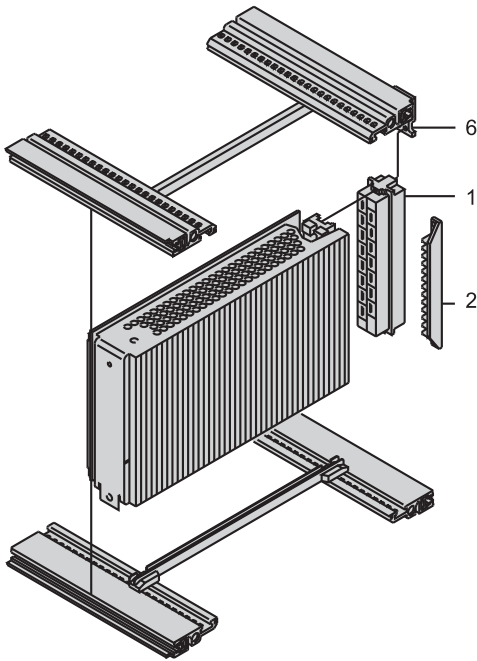
### Connector pin-out

Pin	Connection
4	Output + V
6	Output + V <sub>1</sub>
8	Sense line + V <sub>2</sub>
10	Sense line V <sub>1</sub> 0 V
12	Output V <sub>1</sub> 0 V
14	Output V <sub>1</sub> 0 V
16	Output + V <sub>2</sub>
18	Output V <sub>2</sub> 0 V
20	Output + V <sub>3</sub>
22	Output V <sub>3</sub> 0 V
24	–
26	External ON/OFF
28	Input +V <sub>i</sub>
30	Input 0 V
32	PE ⊕

### Note

- **Please order front panel separately**
- Output data at T<sub>A</sub> = 50 °C
- Adjustment range V<sub>2</sub>, V<sub>3</sub> 12 ... 15 V
- Input voltage 100 ... 360 V<sub>DC</sub>, see maxpower triple, page 9.8
- Further accessories see page 9.16

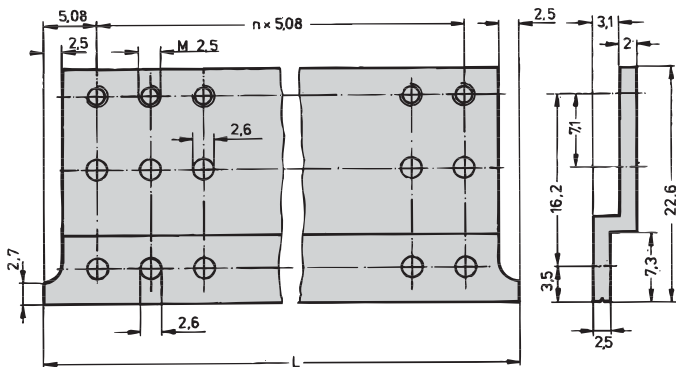
## ACCESSORIES



PSA45379

- For slimpower, maxpower, coolpower and linear regulators
- Z-rail (item 6)
- Mating connector female H 15 F (item 1)
- Coding (item 2)
- Wall/horizontal rail mounting

## Z-RAIL, 4 HP



A3-420

- For bolting a H15 F connector to the rear horizontal rail/case (item 6)
- Provides the standard plug-in depth of the PSUs

### ORDER INFORMATION

Description	Qty/PU	Part no.
Z-rail, 4 HP (20.32 mm)	1	<b>30822-166</b>

### Note

- Two Z-rails are required per connector

## CONNECTOR H 15 F



05592018

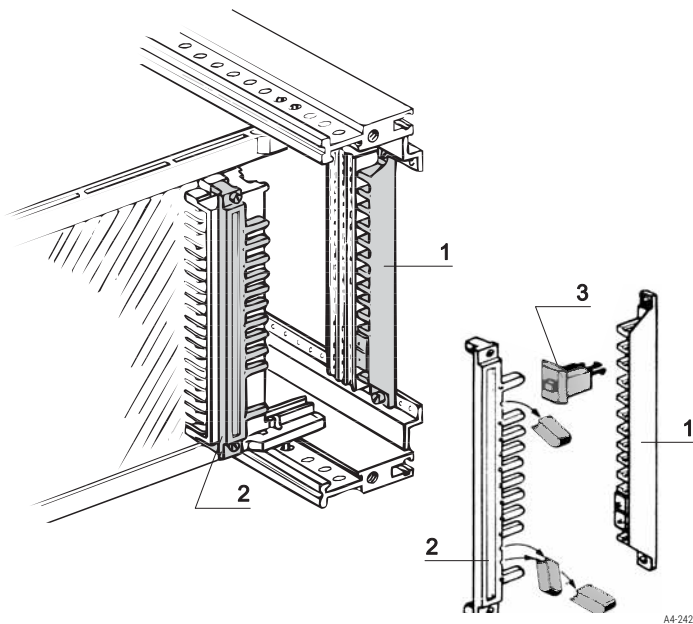
- Connector EN 60603 (DIN 41612) H15 F for 6.3 mm FASTON
- In 19" power supply units the H 15 male connector is fitted, PIN 32 with capacitive earthing contact
- Compatible with connector H15 M of e.g. 19" plug-in equipment

### ORDER INFORMATION

Item	Description	Qty/PU	Part no.
1	Type H	1	<b>69001-733</b>

# Power supplies – Accessories

## KEYING/CODING



- Mechanical coding prevents a PSU being fitted on the wrong slot, space requirement 4 HP
- Coding:
  - Female strip (item 2), fitted on PSU (except slimpower)
  - Coding strip (item 1) mounts on the Z/horizontal rail
  - Placement of coding pins (item 3) in the coding strip (item 1)
  - Removal of studs at the appropriate place in the female strip
- With 2 coding pins there are 66 coding possibilities

### ORDER INFORMATION

Description	Part no.
Keying/coding strip, Crastin (UL 94 V-0) 1 piece, keying/coding pins, Crastin (UL 94 V-0), 2 pieces	<b>60800-123</b>

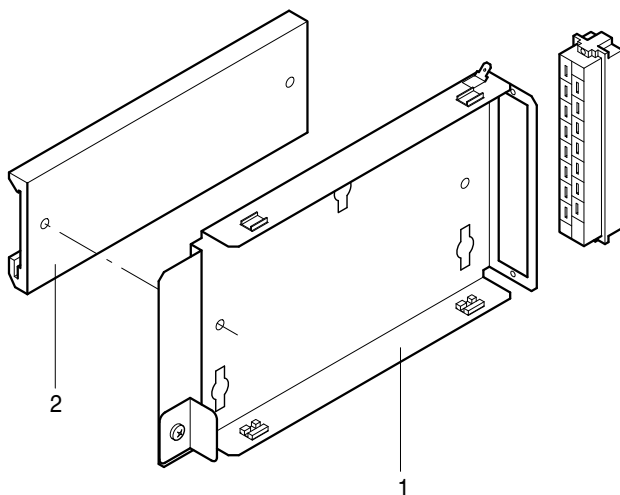
## WALL/HORIZONTAL RAIL MOUNTING



- Suitable for 19"-compatible 3 U PSUs
- 2 mounting options
  - Wall mounting bracket can be fitted in any position with screws and PSU is inserted
  - Horizontal rail adaptor is bolted to wall mounting bracket, then the 19" PSU can be clipped to a horizontal rail

### ORDER INFORMATION

Item	Description	Qty/PU	Part no.
1	Wall mounting bracket, St	1	<b>11000-001</b>
2	Horizontal rail adaptor bracket, Al	1	<b>11000-002</b>
Connector H 15 F FASTON connection, 1 piece			<b>69001-733</b>



# Power supplies–MicroTCA

## AC/DC, DOUBLE FULL-SIZE, WITH POWER MANAGEMENT (EMMC)



11316001

- Mains input at front with wide input voltage range for AC voltages with IEC locking system
- Construction compatible with AdvancedMC double full-size
- Supports N+1 and 2+2 redundancy, load sharing and hot swap
- Power management for 16 current channel (12 AMC, 2 CU and 2 MCHs)
- High efficiency
- Visual performance display

The MTCA PSU 600 is an exceptionally efficient power module (PM) for MicroTCA<sup>®</sup> applications. This 600W power supply is the most efficient available in double-width full-size format. This PM's integrated management controller makes it ideally suited for use in complex communications systems running the latest generations of processors and an increased number of AMC modules. The MTCA PSU 600 provides the power required for 12 AMCs, 2 Cooling Units (CUs) and 2 MicroTCA<sup>®</sup> Carrier Hubs (MCHs).

### DELIVERY INCLUDES

Qty.	Description
1	PSU for MicroTCA Double height (148.3 mm) Full-size width (6 HP) Depth 186.65 mm Connector MicroTCA Power Front panel with handle and EMC gasket (fitted)

### ORDER INFORMATION

Voltage V	Current A	Power W	Description	Part no.
V1: 12 V2: 3.3	I <sub>1</sub> : 6.8 I <sub>2</sub> : 0.18	600	MTCA PSU 600	<b>11098-547</b>

# Power supplies – for MicroTCA

## AC/DC, DOUBLE FULL-SIZE, WITHOUT MANAGEMENT



- Wide input voltage range 90 ... 264 V<sub>AC</sub>
- Active power factor correction
- Construction compatible with AdvancedMC double full-size
- Single-wire current share cable for redundancy operation
- 2 output voltages, 12 V and 3.3 V
- Corresponds to EMC class B as per EN 55022
- Without MicroTCA power management controller
- Mains input at front

### DELIVERY COMPRISES

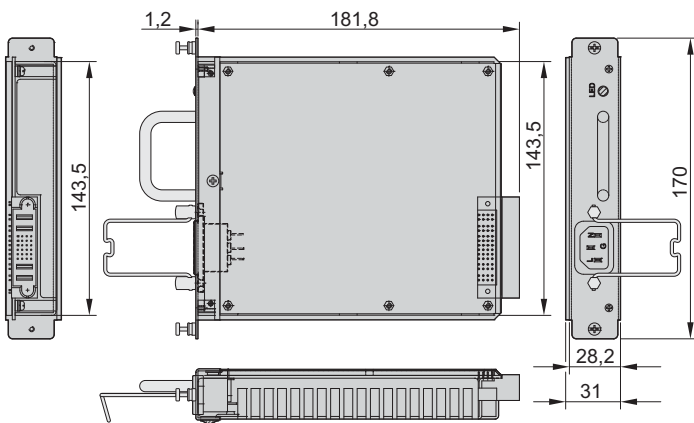
Qty	Description
1	PSU for MicroTCA height double (148.3 mm) width full-size (6 HP) depth 186.65 mm connector Molex SSI front panel with handle and EMC gasket (fitted)

### ORDER INFORMATION

Voltage V	Current A	Power W	Description	Part no.
V1: 12 V2: 3.3	I <sub>1</sub> : 25 I <sub>2</sub> : 3	300	MCA 300 AC	<b>11098-392</b>
V1: 12 V2: 3.3	I <sub>1</sub> : 45.8 I <sub>2</sub> : 3	550	MCA 550 AC	<b>11098-416</b>

### Note

- Output data for T<sub>A</sub> = -25 ... 55 °C with forced cooling of 20 cfm
- Connector FCI 51720-10202402AA or Molex 87631-2019



11309004

11312050

# Power supplies – for VMEbus

## AC/DC, 19", 6 U, TRIPLE



- Wide input voltage range 90 ... 264 V<sub>AC</sub> and 130 ... 350 V<sub>DC</sub> with active power factor correction (PFC)
- 3 output voltages
- VMEbus signalling



### DELIVERY COMPRISES

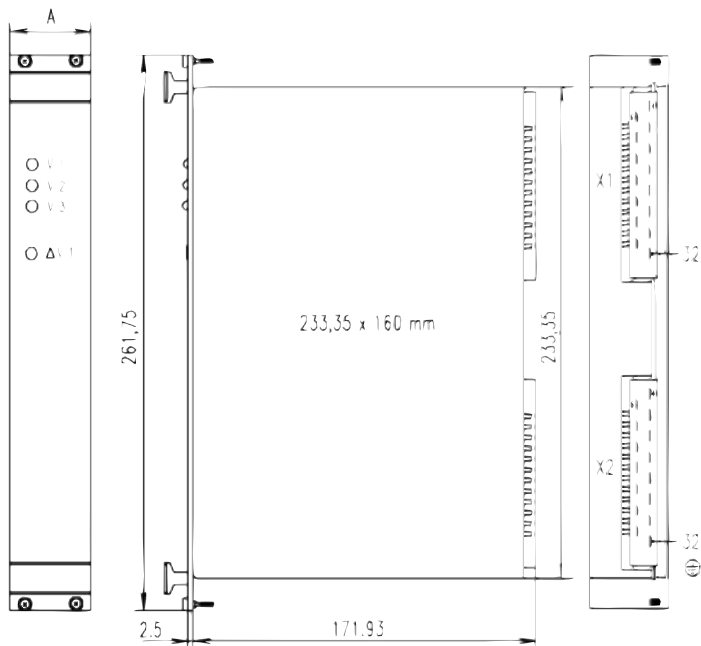
Qty	Description
1	19" compatible power supply height 6 U width A: 8, 12 HP depth 171.93 mm (160 mm board depth) front panel with handles (fitted) connector H 15 M (2 pieces) coding strip (2 pieces, fitted)

### ORDER INFORMATION

Voltage V	Current A	Power W	Width HP	Description	Part no.
V1: 5 V2: 12 V3: -12	I <sub>1</sub> : 20 I <sub>2</sub> : 4 I <sub>3</sub> : 3	150 (60)	8	MPS 015	13100-205
V1: 5 V2: 12 V3: -12	I <sub>1</sub> : 28 I <sub>2</sub> : 7 I <sub>3</sub> : 3	224 (84)	12	MPS 022	13100-203
V1: 5 V2: 15 V3: -15	I <sub>1</sub> : 28 I <sub>2</sub> : 5.6 I <sub>3</sub> : 2.4	224 (84)	12	MPS 022/15	13100-204
EMC gaskets (stainless steel) 6 U, 232 mm, stainless steel, 2 pieces necessary per front panel, PU 10 pieces					<b>21101-707</b>
Connector H 15 F Mating connector (female) for wiring inputs/ outputs (6.3 mm FASTON), 1 piece					<b>69001-733</b>
Coding PU (1 keying/coding strip, 2 pieces keying/coding pins)					<b>60800-123</b>

### Note

- Output data at T<sub>A</sub> = 0 ... 40 °C
- Values in brackets: Output power V<sub>2</sub> + V<sub>3</sub>
- Further accessories see page 9.16



### Connector pin-out

Pin	Connection x1 (at top)	Connection x2 (at bottom)
4	Output + V <sub>1</sub>	ACFAIL
6	Output + V <sub>1</sub>	SYSRESET
8	Output + V <sub>1</sub>	–
10	Output + V <sub>1</sub>	Current Share Bus
12	Output + V <sub>1</sub>	Shutdown 4 ... 28 V
14	Sense line + V <sub>1</sub>	GND Shutdown
16	Output - V <sub>3</sub>	–
18	Output 0 V <sub>1,2,3</sub>	–
20	Output 0 V <sub>1,2,3</sub>	–
22	Output 0 V <sub>1,2,3</sub>	–
24	Output 0 V <sub>1,2,3</sub>	–
26	Output 0 V <sub>1,2,3</sub>	–
28	Output + V <sub>2</sub>	L
30	Output + V <sub>2</sub>	N
32	Sense line 0 V <sub>1</sub>	PE y

# Power supplies – for VMEbus

## AC/DC, OPEN FRAME, TRIPLE



- For VME applications
- Wide input voltage range 85 ... 264 VAC
- 3 output voltages
- High performance
- Output power 444 ... 800 W



### DELIVERY COMPRISES

Qty	Description
1	Open frame PSU

### ORDER INFORMATION

Voltage V	Current A	Power W	Description	d mm	Part no.
V1: 5 V2: 12 <sup>1)</sup> V3: 12	I <sub>1</sub> : 60 I <sub>2</sub> : 10 I <sub>3</sub> : 4	444 <sup>2)</sup>	MP4 2E-4LL-00	254.0	11098-267
V1: 5 V2: 12 V3: 12	I <sub>1</sub> : 60 I <sub>2</sub> : 17 I <sub>3</sub> : 17	708 <sup>3)</sup>	MP6 2E-1L-1L-00	279.4	11098-266
V1: 5 V2: 12 <sup>1)</sup> V3: 12	I <sub>1</sub> : 120 I <sub>2</sub> : 10 I <sub>3</sub> : 4	744 <sup>3)</sup>	MP6 3E-4LL-00	279.4	11098-140
V1: 5 V2: 12 <sup>1)</sup> V3: 12	I <sub>1</sub> : 120 I <sub>2</sub> : 17 I <sub>3</sub> : 17	800 <sup>3)</sup>	MP6 3E-1L-1L-00	279.4	11098-231

### Accessories

Set of connectors with all input/output connectors, PU 1 kit	<b>21009-038</b>
--	------------------

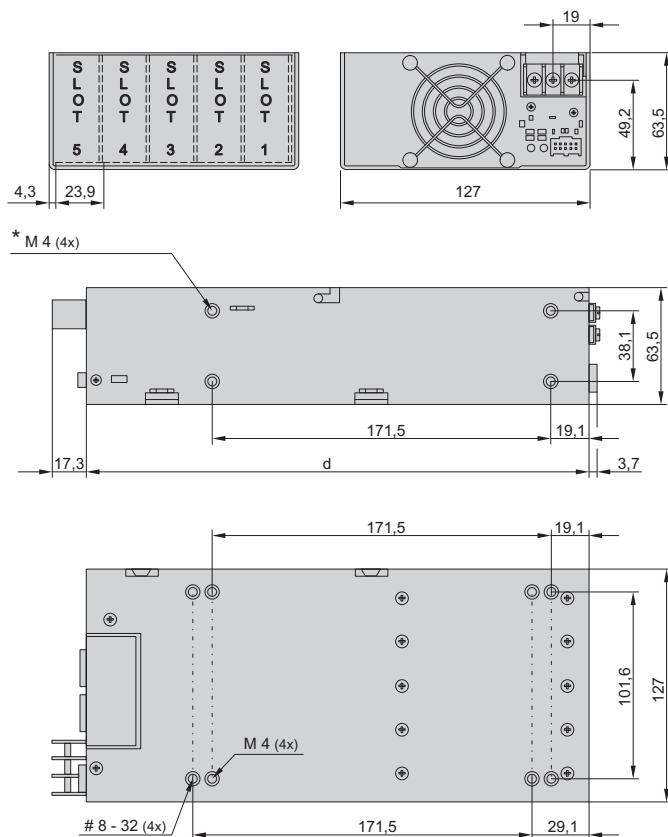
- 1) 10 % base load necessary, sum of 12 V outputs max. 144 W
- 2) Output max. 400 W at 85 V<sub>AC</sub> ... 180 V<sub>AC</sub>
- 3) Output max. 600 W at 85 V<sub>AC</sub> ... 180 V<sub>AC</sub>

### Note

- Output data at -20 °C ... +50 °C
- Input: AC 85 ... 264 V (47 ... 440 Hz), DC 120 ... 350 V
- Output voltages adjustable, w10 %
- Signalling: Input ok, DC output ok
- Other output voltages available on request

Photo shows MP6 PSUs

11405002



11412050

\* Assembly holes identical on both sides

# Power supplies – for CompactPCI Serial

## 19" SWITCHED-MODE POWER SUPPLY FOR COMPACTPCI SERIAL



11315001

- 19" pluggable PSU for CompactPCI Serial applications
- Very wide input voltage range for both AC and DC
- Active power factor correction and active current-share function
- N+1 redundancy, hot swap
- Output signaling: PS present, power failure, PO ON and enable
- I2C interface
- Temperature monitoring
- Sense line
- UL, cUL and DEMKO certificates, CE-compliant



### DELIVERY INCLUDES

Qty	Description
1	19"-compatible PSU Height 3 U Width 8 HP 160 mm board depth PwrBlade connector (fitted) Front panel with handle and EMC contact strip (fitted)

### ORDER INFORMATION

Voltage V	Current A	Power W	Input voltage	Part no.
V1: 12 V2: 5	I <sub>1</sub> : 25 I <sub>2</sub> : 2.5	300	AC: 90 ... 264 V	<b>11098-538</b>

### Accessories

CompactPCI Serial power backplane, 3 U, 8 HP, 1 slot	1 piece	23098-397
--	---------	-----------



# Power supplies – for CompactPCI and VME64x

## AC/DC, 19", 3 U, QUAD



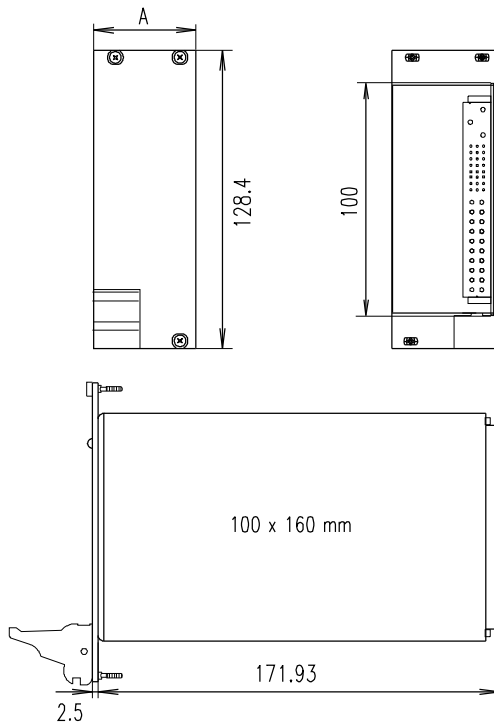
- Wide input voltage range 90 ... 264 V<sub>AC</sub> with power factor correction (PFC)
- 4 output voltages
- Connector P 47
- Redundant operation with Current Share Bus (CSB), hot-swap
- CompactPCI signalling


**CompactPCI®**

### DELIVERY COMPRISES

Qty	Description
1	19" compatible power supply height 3 U width A 8 HP depth 171.93 mm (160 mm board depth) connector P 47 front panel with handles and EMC gasket fitted

11302005



11302052

### ORDER INFORMATION

Voltage V	Current A	Power W	Description	Part no.
V <sub>1</sub> : 5 V <sub>2</sub> : 3.3 V <sub>3</sub> : 12 V <sub>4</sub> : -12	I <sub>1</sub> : 40 I <sub>2</sub> : 40 I <sub>3</sub> : 5.5 I <sub>4</sub> : 2	250	CPCI 250 AC	<b>13100-141</b>
Power backplane with P47 connector 3 U, width 39.6 mm, 1 x connector position P47, 1 piece				<b>23098-105</b>
Power backplane with P47 connector 3 U, width 80.3 mm, 2 x connector positions P47 (side-by-side), 1 piece				<b>23098-115</b>
Power backplane with P47 connector 6 U, width 39.6 mm, 1 x connector position P47, top, 1 piece				<b>23098-116</b>
Power backplane with P47 connector 6 U, width 39.6 mm, 2 x connector position P47, one above the other, 1 piece				<b>23098-117</b>
Guide rail with keying/coding, groove width 2.0 mm, with 0.1" offset Standard pack quantity 50 pieces				<b>64560-071</b>

### Note

- Output data at T<sub>A</sub> = 0 ... 50 °C with forced air cooling of 2 m/s
- 47-pin CompactPCI connector to PICMG 2.11 specification

# Power supplies – for CompactPCI and VME64x

AC/DC, 19", 6 U, QUAD



- Wide input voltage range 90 ... 264 V<sub>AC</sub> with power factor correction (PFC)
- 4 output voltages
- Connector P 47
- Redundant operation with Current Share Bus (CSB), hot-swap
- CompactPCI signalling



## DELIVERY COMPRISES

Qty	Description
1	19" compatible power supply height 6 U width A: 8 HP depth 171.93 mm (160 mm board depth) connector P 47 front panel with handles and textile EMC gasket fitted

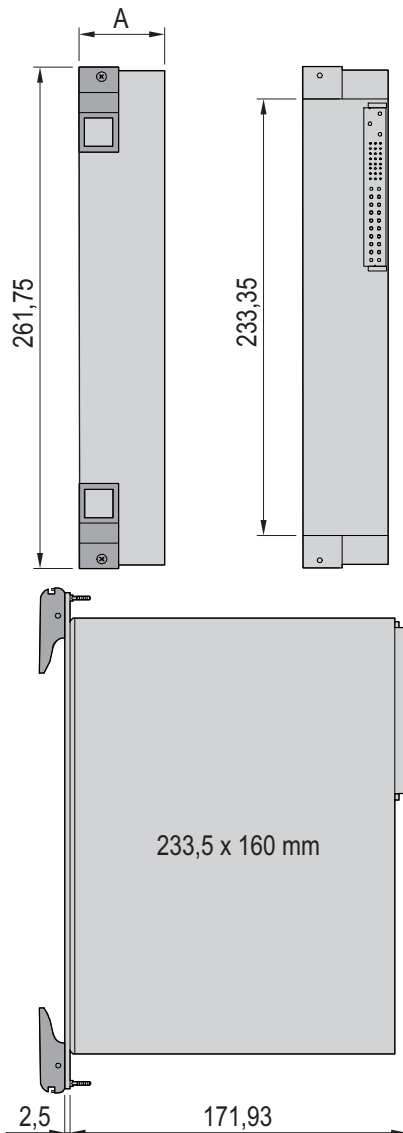
11308007

## ORDER INFORMATION

Voltage V	Current A	Power W	Description	Part no.
V <sub>1</sub> : 5	I <sub>1</sub> : 50	500	CPCI 500 AC	13100-145
V <sub>2</sub> : 3.3	I <sub>2</sub> : 60			
V <sub>3</sub> : 12	I <sub>3</sub> : 12			
V <sub>4</sub> : -12	I <sub>4</sub> : 4			
Power backplane with P47 connector 6 U, width 39.6 mm, 1 x connector position P47, top, 1 piece				<b>23098-116</b>
Guide rail with keying/coding, groove width 2.0 mm, with 0.1" offset, Standard pack quantity 50 pieces				<b>64560-071</b>

## Note

- Output data at T<sub>A</sub> = -25 ... 55 °C with forced air cooling of 1.5 m/s
- 47-pin CompactPCI connector to PICMG 2.11 specification



11302051

# Power supplies – for CompactPCI and VME64x

**AC/DC, OPEN FRAME, 300 W, QUAD**


- For CompactPCI and VME64x applications
- Wide input voltage range 85 ... 264 V<sub>AC</sub>
- 4 output voltages
- High performance, efficiency typically 85 %
- Output power 300 W
- Signalling: Output voltage OK


**DELIVERY COMPRISES**

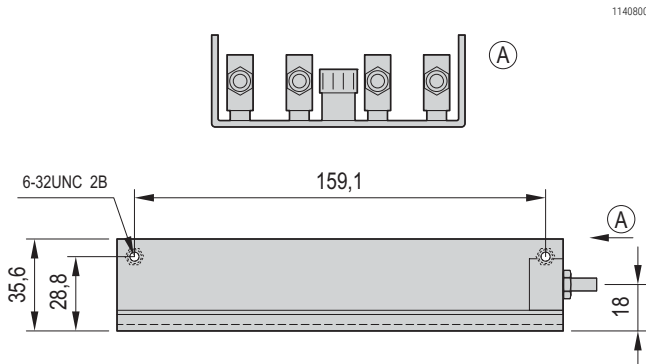
Qty	Description
1	Open frame power supply, dimensions 36 x 99 x 173 mm; weight 850 g

**ORDER INFORMATION**

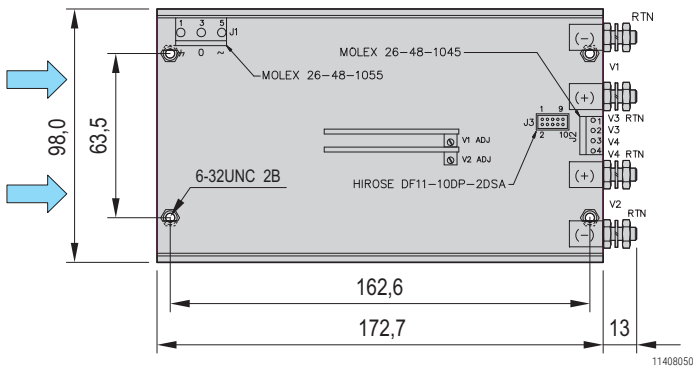
Voltage	Voltage min. ... max.	Current	Power	Description	Part no.
V	V	A	W		
V1: 5	4.75 ... 5.25	I <sub>1</sub> : 40	300	EF306-433	<b>11098-316</b>
V <sub>2</sub> : 3.3	3.14 ... 3.46	I <sub>2</sub> : 40			
V <sub>3</sub> : 12	-	I <sub>3</sub> : 4			
V <sub>4</sub> : 12	-	I <sub>4</sub> : 1.5			
Set of connectors with all input and output plugs, PU 1 kit					21009-039

**Note**

- Output data at -5 °C ... 50 °C
- Output voltages 5 V and 3.3 V adjustable, w 10 %
- Forced cooling at 2 m/s (230 lfm) required
- With remote-control function Ext. ON/OFF
- With auxiliary supply 5 V/ 5 mA



11408002



11408050

# Power supplies – for CompactPCI and VME64x

AC/DC, OPEN FRAME, 600 W, QUAD

- For CompactPCI and VME64x applications
- Wide input voltage range 85 ... 264 V<sub>AC</sub>
- 4 output voltages
- High performance



## DELIVERY COMPRISES

Qty	Description
1	Open frame PSU

## ORDER INFORMATION

Voltage V	Current A	Power W	Description	d mm	Part no.
V1: 5 V2: 3.3 V3: 12 V4: 12	I1: 60 I2: 35 I3: 10 I4: 4	560 <sup>2)</sup>	MP4 2E-1D-4LL-00	254.0	11098-212
V1: 5 V2: 3.3 V3: 12 V4: 12	I1: 60 I2: 60 I3: 10 I4: 4	642 <sup>3)</sup>	MP6 2D-2E-4LL-00	279.4	11098-207

## Accessories

Set of connectors with all input and output plugs, PU 1 kit	21009-039
---	-----------

- 1) 10 % base load necessary, sum of 12 V outputs max. 144 W
- 2) Output max. 400 W at 85 V<sub>AC</sub> ... 180 V<sub>AC</sub>
- 3) Output max. 600 W at 85 V<sub>AC</sub> ... 180 V<sub>AC</sub>

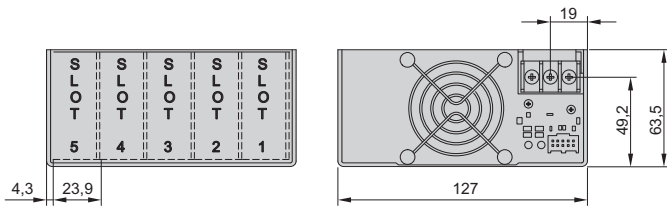
## Note

- Output data at -20 °C ... 50 °C
- Input: AC 85 ... 264 V (47 ... 440 Hz), DC 120 ... 350 V
- Output voltages adjustable, w10 %
- Signalling: Input ok, DC output ok
- Other output voltages available on request

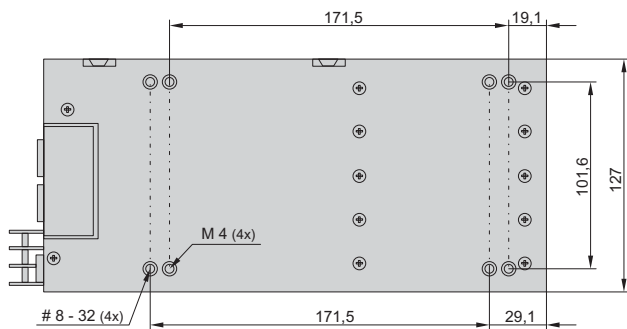
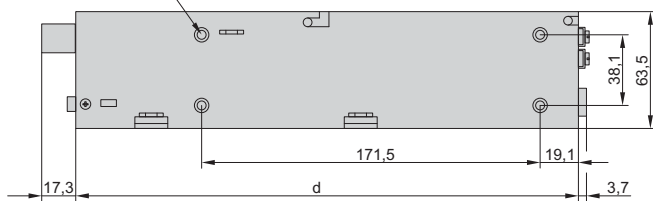


Photo shows 11098-212

11405001



\* M 4 (4x)



11412050

\* Assembly holes identical on both sides

# Power supplies – for CompactPCI and VME64x

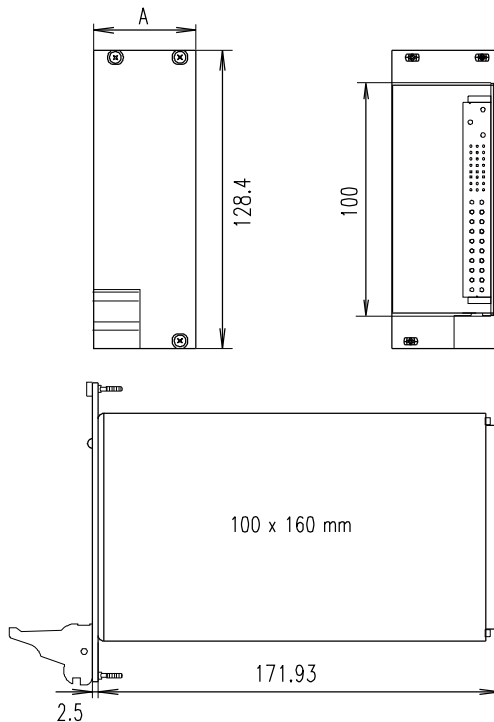
**DC/DC, 19", 3 U, QUAD**


- Input voltage 48 V<sub>DC</sub> (36 ... 75 V<sub>DC</sub>)
- 4 output voltages
- Connector P 47
- Redundant outputs with Current Share Bus (CSB), hot-swap
- CompactPCI signalling


**CompactPCI®**
**DELIVERY COMPRISES**

Qty	Description
1	19" compatible power supply height 3 U width A: 8 HP depth 171.93 mm (160 mm board depth) connector P 47 front panel with handle and EMC contact strips (fitted)

11302005



11302052

**ORDER INFORMATION**

Voltage V	Current A	Power W	Description	Part no.
V1: 5 V2: 3.3 V3: 12 V4: -12	I <sub>1</sub> : 40 I <sub>2</sub> : 40 I <sub>3</sub> : 5.5 I <sub>4</sub> : 2	250	CPCI 250 DC	13100-142
Power backplane with P47 connector 3 U, width 39.6 mm, 1 x connector position P47, 1 piece				<b>23098-105</b>
Power backplane with P47 connector 3 U, width 80.3 mm, 2 x connector positions P47 (side-by-side), 1 piece				<b>23098-115</b>
Power backplane with P47 connector 6 U, width 39.6 mm, 1 x connector position P47, top, 1 piece				<b>23098-116</b>
Power backplane with P47 connector 6 U, width 39.6 mm, 2 x connector position P47, one above the other, 1 piece				<b>23098-117</b>
Guide rail with keying/coding, groove width 2.0 mm, with 0.1" offset Standard pack quantity 50 pieces				<b>64560-071</b>

**Note**

- Output data at T<sub>A</sub> = 0 ... 50 °C, with forced air cooling of 2 m/s
- 47-pin CompactPCI connector to PICMG 2.11 specification

# Power supplies – for CompactPCI and VME64x

**DC/DC, 19", 6 U, QUAD**


- Input voltage range 48 V<sub>DC</sub> (36 ... 72 V<sub>DC</sub>)
- 4 output voltages
- Connector P 47
- Redundant outputs with Current Share Bus (CSB), hot-swap
- Compact PCI signalling


**DELIVERY COMPRISES**

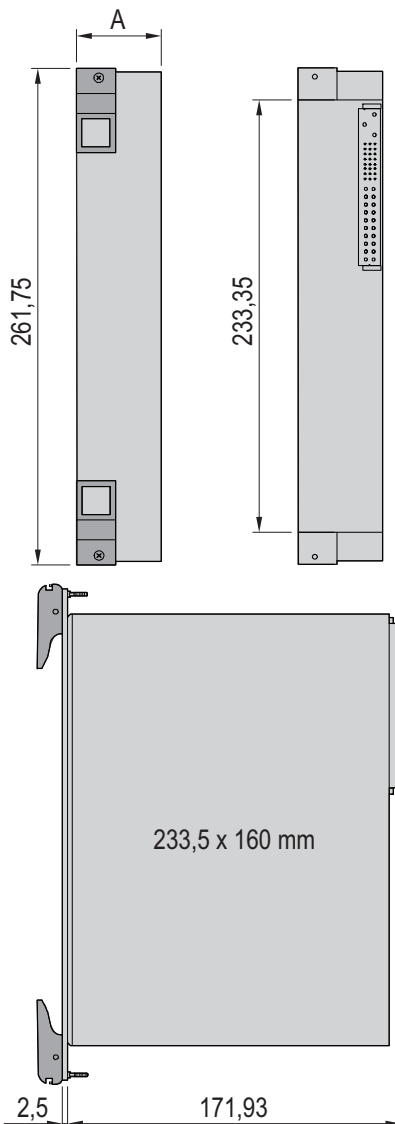
Qty	Description
1	19" compatible power supply height 3 U width A: 8 HP depth 171.93 mm (160 mm deep boards) connector P 47 (fitted) front panel with handles and EMC contact strip (fitted)

**ORDER INFORMATION**

Voltage V	Current A	Power W	Description	Part no.
V <sub>1</sub> : 5	I <sub>1</sub> : 50	500	CPCI DC-6U-500	13100-146
V <sub>2</sub> : 3.3	I <sub>2</sub> : 60			
V <sub>3</sub> : 12	I <sub>3</sub> : 12			
V <sub>4</sub> : -12	I <sub>4</sub> : 4			
Power backplane with P47 connector 6 U, width 39.6 mm, 1 × connector position P47, top, 1 piece				<b>23098-116</b>
Guide rail with keying/coding, groove width 2.0 mm, with 0.1" offset Standard pack quantity 50 pieces				<b>64560-071</b>

**Note**

- Output data at T<sub>A</sub> = -10 ... 55 °C with forced air cooling of 2 m/s
- 47-pin CompactPCI connector to PICMG 2.11 specification



11303002

11302051

# Power supplies – ServicePLUS

## APPLICATION EXAMPLES AND SPECIAL DEVICES CREATED TO CUSTOMER SPECIFICATIONS



Application: Redundant and uninterruptible 19" DC power supply units 11308002 11309004



Application: AC/DC switch-mode PSU for power supply to video monitoring systems 11309002



Application: AC/DC switch-mode power supply for telecommunications applications 11309003



Application: AC/DC linear regulator for communications systems (defence systems) 11309001



Application: DC/DC converter for railway applications 11309005



Application: DC/DC converter for supply power to fans (with monitoring) 11309005