



This range of vertical air-water heat exchanger, PWS, with a IP 55 protection degree, is ideal for dusty environments with high temperatures. Air cleanliness and the temperature around the enclosure will not affect the heat exchanger's performance. Several sizes of the heat exchanger are available, making the choice of the most optimum heat exchanger easy.

Description: For vertical installation. Additional work is not required to the cutout to guarantee the IP. Integrated thermostat and solenoid valve for temperature control, and temperature monitoring with alarm contact. The thermostat is adjustable between 8 °C and 50 °C, factory setting 35 °C. Maximum permissible operating pressure of 10 bar. The cooling capacity for specific conditions are indicated in the diagrams. Water inlet temperature between 1 °C up to 35 °C.

Type of connection: Spring-type terminal included with plug for electrical connection, 13 mm hose nozzle for water pipe connections.

Material: Housing made of galvanized steel powder coated. Heat exchanger manufactured from copper pipe, with aluminium fins.

Ambient temperature range: +1 °C to +70 °C.

Protection: IP 55 towards the electrical enclosure.

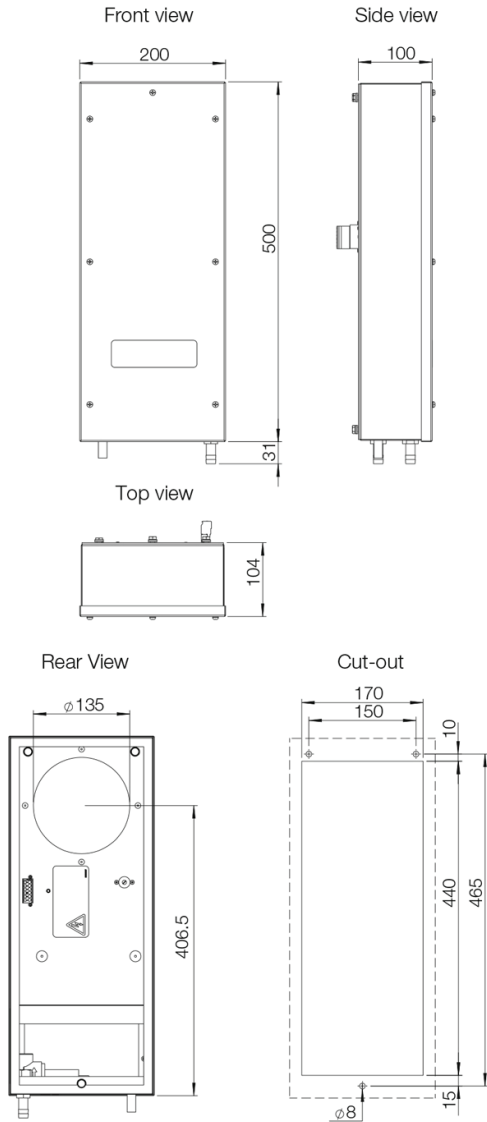
Finish: RAL 7035.

Pack quantity: One unit.

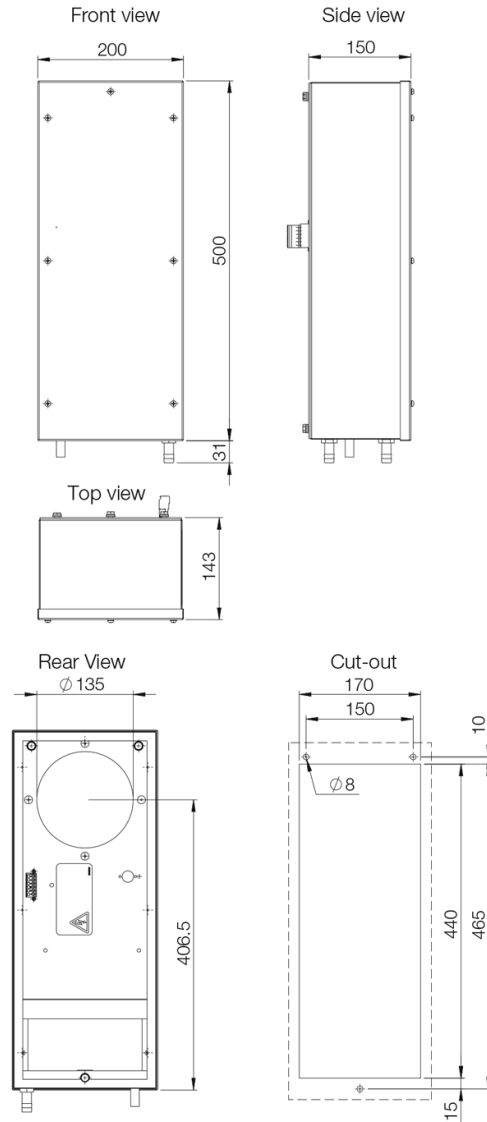
IP 55

CE EAC

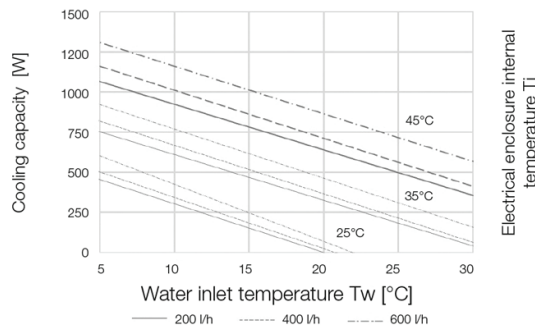
PWS7062R5



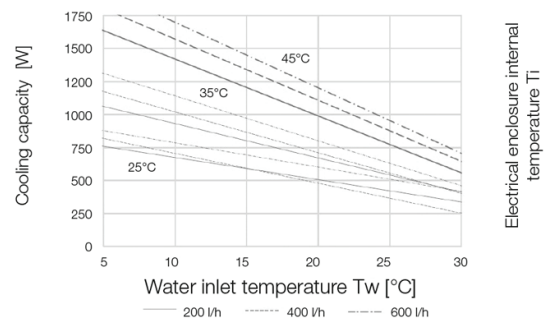
PWS7102R5



Performance



Performance



H	W	D	Cooling Capacity 200 l/h - W10/A35 (W)	Power W10/A35 (W)	Current W10/A35 (A)	Pre fuse T (A)	Starting current W10/A35 (A)		Noise (dB)	Weight (kg)	Item no.	
500	200	100	600	68 / 70	0.35 / 0.38	4	1.50 / 1.80	440	230V 50/60Hz	≤48	50 / 60	6.65
500	200	150	950	82 / 84	0.35 / 0.40	4	1.70 / 1.95	570	230V 50/60Hz	≤48	50 / 60	8.33
950	400	115	1500	125 / 182	0.55 / 0.75	4	2.00 / 2.00	850	230V 50/60Hz	53	50 / 60	23.33
950	400	190	3150	295 / 385	1.30 / 1.70	6	5.80 / 6.60	1670	230V 50/60Hz	54	50 / 60	25.56