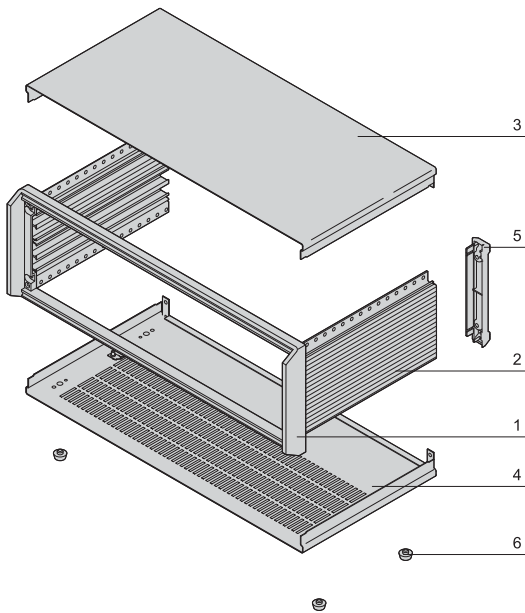


Desk-top enclosure – PropacPRO

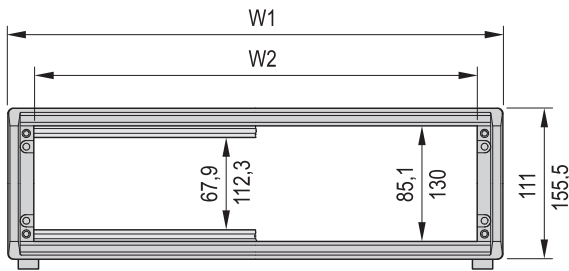
CASES, 2 AND 3 U, UNSHIELDED



05806001

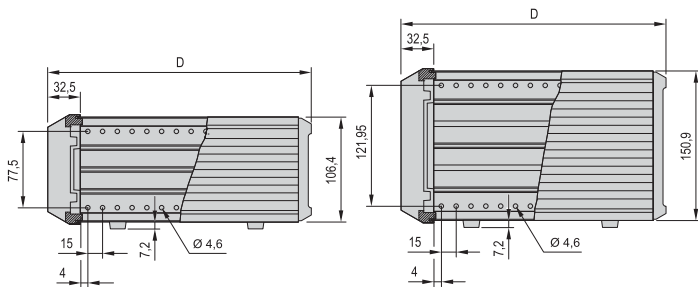


05806057



05806077

Cross-section 2 U, 3 U



2 U

05806059

3 U

05806060

- Desk-top case with pre-configured components, in accordance with IEC 60297-3-101; prepared for 19" components such as plug-in units and euroboards
- Ventilation slots in base plate
- Prepared for GND/earthing

DELIVERY COMPRISES (kit, items 1 - 5 fitted)

| Item | Qty | Description |
|------|-----|--|
| 1 | 1 | Frame, Al die-cast, powder-coated, RAL 7016 |
| 2 | 2 | Side panel, Al extrusion, powder-coated, RAL 9006 |
| 3 | 1 | Cover plate, Al, 1 mm, internal surface conductive, visible surface powder-coated, RAL 9006, with GND/earthing tag |
| 4 | 1 | Base plate, Al, 1 mm, internal surface conductive, visible surface powder-coated, RAL 9006, with GND/earthing tag, base plate with 4 rows of ventilation slots |
| 5 | 2 | End piece for rear, ABS, RAL 7016, UL 94 V-0; can be used as a foot for use in vertical position |
| 6 | 4 | Case foot with anti-slip protection, PC, black, UL 94 V-0 |
| 7 | 1 | Assembly kit |

ORDER INFORMATION

| Usable width | Width W1 | Depth D | 2 U | 3 U |
|--------------|----------|---------|-----------|-----------|
| W2 | W2 | mm | Part no. | Part no. |
| HP | mm | mm | | |
| 28 | 147.3 | 185.9 | – | 14576-101 |
| 28 | 147.3 | 185.9 | – | 14576-103 |
| 42 | 218.4 | 257 | 14576-021 | 14576-121 |
| 42 | 218.4 | 257 | 14576-023 | 14576-123 |
| 42 | 218.4 | 257 | – | 14576-125 |
| 63 | 325.1 | 363.7 | 14576-041 | 14576-141 |
| 63 | 325.1 | 363.7 | 14576-043 | 14576-143 |
| 63 | 325.1 | 363.7 | 14576-045 | 14576-145 |
| 84 | 431.8 | 470.3 | – | 14576-161 |
| 84 | 431.8 | 470.3 | – | 14576-163 |
| 84 | 431.8 | 470.3 | – | 14576-165 |
| 84 | 431.8 | 470.3 | – | 14576-167 |
| 84 | 431.8 | 470.3 | – | 14576-169 |

Accessories

GND/earthing kit Cu wire 1.5 mm², PVC sleeve, green/yellow, links side panels, base, cover and rear panel, PU 1 **21102-001** piece

Maximum mounting depth = D - 45
(Distance: front panel - rear panel)

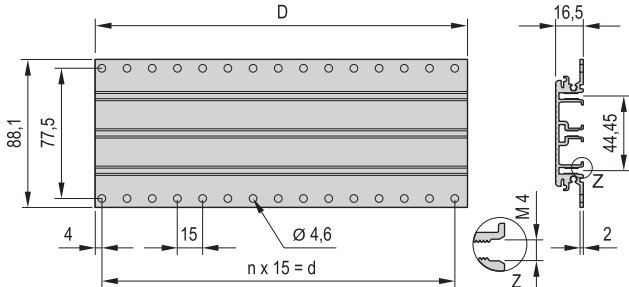
NOTE

- Case, 3 U with side panel for tip-up carrying handle, see page 5.52
- Dimensions see page 5.48
- Dimensions side panel, see page 5.53

Desk-top enclosure – PropacPRO

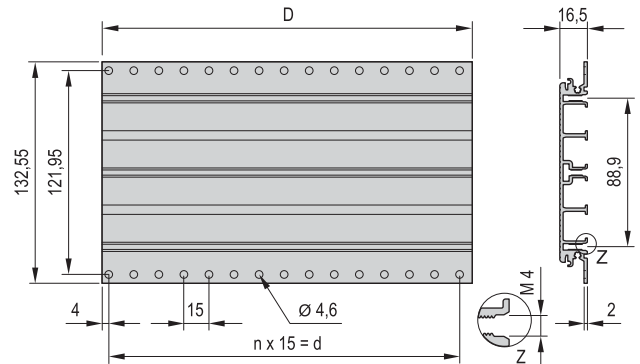
DIMENSIONS

Extruded side panel 2 U



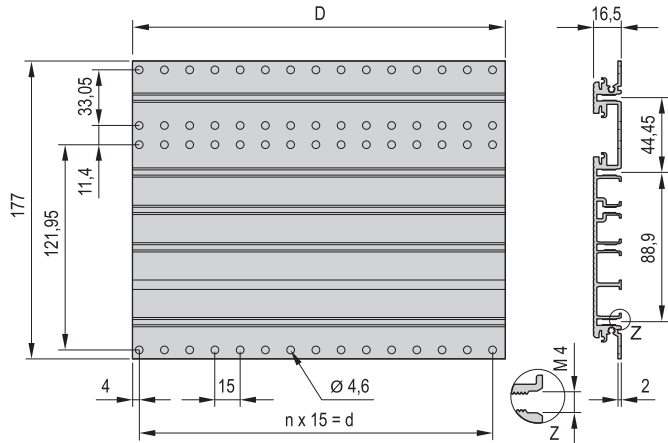
05806079

Extruded side panel 3 U



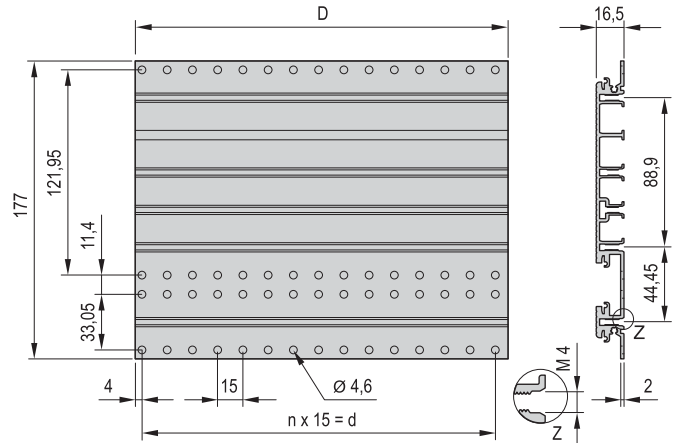
05806080

Extruded side panel 4 U, right



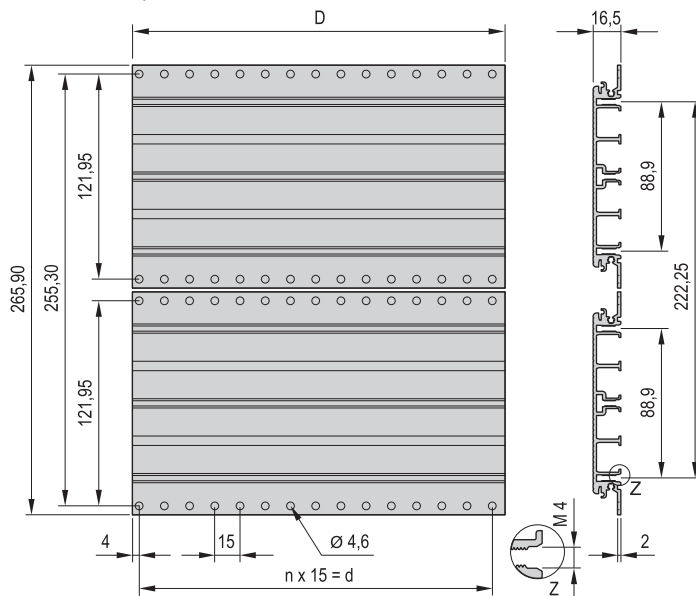
05806081

Extruded side panel 4 U, left



05806082

Extruded side panel 6 U



05806083

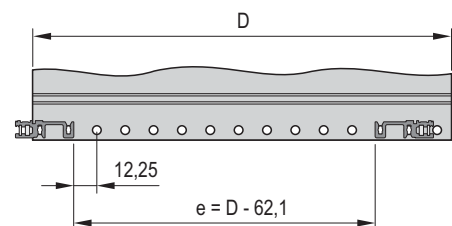
Dimensions table

| For case depth | D | d | n |
|----------------|-------|-----|----|
| mm | mm | mm | |
| 266 | 221.6 | 210 | 14 |
| 326 | 281.6 | 270 | 18 |
| 386 | 341.6 | 330 | 22 |
| 446 | 401.6 | 390 | 26 |
| 506 | 461.6 | 450 | 30 |

Note

A side panel for case 6 U consists of 2 pieces 3 U extruded side panels

Side panel with horizontal rail



05806107