

Desk-top enclosure – PropacPRO

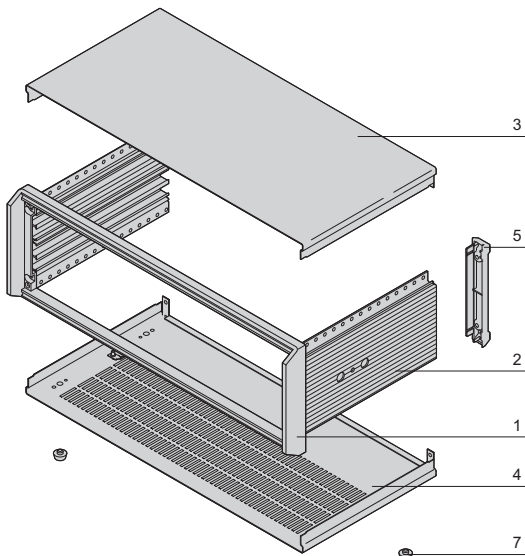
3 U AND 4 U CASES, UNSHIELDED, WITH HOLES FOR TIP-UP CARRYING HANDLE



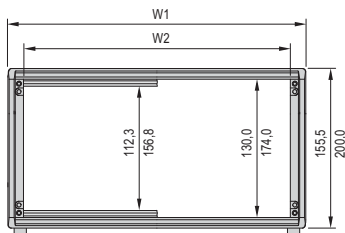
- Desk-top case with pre-configured components, in accordance with IEC 60297-3-101; prepared for 19" components such as plug-in units and euroboards
- Ventilation slots in base plate
- Prepared for GND/earthing
- Prepared for fitting of tip-up carrying handle

DELIVERY COMPRISES (kit, items 1 - 6 fitted)

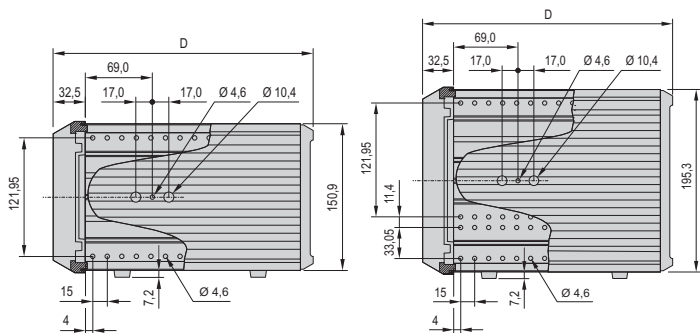
Item	Qty	Description	
	3 U	4 U	
1	1	1	Frame, Al die-cast, powder-coated, RAL 7016
2	2	4	Side panel, Al extrusion, powder-coated, RAL 9006; with drill holes for tip-up carrying handle
3	1	1	Cover plate, Al, 1 mm, internal surface conductive, visible surface powder-coated, RAL 9006, with GND/earthing tag
4	1	1	Base plate, Al, 1 mm, internal surface conductive, visible surface powder-coated, RAL 9006, with GND/earthing tag, base plate with 4 rows of ventilation slots
5	2	2	End piece for rear, ABS, RAL 7016, UL 94 V-0; can be used as a foot for use in vertical position
6	-	2	Cover trim for side panel, Al extrusion, powder-coated, RAL 9006
7	4	4	Case foot with anti-slip protection, PC, black, UL 94 V-0
8	1	1	Assembly kit



05812050



05812051



3 U

05812052

4 U

05812053

ORDER INFORMATION

Usable width	Width W1	Depth D	3 U	4 U	
W2	W2		Part no.	Part no.	
HP	mm	mm			
42	218.4	257.0	326	14577-123	14577-223
42	218.4	257.0	386	14577-125	-
63	325.1	363.7	326	14577-143	14577-243
63	325.1	363.7	386	14577-145	14577-245
84	431.8	470.3	326	14577-163	-
84	431.8	470.3	386	14577-165	14577-265

Accessories

GND/earthing kit Cu wire 1.5 mm ² , PVC sleeve, green/yellow, links side panels, base, cover and rear panel, PU 1 piece	21102-001
Tip-up carrying handle for 42 HP case width, PU 1 kit	24576-071
Tip-up carrying handle for 63 HP case width, PU 1 kit	24576-072
Tip-up carrying handle for 84 HP case width, PU 1 kit	24576-073

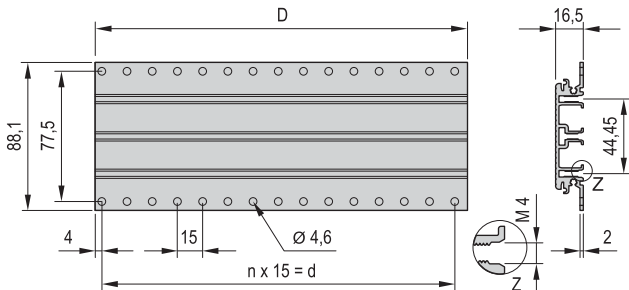
NOTE

- Dimensions see page 5.48
- Dimensions side panel, see page 5.53

Desk-top enclosure – PropacPRO

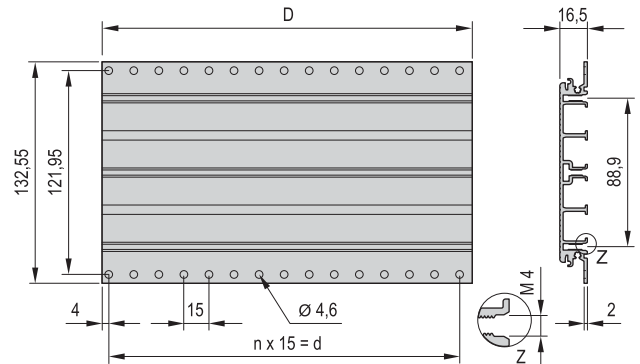
DIMENSIONS

Extruded side panel 2 U



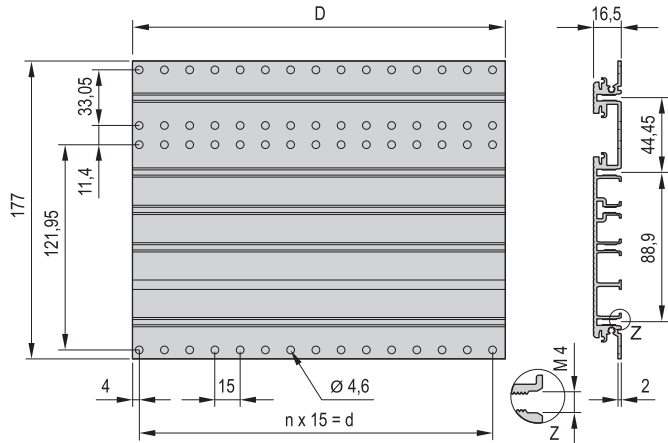
05806079

Extruded side panel 3 U



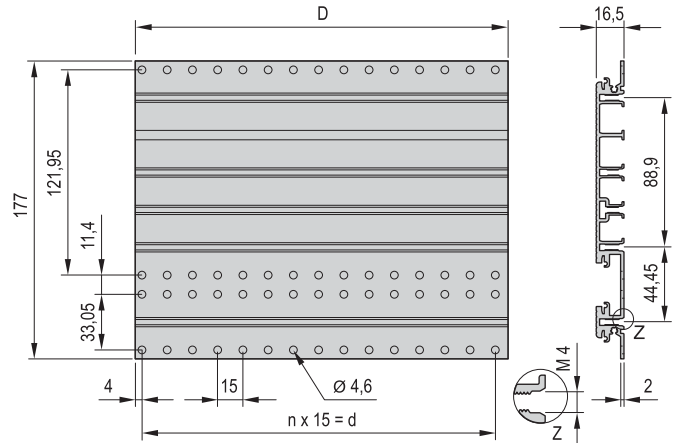
05806080

Extruded side panel 4 U, right



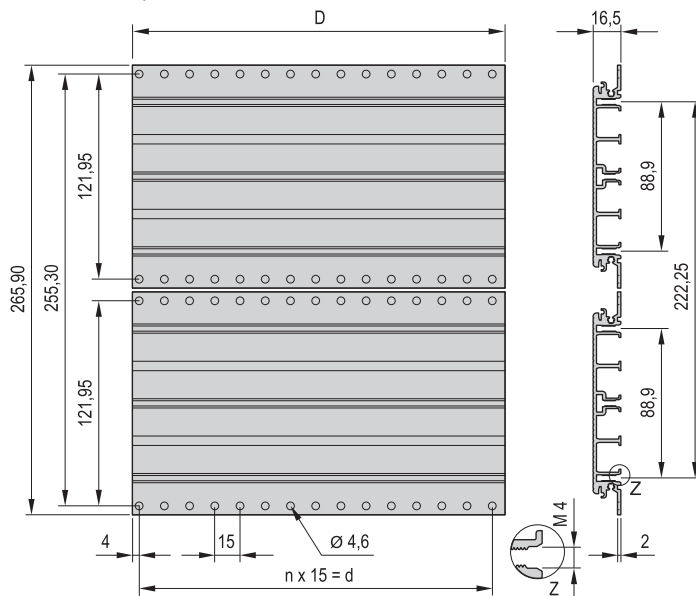
05806081

Extruded side panel 4 U, left



05806082

Extruded side panel 6 U



05806083

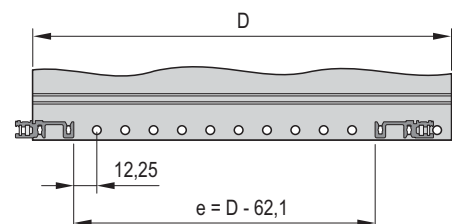
Dimensions table

For case depth	D	d	n
mm	mm	mm	
266	221.6	210	14
326	281.6	270	18
386	341.6	330	22
446	401.6	390	26
506	461.6	450	30

Note

A side panel for case 6 U consists of 2 pieces 3 U extruded side panels

Side panel with horizontal rail



05806107