

CONNECT AND PROTECT

CompactPCI



# Systems – CompactPCI subrack systems

## OVERVIEW

### MAIN KATALOG

- Cabinets . . . . . 1
- Wall mounted cases . . . . . 2
- Accessories for cabinets and wall mounted cases . . 3
- Climate control . . 4
- Electronics cases . . . . . 5
- Subracks/ 19" chassis . . . . . 6
- Front panels, plug-in units . . . . . 7
- Systems . . . . . 8
- Power supply units . . . . . 9
- Backplanes . . . . . 10
- Connectors, front panel component system . . . . . 11
- Appendix . . . . . 12



12306002

### WHAT WE UNDERSTAND TO BE A SYSTEM

We at SCHROFF regard a system as being a combination of mechanical components like a subrack or case with electronic components such as a backplane and power supply unit, a cooling unit where appropriate and a system management module.

### A STRONG STANDARD RANGE

Our extensive and highly-developed standard range offers you mechanical, electronic and thermal components in an almost unlimited variety of dimensions and specifications. Simply select a complete ready system or configure your system from our standard components, online or using the catalogue, to your exact requirements.

### STANDARDS/APPROVALS

- Inner and outer dimensions in accordance with:  
IEC 60297-3-101 / IEEE 1101.1  
IEC 60297-3-102 / IEEE 1101.10/11  
IEC 60297-3-103
- Ingress protection IP 20 in accordance with IEC 60529
- EMC testing in accordance with IEC 61587-3
- In accordance with PICMG 2.0 rev. 3.0,  
PICMG 2.16 and PXI 2.0



### FLEXIBILITY FOR MODIFICATIONS

Often only small adjustments are needed to create the required solution from a standard product. And we have set ourselves up to offer just that. We can make modifications in accordance with your individual specifications - with our usual speed and reliability.

### COMPETENT WITH NEW DEVELOPMENTS

If your requirements cannot be met with standard products or modified standard solutions, our qualified and experienced team will create a customised solution for your system. We have all the necessary development and manufacturing competencies gathered under one roof.

### AREAS OF APPLICATION

- Measurement, control and instrumentation technology
- Automation technology, machine monitoring
- Aerospace
- Defence systems
- Medical technology
- Telecommunications

# Systems – CompactPCI subrack systems

## OVERVIEW

### COMPACTPCI SUBRACK AND CASE SYSTEMS

- Large selection of standard CompactPCI, PSB and H.110 systems
- Standard systems to the new CompactPCI PlusIO and CompactPCI Serial standards
- Individual configuration within 9 working days
- Custom solutions on request



12310002

#### COMPACTPCI SERIAL

CompactPCI Serial (PICMG CPCI-S.0) is a systematic further development of CompactPCI. Instead of the former PCI bus, this defines the current and future serial protocols for data transmission. In addition to PCIe, S-ATA, USB 2.0 & 3.0 and Ethernet are also available on every slot.

CompactPCI Serial  
4 U, 9 slot . . . . . 8.70



12309004

#### COMPACTPCI PLUSIO

CompactPCI PlusIO (PICMG 2.30) defines a unified pinout for the fast serial PCIe, S-ATA, USB and Ethernet protocols on the 32-bit CompactPCI system slot. Hybrid CompactPCI/CompactPCI Serial systems can be built. CompactPCI PlusIO thus offers simple migration to the new technology.

CompactPCI PlusIO  
4 U, 8 slot . . . . . 8.72



12302002

#### COMPACTPCI

CompactPCI (PICMG 2.0) was specified in 1995 and is based on the widely-used PCI bus. This bus, with the CompactPCI specification, is packaged in a robust modular 19" enclosure and is thus suitable for industrial use.

CompactPCI subrack systems with ATX power supply, 1, 2, 3 U . . . 8.75  
with 19" power supply, 1, 2, 3 and 4 U . . . . . 8.76  
3 U . . . . . 8.77  
4 U . . . . . 8.78  
6 U . . . . . 8.80  
6 + 1 U . . . . . 8.81



12306003

#### PSB

PSB (Packet Switching Backplane, PICMG 2.16) and H.110 (Computer Telephony Bus, PICMG 2.5) are CompactPCI sub-specifications that define additional buses, specifically for telecommunications applications, in 6 U CompactPCI.

CompactPCI case systems  
4 U . . . . . 8.83  
7 U . . . . . 8.84

#### SUBRACKS

CompactPCI subracks for building an individual CompactPCI system can be found in the subracks section, page 6.16

PSB plug-in units  
4 U . . . . . 8.85  
10 U . . . . . 8.86

#### SERVICEPLUS

- e.g. individual configuration and assembly
- e.g. modifications (integration)
- e.g. downloads (CAD drawings, user manuals, test reports)
- e.g. custom solutions

PXI case system  
4 U, 8 slot, 44 HP . . . 8.87  
4 U, 21 slot . . . . . 8.88  
Express, 4 U, 8 Slot, 44 HP . . . . . 8.89

Subracks  
Kit, shielded, with/without rear I/O . . . . . 6.16

# Systems – CompactPCI Serial

## COMPACTPCI SERIAL, 4 U, WITH/WITHOUT REAR I/O



Front view (24579-416)

12315001



Front view with rear I/O (24579-421)

12315002



Rear view with rear I/O (24579-421)

12315003



Fan module

12315004

- 4 U CompactPCI Serial system with vertical 3 U board cage
- Airflow from bottom to top with fan modules that can be changed on the front
- Retrofittable air filter
- Supports PCIe up to Gen3, USB 2.0 and 3.0, S-ATA up to Rev 3.0, and Ethernet up to 10 GBase-T
- Preference types can be ordered directly from stock, other configurations on request
- AC wide range input, 1 pluggable 300 W PSU (without rear I/O), 2 pluggable 300 W PSUs (with rear I/O)
- 9 slot backplane, system slot left, Ethernet as star

### DELIVERY INCLUDES (completely assembled, wired and tested)

Item	Qty	Description
1	1	Shielded 19" chassis, Al; perforated top cover and base plate; front handles
2	9	Slot at front; IEEE guide rails incl. ESD clips (ESD clips fitted at bottom front), for vertical board mounting (3 U, 160 mm deep)
3	9	Version with rear I/O: Slot at rear; IEEE guide rails incl. ESD clips (ESD clips fitted at bottom), for vertical mounting of rear I/O boards (3 U, 80 mm deep)
4	1	CompactPCI Serial backplane for 3 U boards; 9 slot, system slot left (without rear I/O part no. 23007-629, with rear I/O part no. 23007-669)
5	1 / 2	Power backplane, 3 U, 8 HP with 1 x Pwrblade connector without rear I/O, 2 power backplanes for version with rear I/O (part no. 23098-397)
6	1 / 2	19" PSU, 300 W, 3 U, 8 HP (part no. 11098-538); 2 PSUs installed for version with rear I/O
7	1	AC input module, 3 U, 8 HP; A/C line filter, max. current 10 A
8	1	Hot-swap fan tray, pull-out, 1 U, 3 x 12 V <sub>DC</sub> fans
9	1	Cable harness to connect all system components

### ORDER INFORMATION

Height	Width	Depth	Number	Version	Part no.
U	mm	HP	of slots		
4	177	84	9	Without rear I/O	<b>24579-416</b>
4	177	84	9	With rear I/O	<b>24579-421</b>

### Accessories

Air filter retainer for CompactPCI Serial systems	1 piece	24579-632
Air filter mat for CompactPCI, CompactPCI Serial, and VME systems	1 piece	<b>60713-471</b>

### Note

- System in accordance with IEC 60297-3-101, -102, -103; IEEE 1101.1, 1101.10/11; backplane in accordance with PICMG CPCI-S.0
- Modified systems available on request

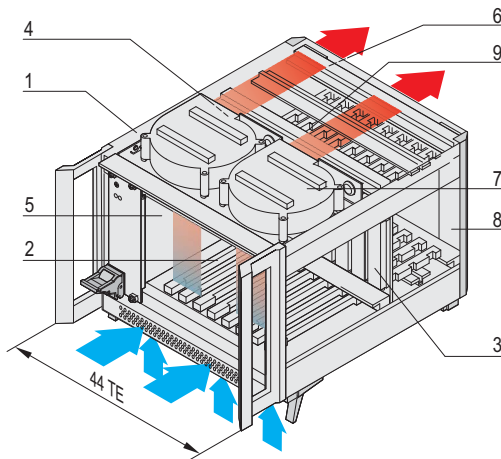


# Systems – CompactPCI Serial subrack sys-

**4 U, 9 SLOT, 44 HP, WITHOUT REAR I/O, WITH 19" PSU**



Frontansicht



12315005

- System for vertical board mounting with board format
  - Front: 3 U, 160 mm deep, 9 slot
- Backplane
  - 9 slot, 3 U, CompactPCI Serial
- 19" PSU, 300 W, 3 U, 8 HP
- Heat dissipation by two radial fans, from front to rear

**DELIVERY COMPRISES** (completely assembled, wired and tested)

Item	Qty	Description
1	1	ratiopacPRO-air case, RAL 9006, shielded, perforated air inlet/exhaust openings front and rear; front handles RAL 7016
2	9	Front slot; IEEE guide rails, incl. ESD clips (ESD clips fitted to bottom front), for vertical boards (3 U, 160 mm deep)
3	1	Backplane for 3 U boards; 9 slot CompactPCI Serial (part no. <a href="#">23007-629</a> )
4	1	Power backplane, 3 U, 8 HP with 1 x P47 connector (part no. <a href="#">23098-397</a> )
5	1	19" compatible power supply, 250 W (3 U, 8 HP; part no. <a href="#">11098-538</a> )
6	1	AC input module, 3 U, 8 HP; AC line filter, 110 ... 250 V <sub>AC</sub> , 50 ... 60 Hz, max. current 10 A
7	2	Radial fan, 36 m <sup>3</sup> /h each, free blowing
8	1	Front panel, rear, 3 U, 36 HP
9	1	Cable harness, adaptor board ( <a href="#">23098-399</a> ) to connect all system components

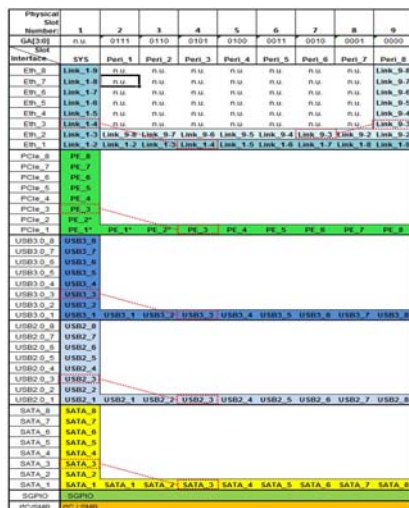
**ORDER INFORMATION**

Height U	Height mm	Width HP	Depth mm	Number of slots	Part no.
4	177	44	275	9	24579-634

**Accessories**

Equipment cables	<b>Page 3.38</b>
Front panels	<b>Page 7.5</b>
Modules to mount drive units	<b>Page 8.110</b>
Front panels with handle	<b>Page 7.32</b>
Fan control modules (FCM)	<b>Page 8.108</b>

12312050



12415029

Backplane topology



**Note**

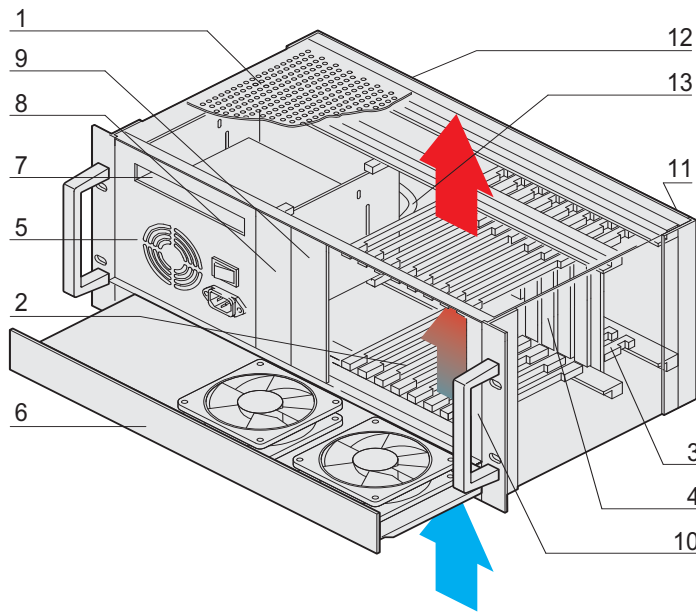
- Modified systems available on request
- System in accordance with IEC 60297-3-101, -102, -103; IEEE 1101.1, 1101.10/11; backplane in accordance with PICMG CPCI-S.0

# Systems – CompactPCI PlusIO subrack sys-

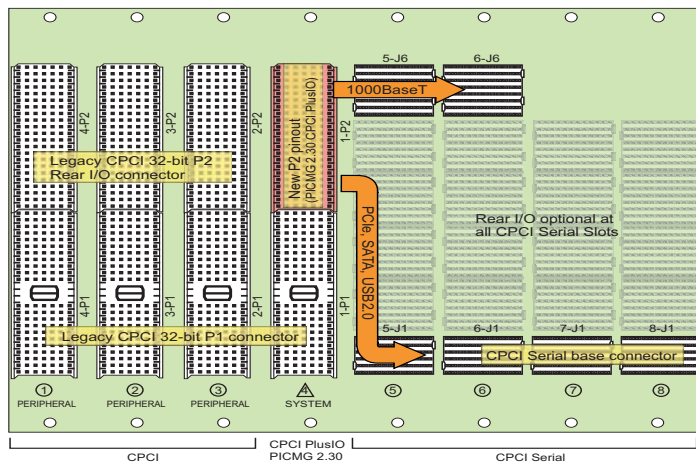
4 U, 8 SLOT, WITH REAR I/O, ATX PSU



12309004



12308050



12409051

Backplane topology



- System for vertical board mounting with board format
  - Front: 3 U, 160 mm deep, 8 slot
  - Rear, rear I/O: 3 U, 80 mm deep, 3 slot
- Backplane
  - 4 slot, 3 U, 32 bit, CompactPCI
  - 4 slot, 3 U, CompactPCI PlusIO
  - Power Backplane
- ATX PSU, 300 W
- Heat dissipation by 1 U hot-swap fan unit, from bottom to top
- Option to mount a slimline DVD drive and hard disk

**DELIVERY COMPRISES** (completely assembled, wired and tested)

Item	Qty	Description
1	1	Shielded 19" chassis, Al; perforated top cover and base plate; front handles
2	8	Front slot; IEEE guide rails, incl. ESD clips (ESD clips fitted to bottom front), for vertical boards (3 U, 160 mm deep)
3	3	Rear slot; IEEE guide rails, incl. ESD clips (ESD clips fitted to bottom), for vertical rear I/O boards (3 U, 80 mm deep)
4	1	Backplane for 3 U boards; 8 slots comprising 4 slots 32-bit CompactPCI plus 4 slots CompactPCI PlusIO (PICMG 2.30, part no. 23007-601)
5	1	ATX power supply, 300 W; 32 HP wide range input 100 ... 240 V <sub>AC</sub> , (3.3 V/28 A, 5 V/35 A, 12 V/22 A, -12 V/0.8 A); IEC AC input module with socket; mains switch; fan
6	1	Hot-swap fan tray, extractable, 1 U, 2 x 12 V <sub>DC</sub> fan
7	1	Module to accommodate a slimline DVD drive unit
8	1	3 U, 8 HP module to accommodate a hard disk drive
9	1	Front panel, front, 3 U, 8 HP
10	1	Front panel, front, 3 U, 4 HP, removable, to expand system slot to 8 HP
11	1	Front panel, rear, 3 U, 24 HP
12	1	Front panel, rear, 3 U, 48 HP
13	1	Cable harness to connect all system components

**ORDER INFORMATION**

Height U	Height mm	Width HP	Depth mm	Number of slots	Part no.
4	177	84	275	8	24579-405

**Accessories**

Equipment cables	<b>Page 3.38</b>
Front panels	<b>Page 7.5</b>
Modules to mount drive units	<b>Page 8.110</b>
Front panels with handle	<b>Page 7.32</b>
Fan control modules (FCM)	<b>Page 8.108</b>

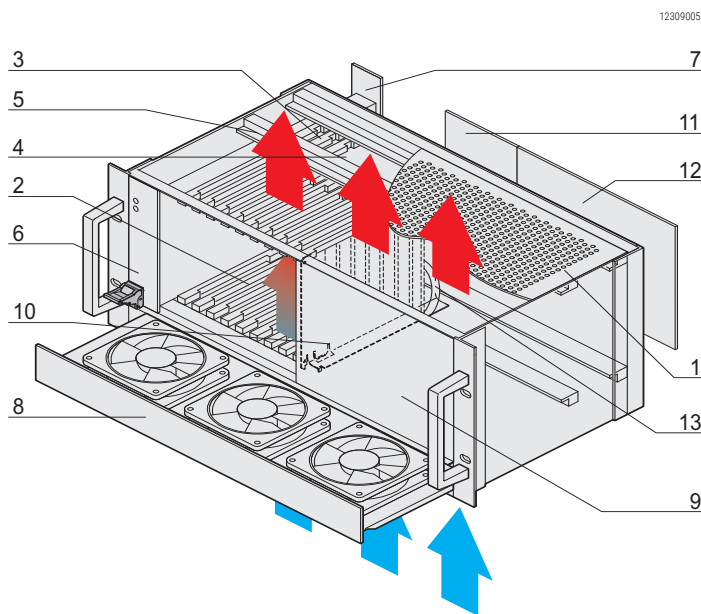
**Note**

- Modified systems available on request
- System in accordance with IEC 60297-3-101, -102, -103; IEEE 1101.1, 1101.10/11; backplane in accordance with PICMG 2.0 rev. 3.0 and 2.30

# Systems – CompactPCI PlusIO subrack sys-

**4 U, 8 SLOT, WITH REAR I/O, 19"-COMPATIBLE PSU**

- System for vertical board mounting with board format
  - Front: 3 U, 160 mm deep, 8 slot
  - Rear, rear I/O: 3 U, 80 mm deep, 3 slot
- Backplane
  - 4 slot, 3 U, 32 bit, CompactPCI
  - 4 slot, 3 U, CompactPCI PlusIO
  - Power backplane
- 19"-compatible PSU, 250 W, 3 U, 8 HP
- Heat dissipation by 1 U hot-swap fan unit, from bottom to top
- Option to mount a hard disk



12309005

12309053

**DELIVERY COMPRISES** (completely assembled, wired and tested)

Item	Qty	Description
1	1	Shielded 19" chassis, Al; perforated top cover and base plate; front handles
2	8	Front slot; IEEE guide rails, incl. ESD clips (ESD clips fitted to bottom front), for vertical boards (3 U, 160 mm deep)
3	3	Rear slot; IEEE guide rails, incl. ESD clips (ESD clips fitted to bottom), for vertical rear I/O boards (3 U, 80 mm deep)
4	1	Backplane for 3 U boards; 8 slots comprising 4 slots 32-bit CompactPCI plus 4 slots CompactPCI PlusIO (PICMG 2.30, part no. 23007-601)
5	1	Power backplane, 3 U, 8 HP with 1 x P47 connector (part no. 23098-105)
6	1	19" compatible power supply, 250 W (3 U, 8 HP, part no. 13100-141)
7	1	AC input module, 3 U, 8 HP; AC line filter, 110 ... 250 V <sub>AC</sub> , 50 ... 60 HZ, max. current 10 A
8	1	Hot-swap fan tray, extractable, 1 U, 3 x 12 V <sub>DC</sub> fans
9	1	Front panel front, 3 U, 44 HP
10	1	Air baffle, 3 U, 160 mm deep
11	1	Front panel, rear, 3 U, 60 HP
12	1	Front panel, rear, 3 U, 4 HP
13	1	Cable harness to connect all system components

**ORDER INFORMATION**

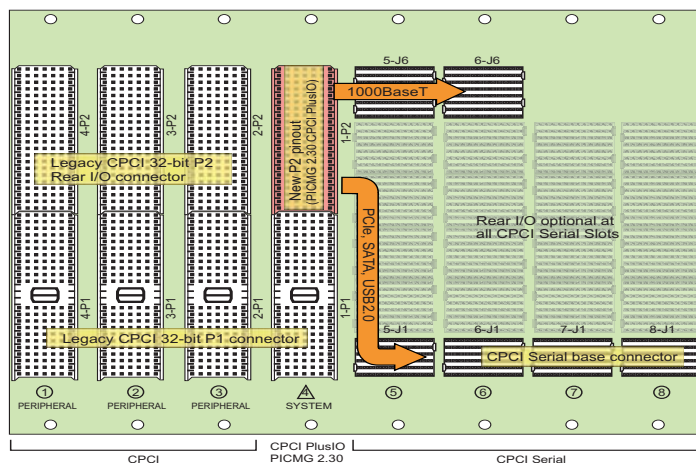
Height U	Height mm	Width HP	Depth mm	Number of slots	Part no.
4	177	84	275	8	24579-400

**Accessories**

Equipment cables	<b>Page 3.38</b>
Front panels	<b>Page 7.5</b>
Modules to mount drive units	<b>Page 8.110</b>
Front panels with handle	<b>Page 7.32</b>
Fan control modules (FCM)	<b>Page 8.108</b>

**Note**

- Modified systems available on request
- System in accordance with IEC 60297-3-101, -102, -103; IEEE 1101.1, 1101.10/11; backplane in accordance with PICMG 2.0 rev. 3.0 and 2.30



12409051

Backplane topology

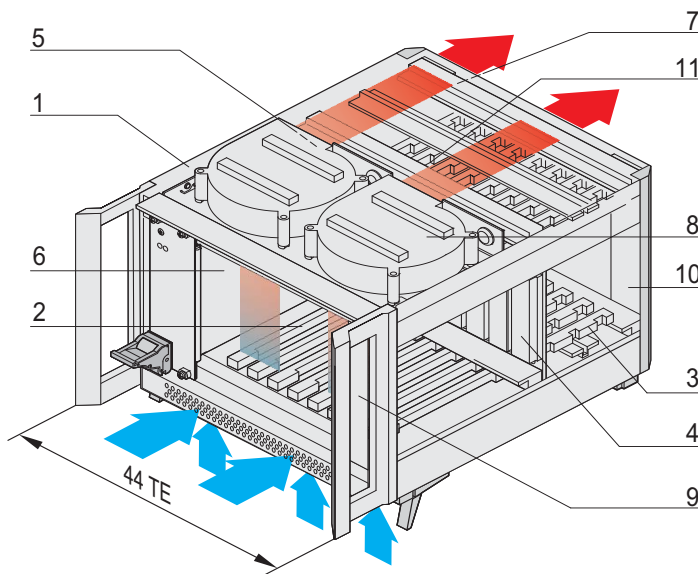


# Systems – CompactPCI PlusIO subrack sys-

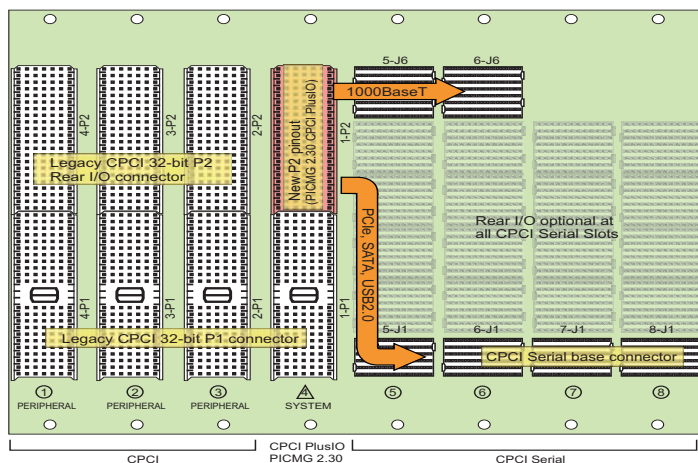
4 U, 8 SLOT, 44 HP, WITH REAR I/O



12312001



12309052



12409051

Backplane topology



- System for vertical board mounting with board format
  - Front: 3 U, 160 mm deep
  - Rear I/O: 3 U, 80 mm deep, 3 slot
- Backplane
  - 4 slot, 3 U, 32 bit, CompactPCI
  - 4 slot, 3 U, CompactPCI PlusIO
  - Power Backplane
- 19" PSU, 250 W, 3 U, 8 HP
- Heat dissipation by two radial fans, from front to rear

**DELIVERY COMPRISES** (completely assembled, wired and tested)

Item	Qty	Description
1	1	ratiopacPRO-air case, RAL 9006, shielded, perforated air inlet/exhaust openings front and rear; front handles RAL 7016
2	8	Front slot; IEEE guide rails, incl. ESD clips (ESD clips fitted at bottom front), for vertical boards (3 U, 160 mm deep)
3	3	Rear slot; IEEE guide rails, incl. ESD clips (ESD clips fitted at bottom), for vertical rear I/O boards (3 U, 80 mm deep)
4	1	Backplane for 3 U boards; 8 slots comprising 4 slots 32-bit CompactPCI plus 4 slots CompactPCI PlusIO (PICMG 2.30, part no. 23007-601)
5	1	Power backplane, 3 U, 8 HP with 1 x P47 connector part no. 23098-105)
6	1	19" compatible power supply, 250 W (3 U, 8 HP; part no. 13100-141)
7	1	AC input module, 3 U, 8 HP; AC line filter, 110 ... 250 V <sub>AC</sub> , 50 ... 60 HZ, max. current 10 A
8	2	Radial fan, 36 m <sup>3</sup> /h each, free blowing
9	1	Front panel, front, 3 U, 4 HP, removable
10	1	Front panel, rear, 3 U, 24 HP
11	1	Cable harness to connect all system components

Height U	Height mm	Width HP	Depth mm	Number of slots	Part no.
4	177	44	275	8	24579-605

**Accessories**

Equipment cables	<b>Page 3.38</b>
Front panels	<b>Page 7.5</b>
Modules to mount drive units	<b>Page 8.110</b>
Front panels with handle	<b>Page 7.32</b>
Fan control modules (FCM)	<b>Page 8.108</b>

**Note**

- Modified systems available on request
- System in accordance with IEC 60297-3-101, -102, -103; IEEE 1101.1, 1101.10/11; backplane in accordance with PICMG 2.0 rev. 3.0 and 2.30



# Systems – CompactPCI subrack systems

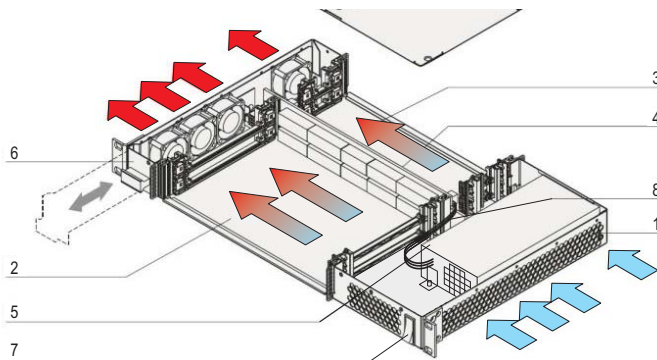
## SYSTEMS, 1, 2, 3 U, WITH REAR I/O AND ATX PSU



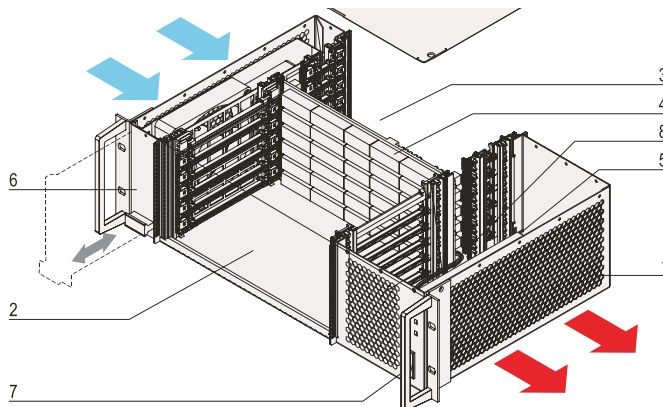
12305001



12305005



12304055



12304060

- System for horizontal board mounting with board format
  - Front: 6 U, 160 mm deep
  - Rear, rear I/O: 6 U, 80 mm deep
- Backplane: 2, 4, 6 slot, 64 bit; system slot on left
- ATX PSU
- Heat dissipation by extractable hot-swap fan unit;
  - in 1 U system from right to left;
  - in 2 and 3 U systems from left to right

### DELIVERY COMPRISES (completely assembled, wired and tested)

Item	Qty	Description
1	1	Shielded 19" chassis, St, powder-coated, black, RAL 9005
2	1	Number of front slots see Order Information; IEEE guide rails, incl. ESD clips (ESD clips fitted to front left), for horizontal board mounting (6 U, 160 mm deep)
3	1	Number of rear slots see Order Information; IEEE guide rails, incl. ESD clips (ESD clips fitted to front left), for horizontal mounting of rear I/O boards (6 U, 80 mm deep)
4	1	Backplane for 6 U boards, for number of slots see Order Information, 64 bit; system slot on the left
5	1	ATX PSU, wide input range 100 ... 240 V <sub>AC</sub> (rating data see Order Information); IEC plug, switch (controls DC power only), LED (Power ON); Fan
6	1	Hot-swap fan unit, number of fans see Order Information
7	1	Mains switch
8	1	Cable harness to connect all system components

### Note

- Modified systems available on request
- System in accordance with IEC 60297-3-101, -102, -103; IEEE 1101.1, 1101.10/11; backplane in accordance with PICMG 2.0 rev. 3.0 and 2.30

### ORDER INFORMATION

Height	Depth	Backplane	Fan unit	Power supply	Part no.
U	mm	Slots	Number of fans		
1	43.65	2 slot, 6 U	4	ATX 250 W, 3.3 V/14 A, 5 V/23 A, 12 V/16 A, -12 V/0.5 A	<b>24579-077</b>
2	88.10	4 slot, 6 U	2	ATX 250 W, 3.3 V/14 A, 5 V/20 A, 12 V/16 A, -12 V/0.8 A	<b>24579-081</b>

\*) Systems with additional heat dissipation in rear I/O space for 3 U systems available on request



### Accessories

Equipment cables	<b>Page 3.38</b>
Front panels	<b>Page 7.5</b>
Modules to mount drive units	<b>Page 8.110</b>
Front panels with handle	<b>Page 7.32</b>
Fan control modules (FCM)	<b>Page 8.108</b>

# Systems – CompactPCI subrack systems

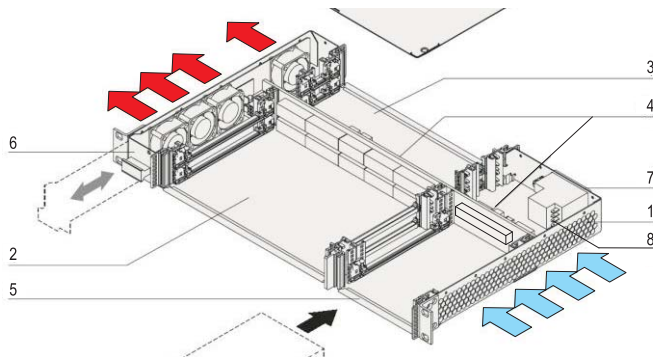
SYSTEMS, 1, 2, 3, 4 U, WITH REAR I/O, FOR 19" PSU



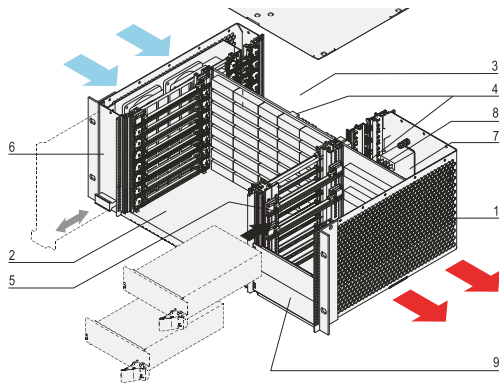
12305002



12305007



12304056



- System for horizontal board mounting with board format
  - Front: 6 U, 160 mm deep
  - Rear, rear I/O: 6 U, 80 mm deep
- Monolithic backplane for signals and power
  - 2, 4, 6, 8 slot, 6 U, 64 bit; system slot on left
  - Power plug to PICMG 2.11 (P 47)
- Prepared for installation of 19" CompactPCI PSUs (3 U, 8 HP)
- Heat dissipation by extractable hot swap fan unit; 1 U system from right to left; in 2, 3 and 4 U systems from left to right

**DELIVERY COMPRISES** (completely assembled, wired and tested)

Item	Qty	Description
1	1	Shielded 19" chassis, St, powder-coated, black, RAL 9005
2	1	Number of slots to front see Order Information; IEEE guide rails, incl. ESD clips (ESD clips fitted front right), for horizontal board mounting (6 U, 160 mm deep)
3	1	Number of rear slots see Order Information; IEEE guide rails, incl. ESD clips (ESD clips fitted front right), for horizontal mounting of rear I/O boards (6 U, 80 mm deep)
4	1	Monolithic backplane for 6 U boards and voltage supply, for number of slots see Order Information, 64 bit; system slot left, in accordance with PICMG 2.0 rev. 3.0, voltage supply: 1 x P 47 socket for 1 U, 2 x P 47 socket for 2, 3, 4 U
5	1	Installation space for 19" CompactPCI power supply unit (3 U, 8 HP; For quantity see Order Information)
6	1	Hot-swap fan unit, number of fans see Order Information
7	1	AC input (IEC plug), mains filter module, fuse, mains switch
8	1	Cable harness to connect all system components
9	1	3 U, 8 HP front panel, mounted at front, from 2 U system

**Note**

- Modified systems available on request
- 48 V<sub>DC</sub> version on request
- System in accordance with IEC 60297-3-101, -102, -103; IEEE 1101.1, 1101.10/11; backplane in accordance with PICMG 2.0 rev. 3.0 and 2.30

**ORDER INFORMATION**

Height U	Height mm	Depth mm	Backplane Slots	Fan unit Number of fans	Power supply (please order separately)	Quantity Connector type	Part no.
1	43.65	275	2 slot, 6 U	4	1	1 x P 47	<b>24579-078</b>
2	88.10	275	4 slot, 6 U	2	2	2 x P 47	<b>24579-082</b>
3	132.50	275	6 slot, 6 U	1 *)	2 ... 3	2 x P 47	<b>24579-080</b>
4	177.00	275	8 slot, 6 U	4 *)	2 ... 4	2 x P 47	24579-106

19" compatible power supply, 250 W, 3 U, 8 HP Please order PSU separately, see page 9.24

**13100-141**

\*) Systems with additional heat dissipation in rear I/O space for 3 U and 4 U systems available on request

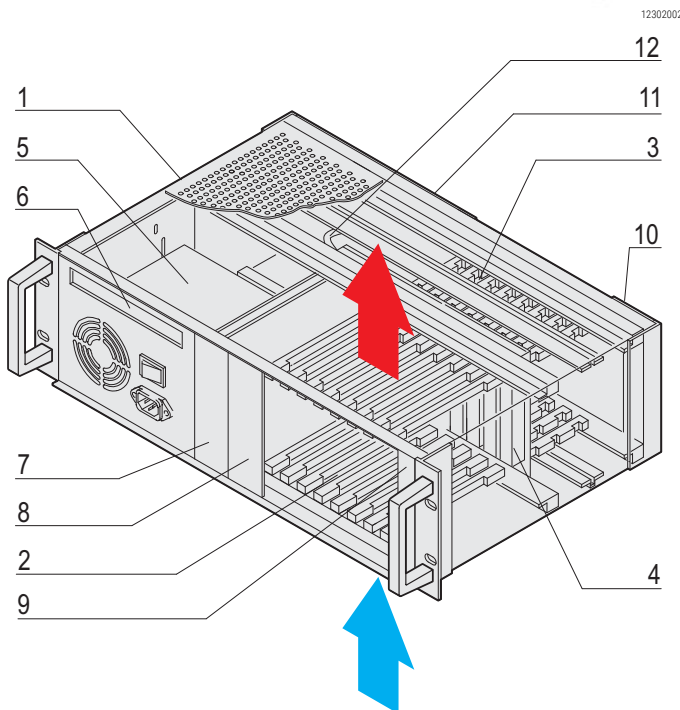


**Accessories**

Equipment cables	<b>Page 3.38</b>
Front panels	<b>Page 7.5</b>
Modules to mount drive units	<b>Page 8.110</b>
Front panels with handle	<b>Page 7.32</b>
Fan control modules (FCM)	<b>Page 8.108</b>

# Systems – CompactPCI subrack systems

## SYSTEM, 3 U, 8 SLOT, WITH REAR I/O



- System for vertical board mounting with board format
  - Front: 3 U, 160 mm deep
  - Rear, rear I/O: 3 U, 80 mm deep
- Backplane
  - 8 slot, 3 U, 32 bit; system slot on right
  - 8 HP wide CPU can be used
- ATX PSU, 300 W
- Heat dissipation by convection, upward from below
- Option to mount a slimline DVD drive and hard disk

### DELIVERY COMPRISES (completely assembled, wired and tested)

Item	Qty	Description
1	1	Shielded 19" chassis, Al; perforated top cover and base plate; 2 front handles
2	8	Front slot; IEEE guide rails, incl. ESD clips (ESD clips fitted bottom front), for vertical boards (3 U, 160 mm deep)
3	8	Rear slot; IEEE guide rails, incl. ESD clips (ESD clips fitted bottom), for vertical rear I/O boards (3 U, 80 mm deep)
4	1	Backplane for 3 U boards; 8 slot, 32 bit (part no. <a href="#">23006-818</a> ); system slot on right, 4 HP (8 HP wide CPU can be used)
5	1	ATX power supply; 300 W; 32 HP, wide input range 100 ... 240 V <sub>AC</sub> (3.3 V/28 A, 5 V/35 A, 12 V/22 A, -12 V/0.8 A); IEC AC input module with socket; mains switch; fan
6	1	Module to accommodate a slimline DVD drive unit
7	1	3 U, 8 HP module to accommodate a hard disk drive
8	1	Front panel front, 3 U, 8 HP
9	1	Front panel, front, 3 U, 4 HP, to expand system slot to 8 HP
10	1	Front panel, rear, 3 U, 4 HP
11	1	Front panel, rear, 3 U, 48 HP
12	1	Cable harness to connect all system components

### ORDER INFORMATION

Height	Height	Depth	Number of slots	Part no.
U	mm	mm		
3	132.55	275	8	<b>24579-031</b>

### Accessories

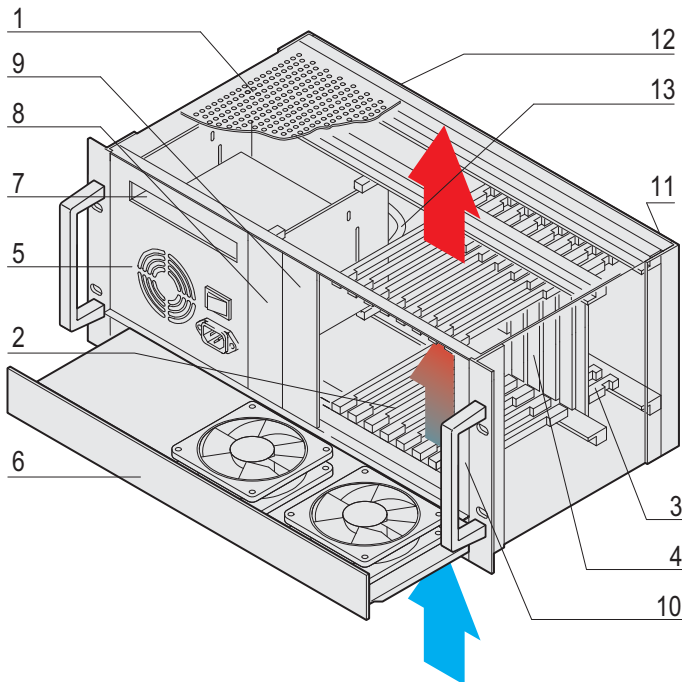
DC fan 12 V, air flow volume 140 m <sup>3</sup> /h, 119 x 119 x 32 mm, 1 piece	<b>60713-600</b>
Fan retainer for 119 x 119 x 32 mm fan, (E)PB foam, 1 piece	<b>24579-212</b>
Fan tray, 1 U for 3 or 6 U CompactPCI systems (boards assembled vertically), 1 piece	<b>24579-105</b>
Air filter consisting of filter holder and filter mat, PU 1 set	<b>24579-033</b>
Equipment cables	<b>Page 3.38</b>
Front panels	<b>Page 7.5</b>
Modules to mount drive units	<b>Page 8.110</b>
Front panels with handle	<b>Page 7.32</b>
Fan control modules (FCM)	<b>Page 8.108</b>

### Note

- Modified systems available on request
- System in accordance with IEC 60297-3-101, -102, -103; IEEE 1101.1, 1101.10/11; backplane in accordance with PICMG 2.0 rev. 3.0 and 2.30

# Systems – CompactPCI subrack systems

## SYSTEM, 4 U, 8 SLOT, WITH REAR I/O, ATX FRAME PSU



12308001

12308050

- System for vertical board mounting with board format
  - Front: 3 U, 160 mm deep
  - Rear, rear I/O: 3 U, 80 mm deep
- Backplane
  - 8 slot, 3 U, 32 bit; system slot on right
  - 8 HP wide CPU can be used
- ATX PSU, 300 W
- Heat dissipation by 1 U hot-swap fan unit, upward from below
- Option to mount a slimline DVD drive and hard disk

### DELIVERY COMPRISES (completely assembled, wired and tested)

Item	Qty	Description
1	1	Shielded 19" chassis, Al; perforated top cover and base plate; front handles
2	8	Front slot; IEEE guide rails, incl. ESD clips (ESD clips fitted to bottom front), for vertical boards (3 U, 160 mm deep)
3	8	Rear slot; IEEE guide rails, incl. ESD clips (ESD clips fitted to bottom), for vertical rear I/O boards (3 U, 80 mm deep)
4	1	Backplane for 3 U boards; 8 slot, 32 bit (part no. <a href="#">23006-818</a> ); system slot on right, 4 HP (8 HP wide CPU can be used)
5	1	ATX power supply, 300 W; 32 HP, wide input range 100 ... 240 V <sub>AC</sub> (3.3 V/28 A, 5 V/35 A, 12 V/22 A, -12 V/0.8 A); IEC AC input module with socket; mains switch; fan
6	1	Hot-swap fan tray, extractable, 1 U, 2 × 12 V <sub>DC</sub> fans
7	1	Module to accommodate a slimline DVD drive unit
8	1	Module to accommodate a CD ROM drive, 3 U, 8 HP
9	1	Front panel, front, 3 U, 8 HP
10	1	Front panel, front, 3 U, 4 HP, removable, to expand system slot to 8 HP
11	1	Front panel, rear, 3 U, 4 HP
12	1	Front panel, rear, 3 U, 48 HP
13	1	Cable harness to connect all system components

### ORDER INFORMATION

Height U	Height mm	Width HP	Depth mm	Number of slots	Part no.
4	177	84	275	8	24579-250

#### Accessories

Air filter consisting of filter holder and filter mat, PU 1 set	<b>24579-033</b>
Equipment cables	<b>Page 3.38</b>
Front panels	<b>Page 7.5</b>
Modules to mount drive units	<b>Page 8.110</b>
Front panels with handle	<b>Page 7.32</b>
Fan control modules (FCM)	<b>Page 8.108</b>

### Note

- Modified systems available on request
- System in accordance with IEC 60297-3-101, -102, -103; IEEE 1101.1, 1101.10/11; backplane in accordance with PICMG 2.0 rev. 3.0 and 2.30

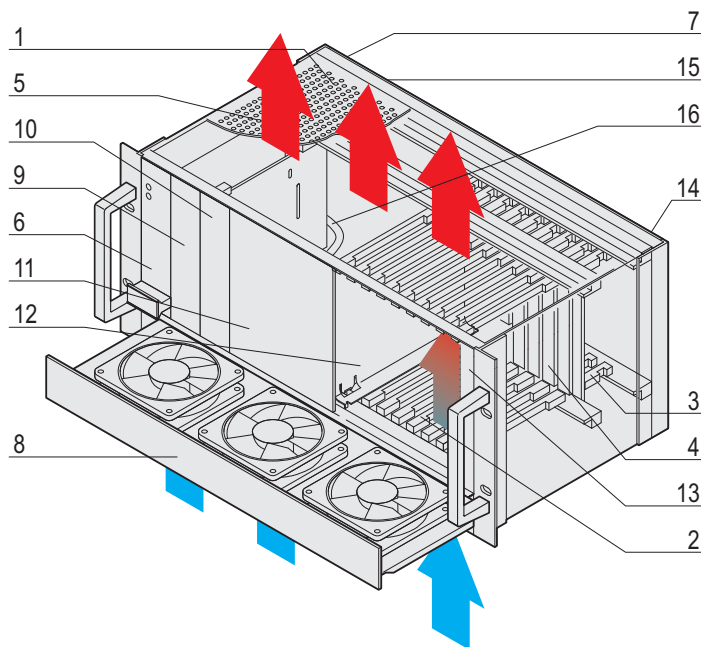


# Systems – CompactPCI subrack systems

## SYSTEM, 4 U, 8 SLOT, WITH REAR I/O, 19"-COMPATIBLE PSU



1230805



12308052



- System for vertical board mounting with board format
  - Front: 3 U, 160 mm deep
  - Rear, rear I/O: 3 U, 80 mm deep
- Backplane
  - 8 slot, 3 U, 32 bit; system slot on right
  - 8 HP wide CPU can be used, power backplane
- 19"-compatible PSU, 250 W, 3 U, 8 HP
- Heat dissipation by 1 U hot-swap fan unit, from bottom to top
- Option to mount a hard disk

### DELIVERY COMPRISES (completely assembled, wired and tested)

Item	Qty	Description
1	1	Shielded 19" chassis, AI; perforated top cover and base plate; front handles
2	8	Front slot; IEEE guide rails, incl. ESD clips (ESD clips fitted to bottom front), for vertical boards (3 U, 160 mm deep)
3	8	Rear slot; IEEE guide rails, incl. ESD clips (ESD clips fitted to bottom), for vertical rear I/O boards (3 U, 80 mm deep)
4	1	Backplane for 3 U boards; 8 slot, 32 bit (part no. 23006-818); system slot on right, 4 HP (8 HP wide CPU can be used)
5	1	Power backplane, 3 U, 8 HP with 1 x P47 plug
6	1	19" compatible power supply, 250 W (3 U, 8 HP; part no. 13100-141)
7	2	AC input module, 3 U, 8 HP; AC line filter, 110 ... 250 V <sub>AC</sub> , 50 ... 60 HZ, max. current 10 A
8	1	Hot-swap fan tray, extractable, 1 U, 3 x 12 V <sub>DC</sub> fans
9	1	Front panel front, 3 U, 8 HP
10	1	3 U, 8 HP module to accommodate a hard disk drive
11	1	Front panel front, 3 U, 24 HP
12	1	Air baffle, 3 U, 160 mm deep
13	1	Front panel, front, 3 U, 4 HP, removable, to expand system slot to 8 HP
14	1	Front panel, rear, 3 U, 4 HP
15	1	Front panel, rear, 3 U, 40 HP
16	1	Cable harness to connect all system components

### ORDER INFORMATION

Height U	Height mm	Width HP	Depth mm	Number of slots	Part no.
4	177	84	275	8	24579-260

#### Accessories

Air filter consisting of filter holder and filter mat, PU 1 set	<b>24579-033</b>
Equipment cables	<b>Page 3.38</b>
Front panels	<b>Page 7.5</b>
Modules to mount drive units	<b>Page 8.110</b>
Front panels with handle	<b>Page 7.32</b>
Fan control modules (FCM)	<b>Page 8.108</b>

#### Note

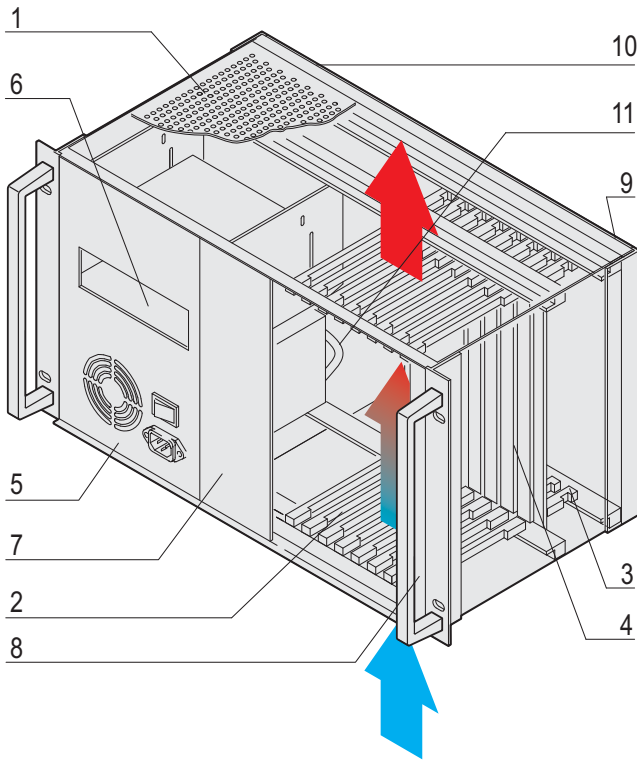
- Modified systems available on request
- System in accordance with IEC 60297-3-101, -102, -103; IEEE 1101.1, 1101.10/11; backplane in accordance with PICMG 2.0 rev. 3.0 and 2.30

# Systems – CompactPCI subrack systems

## 6 U, 8 SLOT, WITH REAR I/O



12302004



12303056

- System for vertical board mounting with board format
  - Front: 6 U, 160 mm deep
  - Rear, rear I/O: 6 U, 80 mm deep
- Backplane
  - 8 slot, 6 U, 64 bit; system slot to right
  - 8 HP wide CPU can be used
- ATX PSU, 300 W
- Heat dissipation by convection, from bottom to top
- Option to mount a 5.25" DVD drive unit

### DELIVERY COMPRISES (completely assembled, wired and tested)

Item	Qty	Description
1	1	Shielded 19" chassis, Al; perforated top cover and base plate; 2 front handles
2	8	Front slot; IEEE guide rails, incl. ESD clips (ESD clips fitted to bottom front), for vertical boards (6 U, 160 mm deep)
3	8	Rear slot; IEEE guide rails, incl. ESD clips (ESD clips fitted to bottom), for vertical rear I/O boards (6 U, 80 mm deep)
4	1	Backplane for 6 U boards; 8 slot, 64 bit (part no. <a href="#">23006-868</a> ); system slot on right, 4 HP (8 HP wide CPU can be used)
5	1	ATX power supply, 300 W, 32 HP, wide input range 100 ... 240 V <sub>AC</sub> (3.3 V/28 A, 5 V/35 A, 12 V/22 A, -12 V/0.8 A); IEC AC input module with socket; mains switch; fan
6	1	Module to accommodate a 5.25" DVD drive
7	1	Front panel, front, 6 U, 16 HP
8	1	Front panel, front, 6 U, 4 HP, removable, to expand system slot to 8 HP
9	1	Front panel, rear, 6 U, 4 HP
10	1	Front panel, rear, 6 U, 48 HP
11	1	Cable harness to connect all system components

### ORDER INFORMATION

Height	Height	Depth	Number of	Part no.
U	mm	mm	slots	
6	265.9	275	8	<b>24579-030</b>

### Accessories

DC fan 12 V, air flow volume 140 m <sup>3</sup> /h, 119 x 119 x 32 mm, 1 piece	<b>60713-600</b>
Fan retainer for 119 x 119 x 32 mm fan, (E)PB foam, 1 piece	<b>24579-212</b>
Fan tray, 1 U for 3 or 6 U CompactPCI systems (boards assembled vertically), 1 piece	<b>24579-105</b>
Air filter consisting of filter holder and filter mat, PU 1 set	<b>24579-033</b>
Equipment cables	<b>Page 3.38</b>
Front panels	<b>Page 7.5</b>
Modules to mount drive units	<b>Page 8.110</b>
Front panels with handle	<b>Page 7.32</b>
Fan control modules (FCM)	<b>Page 8.108</b>

### Note

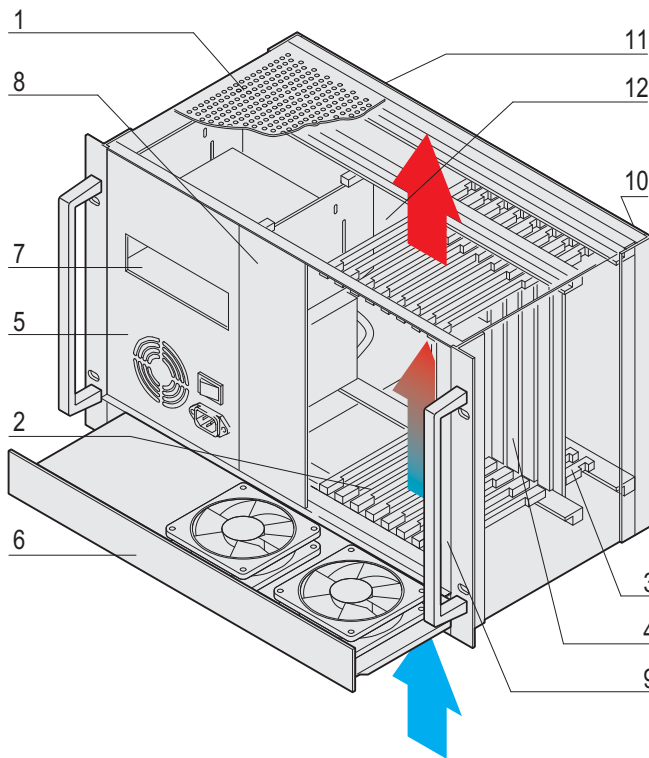
- Modified systems available on request
- System in accordance with IEC 60297-3-101, -102, -103; IEEE 1101.1, 1101.10/11; backplane in accordance with PICMG 2.0 rev. 3.0 and 2.30

# Systems – CompactPCI subrack systems

## SYSTEM, 7 U, 8 SLOT, WITH REAR I/O



12302013



12303057



- System for vertical board mounting with board format
  - Front: 6 U, 160 mm deep
  - Rear, rear I/O: 6 U, 80 mm deep
- Backplane
  - 8 slot, 6 U, 64 bit, system slot to right
  - 8 HP wide CPU can be used
- ATX PSU, 300 W
- Heat dissipation by 1 U hot-swap fan unit, from bottom to top
- Option to mount a 5.25" DVD drive unit

### DELIVERY COMPRISES (completely assembled, wired and tested)

Item	Qty	Description
1	1	Shielded 19" chassis, Al; perforated top cover and base plate; Front handles
2	8	Front slot; IEEE guide rails, incl. ESD clips (ESD clips fitted to bottom front), for vertical boards (6 U, 160 mm deep)
3	8	Rear slot; IEEE guide rails, incl. ESD clips (ESD clips fitted to bottom), for vertical rear I/O boards (6 U, 80 mm deep)
4	1	Backplane for 6 U boards; 8 slot, 64 bit (part no. <a href="#">23006-868</a> ; system slot on right, 4 HP (8 HP wide CPU can be used)
5	1	ATX power supply, 300 W, 32 HP, wide input range 100 ... 240 V <sub>AC</sub> (3.3 V/28 A, 5 V/35 A, 12 V/22 A, -12 V/0.8 A); IEC AC input module with socket; mains switch; fan
6	1	Hot-swap fan tray, extractable, 1 U, 2 x 12 V <sub>DC</sub> fans
7	1	Module to accommodate a 5.25" DVD drive
8	1	Front panel, front, 6 U, 16 HP
9	1	Front panel, front, 6 U, 4 HP, removable, to expand system slot to 8 HP
10	1	Front panel, rear, 6 U, 4 HP
11	1	Front panel, rear, 6 U, 48 HP
12	1	Cable harness to connect all system components

### ORDER INFORMATION

Height U	Height mm	Depth mm	Number of slots	Part no.
7	310.35	275	8	<b>24579-026</b>

### Accessories

Air filter consisting of filter holder and filter mat, PU 1 set	<b>24579-033</b>
Equipment cables	<b>Page 3.38</b>
Front panels	<b>Page 7.5</b>
Modules to mount drive units	<b>Page 8.110</b>
Front panels with handle	<b>Page 7.32</b>
Fan control modules (FCM)	<b>Page 8.108</b>

### Note

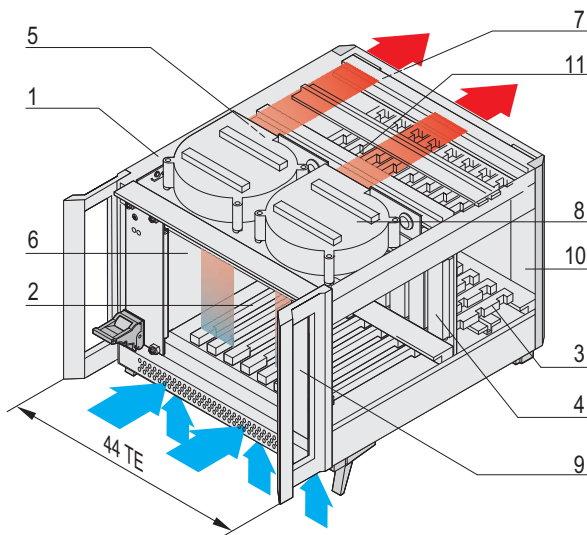
- Modified systems available on request
- System in accordance with IEC 60297-3-101, -102, -103; IEEE 1101.1, 1101.10/11; backplane in accordance with PICMG 2.0 rev. 3.0 and 2.30

# Systems – CompactPCI case systems

## SYSTEM, 4 U, 8 SLOT, 44 HP, WITH REAR I/O



12309003



12309052

- System for vertical board mounting with board format
  - Front: 3 U, 160 mm deep
  - Rear, rear I/O: 3 U, 80 mm deep
- Backplane
  - 8 slot, 3 U, 32 bit, system slot on right
  - 8 HP wide CPU can be used
- 19" PSU, 250 W, 3 U, 8 HP
- Heat dissipation by two radial fans, from front to rear

### DELIVERY COMPRISES (completely assembled, wired and tested)

Item	Qty	Description
1	1	ratiopacPRO-air case, RAL 9006, shielded, perforated air inlet/exhaust openings front and rear; front handles RAL 7016
2	8	Front slot; IEEE guide rails, incl. ESD clips (ESD clips fitted to bottom front), for vertical boards (3 U, 160 mm deep)
3	8	Rear slot; IEEE guide rails, incl. ESD clips (ESD clips fitted to bottom), for vertical rear I/O boards (3 U, 80 mm deep)
4	1	Backplane for 3 U boards; 8 slot, 32 bit (part no. <a href="#">23006-818</a> ); system slot on right, 4 HP (8 HP wide CPU can be used)
5	1	Power backplane, 3 U, 8 HP with 1 x P47 plug
6	1	19" compatible power supply, 250 W (3 U, 8 HP; Part no. <a href="#">13100-141</a> )
7	1	AC input module, 3 U, 8 HP; AC line filter, 110 ... 250 V <sub>AC</sub> , 50 ... 60 HZ, max. current 10 A
8	2	Radial fan, 36 m <sup>3</sup> /h each, free blowing
9	1	Front panel, front, 3 U, 4 HP, removable, to expand system slot to 8 HP
10	1	Front panel, rear, 3 U, 4 HP
11	1	Cable harness to connect all system components

### ORDER INFORMATION

Height U	Height mm	Width HP	Depth mm	Number of slots	Part no.
4	177	44	275	8	24579-604

### Accessories

Equipment cables	<b>Page 3.38</b>
Front panels	<b>Page 7.5</b>
Modules to mount drive units	<b>Page 8.110</b>
Front panels with handle	<b>Page 7.32</b>
Fan control modules (FCM)	<b>Page 8.108</b>

### Note

- Modified systems available on request
- System in accordance with IEC 60297-3-101, -102, -103; IEEE 1101.1, 1101.10/11); Backplane, conforms to PICMG 2.0 rev. 3.0



Open Modular  
Computing Specifications

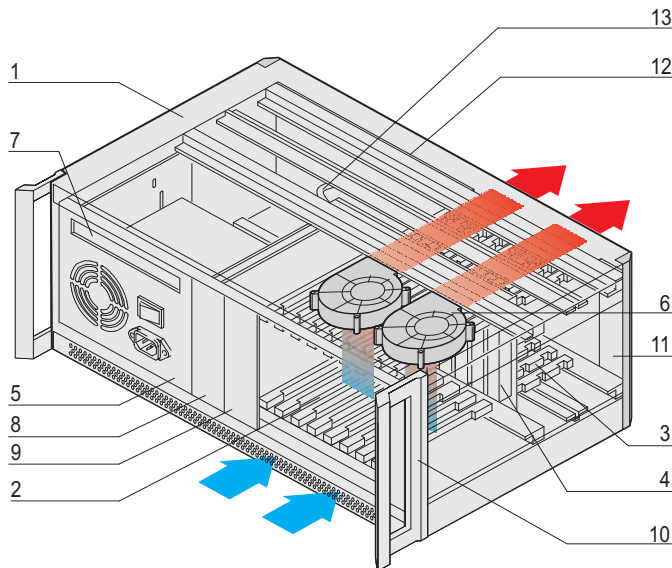


# Systems – CompactPCI case systems

## SYSTEM, 4 U, 8 SLOT, WITH REAR I/O



12304002



12304050

- System for vertical board mounting with board format
  - Front: 3 U, 160 mm deep
  - Rear, rear I/O: 3 U, 80 mm deep
- Backplane
  - 8 slot, 3 U, 32 bit, system slot to right
  - 8 HP wide CPU can be used
- ATX PSU, 300 W
- Heat dissipation by two radial fans, front to rear
- Option to mount a slimline DVD drive and hard disk

### DELIVERY COMPRISES (completely assembled, wired and tested)

Item	Qty	Description
1	1	ratiopacPRO-air case, RAL 9006, shielded, perforated air inlet/exhaust openings front and rear; front handles RAL 7016
2	8	Front slot; IEEE guide rails, incl. ESD clips (ESD clips fitted to bottom front), for vertical boards (3 U, 160 mm deep)
3	8	Rear slot; IEEE guide rails, incl. ESD clips (ESD clips fitted to bottom), for vertical rear I/O boards (3 U, 80 mm deep)
4	1	Backplane for 3 U boards; 8 slot, 32 bit (part no. <a href="#">23006-818</a> ); system slot on right, 4 HP (8 HP wide CPU can be used)
5	1	ATX power supply, 300 W, wide range input 100 ... 240 V <sub>AC</sub> , (3.3 V/28 A, 5 V/35 A, 12 V/22 A, -12 V/0.8 A); IEC AC input module with socket; mains switch; fan; 32 HP
6	2	Radial fan, 36 m <sup>3</sup> /h each, free blowing
7	1	Module to accommodate a slimline DVD drive unit
8	1	3 U, 8 HP module to accommodate a hard disk drive
9	1	Front panel, front, 3 U, 8 HP
10	1	Front panel, front, 3 U, 4 HP, removable, to expand system slot to 8 HP
11	1	Front panel, rear, 3 U, 4 HP
12	1	Front panel, rear, 3 U, 48 HP
13	1	Cable harness to connect all system components

### ORDER INFORMATION

Height U	Height mm	Depth mm	Number of slots	Part no.
4	177	275	8	<b>24579-602</b>

#### Accessories

Spare fan unit Air barrier with 2 fitted radial fans, 1 piece	24579-225
Equipment cables	<b>Page 3.38</b>
Front panels	<b>Page 7.5</b>
Modules to mount drive units	<b>Page 8.110</b>
Front panels with handle	<b>Page 7.32</b>
Fan control modules (FCM)	<b>Page 8.108</b>

#### Note

- Modified systems available on request
- System in accordance with IEC 60297-3-101, -102, -103; IEEE 1101.1, 1101.10/11); Backplane, conforms to PICMG 2.0 rev. 3.0

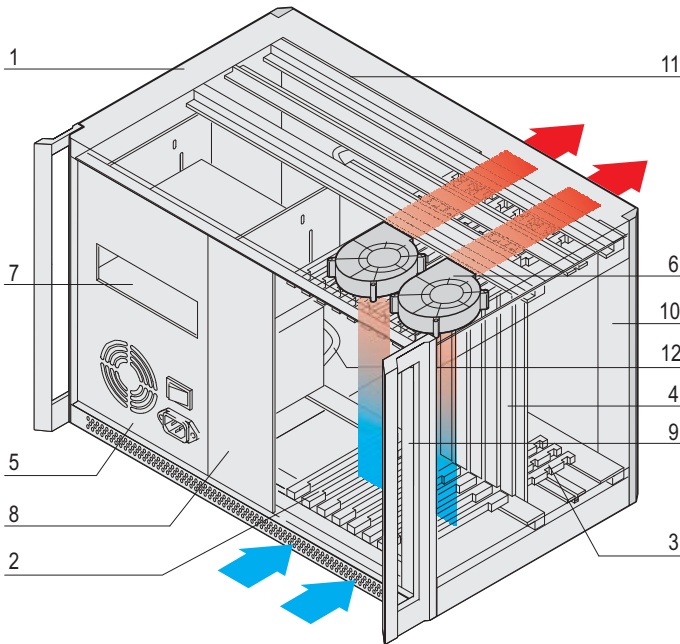


# Systems – CompactPCI case systems

## SYSTEMS, 7 U, 8 SLOT, WITH REAR I/O



12304003



12304051

- System for vertical board mounting with board format
  - Front: 6 U, 160 mm deep
  - Rear, rear I/O: 6 U, 80 mm deep
- Backplane
  - 8 slot, 6 U, 64 bit, system slot to right
  - 8 HP wide CPU can be used
- ATX PSU, 300 W
- Heat dissipation by two radial fans, from front to rear
- Option to mount a 5.25" DVD drive unit

### DELIVERY COMPRISES (completely assembled, wired and tested)

Item	Qty	Description
1	1	ratiopacPRO-air case, RAL 9006, shielded, perforated air inlet/exhaust openings front and rear; front handles RAL 7016
2	8	Front slot; IEEE guide rails, incl. ESD clips (ESD clips fitted to bottom front), for vertical boards (6 U, 160 mm deep)
3	8	Rear slot; IEEE guide rails, incl. ESD clips (ESD clips fitted to bottom), for vertical rear I/O boards (6 U, 80 mm deep)
4	1	Backplane for 6 U boards; 8 slot, 64 bit (part no. <a href="#">23006-868</a> ); system slot on right, 4 HP (8 HP wide CPU can be used)
5	1	ATX power supply, 300 W, wide input range 100 ... 240 V <sub>AC</sub> (3.3 V/28 A, 5 V/35 A, 12 V/22 A, -12 V/0.8 A); IEC-plug; mains switch; fan; 32 HP
6	2	Radial fan, 36 m <sup>3</sup> /h each, free blowing
7	1	Module to accommodate a 5.25" DVD drive
8	1	Front panel, front, 6 U, 16 HP, for fitting a hard disk drive
9	1	Front panel, front, 6 U, 4 HP, removable, to expand width of system slot to 8 HP
10	1	Front panel, rear, 6 U, 4 HP
11	1	Front panel, rear, 6 U, 48 HP
12	1	Cable harness to connect all system components

### ORDER INFORMATION

Height U	Height mm	Depth mm	Number of slots	Part no.
7	310.35	275	8	<b>24579-612</b>

### Accessories

Spare fan unit Air barrier with 2 fitted radial fans, 1 piece	24579-225
Equipment cables	<b>Page 3.38</b>
Front panels	<b>Page 7.5</b>
Modules to mount drive units	<b>Page 8.110</b>
Front panels with handle	<b>Page 7.32</b>
Fan control modules (FCM)	<b>Page 8.108</b>

### Note

- Modified systems available on request
- System in accordance with IEC 60297-3-101, -102, -103; IEEE 1101.1, 1101.10/11); Backplane, conforms to PICMG 2.0 rev. 3.0



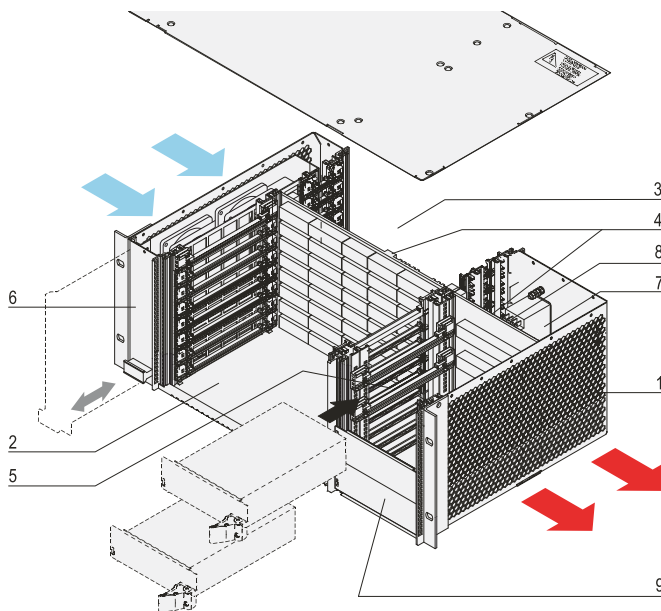
Open Modular  
Computing Specifications

# Systems – CompactPCI subrack systems,

## SYSTEM, 4 U, 8 SLOT, WITH REAR I/O, FOR TELECOMS APPLICATIONS



12306003



12305050



- System for horizontal board mounting with board format
  - Front: 6 U, 160 mm deep
  - Rear, rear I/O: 6 U, 80 mm deep
- Monolithic backplane for (signals and power) 64-bit CompactPCI; PSB (**P**ackage **S**witched **B**ackplane), PICMG 2.16; H.110
  - 8 slot, 6 U, 64 bit CompactPCI (2 fabric/switch slots, 6 node slots H.110), system slot to left
  - Integrated power backplane with 2 x P 47 connectors
- Prepared to accept two 19" CompactPCI PSUs 250 W (3 U, 8 HP)
- Heat dissipation by extractable hot-swap fan unit, from left to right

### DELIVERY COMPRISES (completely assembled, wired and tested)

Item	Qty	Description
1	1	Shielded 19" chassis, St, powder-coated, black, RAL 9005
2	8	Front slot; IEEE guide rails, incl. ESD clips (ESD clips fitted to front right), for horizontal board mounting (6 U, 160 mm deep)
3	8	Rear slot; IEEE guide rails, incl. ESD clips (ESD clips fitted to front right), for horizontal mounting of rear I/O boards (6 U, 80 mm deep)
4	1	Backplane for 6 U boards and voltage supply (2 x P 47 sockets); 64-bit CompactPCI; PSB, 2 fabric/switch slots; 6 node H.110 bus slots; part no. <u>23006-611</u>
5	-	Prepared to accommodate two 19" CompactPCI PSUs (250 W, 3 U, 8 HP), part no. <u>13100-141</u>
6	1	Hot-swap fan unit, 4 fans, each 109 m <sup>3</sup> /h (64 cfm)
7	1	AC input (IEC plug), mains filter module, fuse, mains switch
8	1	Cable harness to connect all system components
9	2	Front panel front, 3 U, 8 HP

### ORDER INFORMATION

Height	Height	Depth	Number of	Part no.
U	mm	mm	slots	
4	177	275	8	<b>24579-135</b>

### Accessories

19" compatible power supply, 250 W, 3 U, 8 HP Please order PSU separately, see page 9.24	<b>13100-141</b>
Fan tray for black systems, to ventilate rear I/O space 7 fans	24579-112
Equipment cables	<b>Page 3.38</b>
Front panels	<b>Page 7.5</b>
Modules to mount drive units	<b>Page 8.110</b>
Front panels with handle	<b>Page 7.32</b>
Fan control modules (FCM)	<b>Page 8.108</b>

### Note

- Modified systems available on request
- System in accordance with IEC 60297-3-101, -102, -103; IEEE 1101.1, 1101.10/11); Backplane, conforms to PICMG 2.16

# Systems – CompactPCI subrack systems,

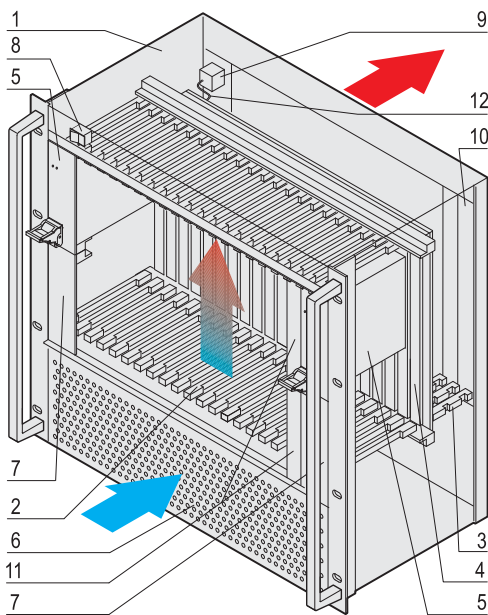
## SYSTEM, 10 U, 16 SLOT, WITH REAR I/O, FOR TELECOMS APPLICATIONS



- System for vertical board mounting with board format
  - Front: 6 U, 160 mm deep
  - Rear, rear I/O: 6 U, 80 mm deep
- Backplane, PSB (**p**ackage **s**witched **b**ackplane), PICMG 2.16
  - 16-slot, 6 U, 64 bit (2 fabric/switch slots, 14 node slots)
- Two 19" CompactPCI power supplies, 250 W (3 U, 8 HP), prepared for installation of two further 19" compatible PSUs
- Heat dissipation by fan module, from front to rear
- Prepared for system monitoring with a chassis monitoring module (CMM)

### DELIVERY COMPRISES (completely assembled, wired and tested)

Item	Qty	Description
1	1	Shielded 19" chassis, Al; perforated front panel to front and rear, 19" bracket in RAL 9006; remaining parts passivated in aluminium; front handles (RAL 9005)
2	16	Front slot; IEEE guide rails, incl. ESD clips (ESD clips fitted to bottom front), for vertical boards (6 U, 160 mm deep)
3	16	Rear slot; IEEE guide rails, incl. ESD clips (ESD clips fitted to front bottom), for vertical mounting of rear I/O boards (6 U, 80 mm deep)
4	1	PSB backplane for 6 U boards, 64 bit, 2 fabric/switch slots, 14 node slots, 2 CompactPCI segments, system slot left and right; part no. <a href="#">23006-610</a>
5	2	19" compatible power supply, 250 W (3 U, 8 HP); part no. <a href="#">13100-141</a>
6	1	Extractable fan unit with filter mat, 3 fans, 24 V <sub>DC</sub> , 270 m <sup>3</sup> /h (160 cfm)
7	2	Front panel, front, 3 U, 8 HP, space for two further power supplies
8	1	DC switch on front
9	1	AC input (IEC connector), mains filter module, fuse, 6 U, 8 HP
10	1	Front panel, rear, 6 U, 8 HP
11	2	Front panel, front, 3 U, 4 HP, cover for optional CMM module space
12	1	Cable harness to connect all system components



12302005

12303058

### ORDER INFORMATION

Height U	Height mm	Depth mm	Number of slots	Part no.
10	443.7	275	16	<b>24579-028</b>

### Accessories

19" compatible power supply, 250 W, 3 U, 8 HP Please order PSU separately, see page 9.24	<b>13100-141</b>
Chassis monitoring module (CMM) 3 U, 4 HP, 160 mm deep, 1 piece Please order PSU separately, see page 8.109	23207-022
Equipment cables	<b>Page 3.38</b>
Front panels	<b>Page 7.5</b>
Modules to mount drive units	<b>Page 8.110</b>
Front panels with handle	<b>Page 7.32</b>
Fan control modules (FCM)	<b>Page 8.108</b>

### Note

- Modified systems available on request
- System in accordance with IEC 60297-3-101, -102, -103; IEEE 1101.1, 1101.10/11); Backplane, conforms to PICMG 2.16

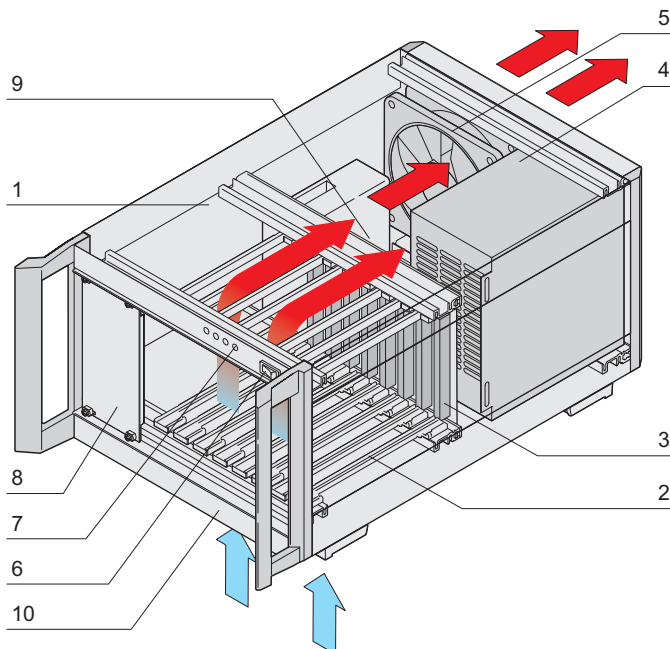


# Systems – PXI case system

## PXI SYSTEM, 4 U, 8 SLOT, 44 HP



12307002



12307050

- PXI desktop chassis, 4 U, 44 HP
- PXI backplane, 8 slot, 3 HE, 64 bit, system slot left
- Heat dissipation to rear from below
- ATX power supply 400 W, wide-range AC input with power switch on the back of the device
- Backplane with clock switching internal / external

### DELIVERY INCLUDES (completely assembled, wired and tested)

Item	Qty	Description
1	1	ratiopacPRO-air case, RAL 9006, with 19" mounting brackets and handles RAL 7016, 4 U, 44 HP; shielded; perforated base plate; tip-up feet
2	8	Front slots, with 2 IEEE guide rails each, incl. ESD clips (ESD clips assembled at bottom front), for vertical boards (3 U, 160 mm deep)
3	1	Backplane for 3 U boards; 8 slot, 64 bit (part no. 23006-578); System slot on the left
4	1	Power supply, ATX (PS2), 400 W, wide range input 100 ... 240 V <sub>AC</sub> ; Output 3.3 V/28 A, 5 V/40 A, 12 V/12 A, -12 V/ 1 A; IEC AC input module with socket; AC mains switch; Fan
5	1	Fan, 170 m <sup>3</sup> /h (100 cfm) assembled on rear panel
6	1	Mains switch, DC, front
7	1	Voltage display
8	1	Front panel, 10 U
9	1	Cable harness to connect all system components
10	1	Filter mat and holder

### ORDER INFORMATION

Height	Width	Depth	Number of	Qty/PU	Part no.
U	HP	mm	slots	piece	
4	44	355	8	1	<b>14579-008</b>

### NOTE

- System in accordance with IEC 60297-3-101, -102, -103; IEEE 1101.1, 1101.10/11); backplane conforms to PICMG rev. 3.0 and PXI 2.0
- Modified systems available on request

# Systems – PXI-Express case system

## PXI-EXPRESS SYSTEM, 4 U, 8 SLOT, 44 HP



12306001



12318002

Rear view

- PXI Express desktop chassis, 4 U, 44 HP
- 1 PXIe System slot and 7 Hybrid slots
- Ultra-high performance Gen 3 PCIe switching with a default four-link (4x4) system slot
- Powerful cooling concept with low fan noise, 50 W per slot @ 15K temperature increase
- Heat dissipation to rear from below with temperature controlled fans
- Wide range AC input with mains switch on the rear side, power push bottom on the front
- Rear panel external 10 MHz clock inputs/outputs

### DELIVERY INCLUDES (completely assembled, wired and tested)

Item	Qty	Description
1	1	RatiopacPRO chassis with handles; 4 U, 44 HP, 315 mm deep; shielded; tip-up feet
2	8	Front slot; IEEE guide rails, incl. ESD clips (ESD clips assembled at bottom front), for vertical boards (3 U, 160 mm deep)
3	1	PXIe Backplane for 3 U boards; 8 slot; system slot on the left
4	1	PCIe 24 Lane Switch Module, PCIe Gen 3, mounted on backplane backside
5	1	PCIe-PCI Bridge Module, PCIe x1 to 32-bit 33 MHz, mounted on backplane backside
6	1	PXI Express Clock Module, PXI-1 & PXI-5 CLKs, mounted on backplane backside
7	1	Power supply 400 W; wide range input 100 ... 240 V <sub>AC</sub> ; output: 3.3 V/ 25 A, 5 V/25 A, 12 V/15 A, -12 V/2 A; 5 V aux/1 A
8	2	80 mm fans with 258 m <sup>3</sup> /h (152.3 cfm) each
9	1	Fan Control module, FCM2
10	1	Mains inlet connector with switch, filter and fuse
11	1	Power push button
12	1	External 10 MHz REF clock output via BNC connector
13	1	Optional 10 MHz REF clock source via BNC connector
14	1	Cable harness to connect all system components

### ORDER INFORMATION

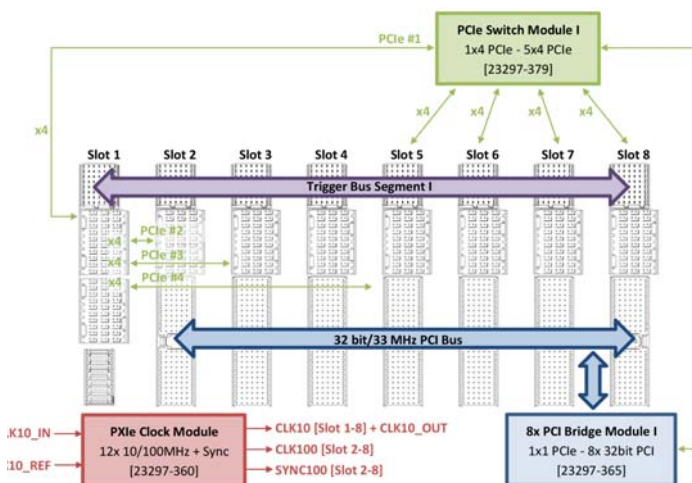
Height	Width	Depth	Number of	Qty/PU	Part no.
U	HP	mm	slots	piece	
4	44	315	8	1	<b>14579-030</b>

### TECHNICAL DATA

Ambient temperature [°C]	0 °C ... 50 °C
Input voltage range [V <sub>AC</sub> ]	100 ... 240 V <sub>AC</sub> at 50/60 Hz
Sound pressure level [dB(A)]	21 dBA (auto fan at 25 °C), 48 dBA (max fan speed)

### NOTE

- System in accordance with IEC 60297-3-101, -102, -103; IEEE 1101.1, 1101.10/11); backplane conforms to PICMG rev. 3.0 and PXI-5
- Modified systems available on request



12318050

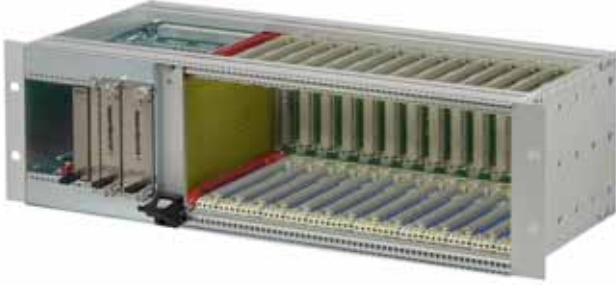
Backplane topology

# Systems – PXI-Express case system

# Systems – ServicePLUS

## APPLICATION EXAMPLES

---



- Hybrid system, modification of a MicroTCA single-module board cage into a 3 U chassis to DIN EN 60297 <sup>12908007</sup>



- MicroTCA system, 1 U for 6 single mid-size AMC modules; power supply, increased air inlet and exhaust area with inwardly curved side panels <sup>12908005</sup>



- MicroTCA chassis with hot-swap fan unit and power supply <sup>12909001</sup>



- CompactPCI chassis with hot-swap fan unit and custom finishing <sup>12309002</sup>



- CompactPCI chassis with 48 V<sub>DC</sub> power supply <sup>12309001</sup>



- 2 slot, 2 U AdvancedTCA chassis with custom colour <sup>12709003</sup>



# Systems – ServicePLUS