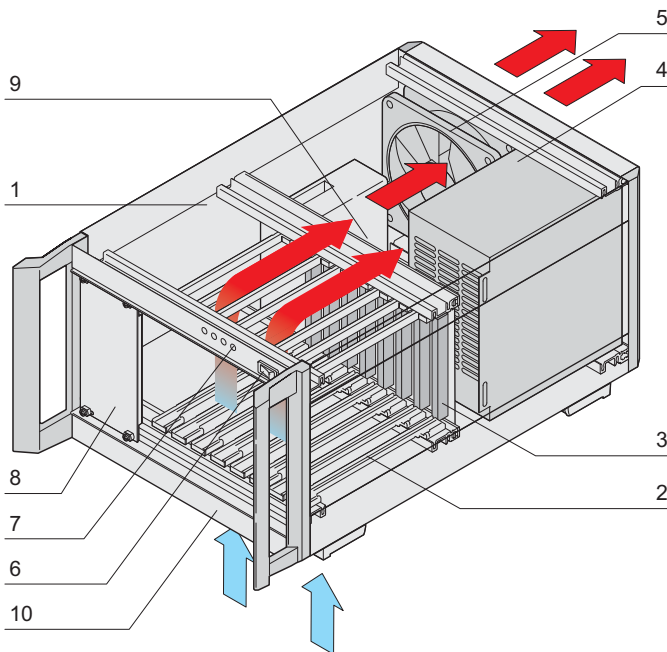




12307002



12307050

- PXI desktop chassis, 4 U, 44 HP
- PXI backplane, 8 slot, 3 HE, 64 bit, system slot left
- Heat dissipation to rear from below
- ATX power supply 400 W, wide-range AC input with power switch on the back of the device
- Backplane with clock switching internal / external

DELIVERY INCLUDES (completely assembled, wired and tested)

Item	Qty	Description
1	1	ratiopacPRO-air case, RAL 9006, with 19" mounting brackets and handles RAL 7016, 4 U, 44 HP; shielded; perforated base plate; tip-up feet
2	8	Front slots, with 2 IEEE guide rails each, incl. ESD clips (ESD clips assembled at bottom front), for vertical boards (3 U, 160 mm deep)
3	1	Backplane for 3 U boards; 8 slot, 64 bit (part no. 23006-578); System slot on the left
4	1	Power supply, ATX (PS2), 400 W, wide range input 100 ... 240 V _{AC} ; Output 3.3 V/28 A, 5 V/40 A, 12 V/12 A, -12 V/ 1 A; IEC AC input module with socket; AC mains switch; Fan
5	1	Fan, 170 m ³ /h (100 cfm) assembled on rear panel
6	1	Mains switch, DC, front
7	1	Voltage display
8	1	Front panel, 10 U
9	1	Cable harness to connect all system components
10	1	Filter mat and holder

ORDER INFORMATION

Height	Width	Depth	Number of	Qty/PU	Part no.
U	HP	mm	slots	piece	
4	44	355	8	1	14579-008

NOTE

- System in accordance with IEC 60297-3-101, -102, -103; IEEE 1101.1, 1101.10/11); backplane conforms to PICMG rev. 3.0 and PXI 2.0
- Modified systems available on request

Systems – PXI-Express case system

PXI-EXPRESS SYSTEM, 4 U, 8 SLOT, 44 HP



12306001



12318002

Rear view

- PXI Express desktop chassis, 4 U, 44 HP
- 1 PXIe System slot and 7 Hybrid slots
- Ultra-high performance Gen 3 PCIe switching with a default four-link (4x4) system slot
- Powerful cooling concept with low fan noise, 50 W per slot @ 15K temperature increase
- Heat dissipation to rear from below with temperature controlled fans
- Wide range AC input with mains switch on the rear side, power push bottom on the front
- Rear panel external 10 MHz clock inputs/outputs

DELIVERY INCLUDES (completely assembled, wired and tested)

Item	Qty	Description
1	1	RatiopacPRO chassis with handles; 4 U, 44 HP, 315 mm deep; shielded; tip-up feet
2	8	Front slot; IEEE guide rails, incl. ESD clips (ESD clips assembled at bottom front), for vertical boards (3 U, 160 mm deep)
3	1	PXIe Backplane for 3 U boards; 8 slot; system slot on the left
4	1	PCIe 24 Lane Switch Module, PCIe Gen 3, mounted on backplane backside
5	1	PCIe-PCI Bridge Module, PCIe x1 to 32-bit 33 MHz, mounted on backplane backside
6	1	PXI Express Clock Module, PXI-1 & PXI-5 CLKs, mounted on backplane backside
7	1	Power supply 400 W; wide range input 100 ... 240 V _{AC} ; output: 3.3 V/ 25 A, 5 V/25 A, 12 V/15 A, -12 V/2 A; 5 V aux/1 A
8	2	80 mm fans with 258 m ³ /h (152.3 cfm) each
9	1	Fan Control module, FCM2
10	1	Mains inlet connector with switch, filter and fuse
11	1	Power push button
12	1	External 10 MHz REF clock output via BNC connector
13	1	Optional 10 MHz REF clock source via BNC connector
14	1	Cable harness to connect all system components

ORDER INFORMATION

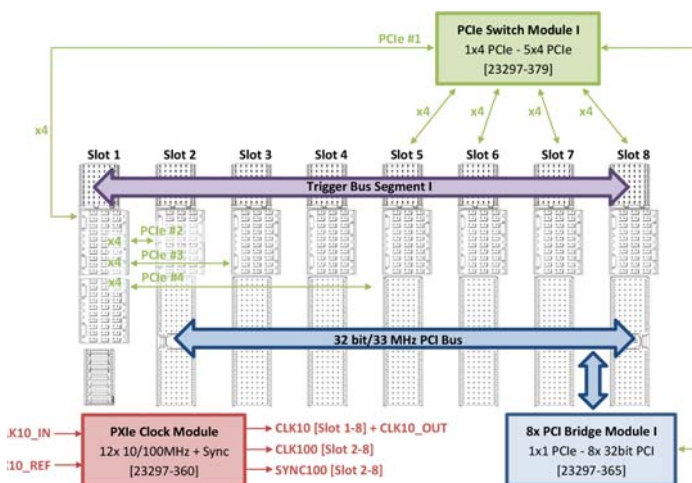
Height	Width	Depth	Number of	Qty/PU	Part no.
U	HP	mm	slots	piece	
4	44	315	8	1	14579-030

TECHNICAL DATA

Ambient temperature [°C]	0 °C ... 50 °C
Input voltage range [V _{AC}]	100 ... 240 V _{AC} at 50/60 Hz
Sound pressure level [dB(A)]	21 dBA (auto fan at 25 °C), 48 dBA (max fan speed)

NOTE

- System in accordance with IEC 60297-3-101, -102, -103; IEEE 1101.1, 1101.10/11); backplane conforms to PICMG rev. 3.0 and PXI-5
- Modified systems available on request



12318050

Backplane topology