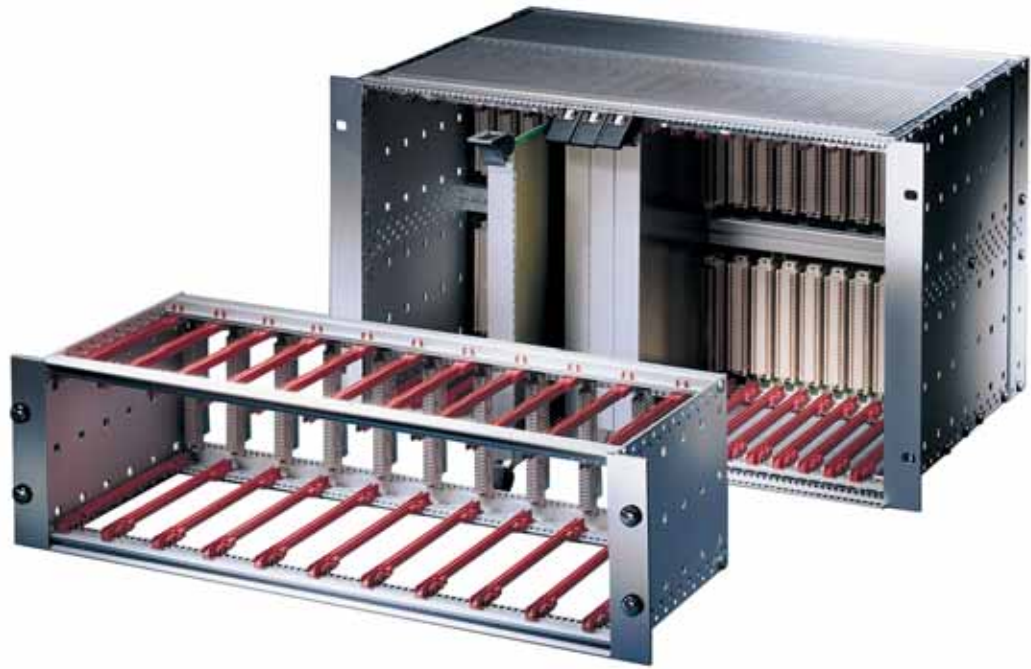


OVERVIEW

MAIN KATALOG

- Cabinets 1
- Wall mounted cases 2
- Accessories for cabinets and wall mounted cases . . 3
- Climate control . . 4
- Electronics cases 5
- Subracks/ 19" chassis 6
- Front panels, plug-in units 7
- Systems 8
- Power supply units 9
- Backplanes 10
- Connectors, front panel component system 11
- Appendix 12



06197001



06112014

Different horizontal rails for various applications



04602002

The IEEE handles and shielded front panels are designed for the construction of CompactPCI and VME64x subrack systems



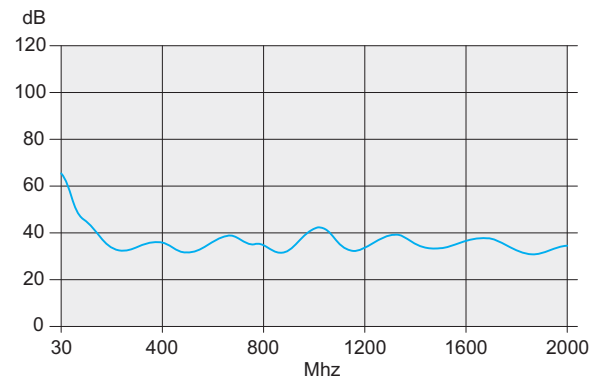
06

Sequential numbering on horizontal rails (> 28 HP) and markings on the guide rails provide quick optical positioning aids. ESD clips can be used at front or rear, to protect electronics from electrostatic discharge

STANDARDS/CERTIFICATIONS

- Inner and outer dimensions meet:
IEC 60297-3-100, -101, -102, -103, -104, -105
IEEE 1101.1 and IEEE 1101.10/11
- Type of protection IP 20 to IEC 60529
- EMC testing to IEC 61587-3
- Shock and vibration test reports:
German "Bahn" standards BN 411002, BN 411003;
NF F 60002, NF F 67012
IEC 61587-2, EN 50155
- Nuclear plants KTA 1401

EMC CURVE



06108081

Subracks – EuropacPRO

OVERVIEW

19" SUBRACKS

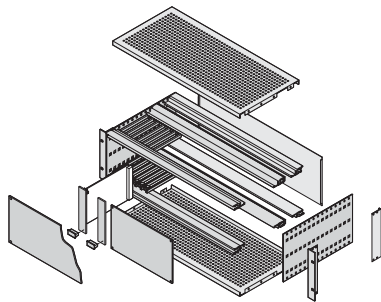
- Kits or individual configuration
- One product and accessories platform for every kind of customer requirement and application
- Suitable for CompactPCI and VME64x insertion and extractor handles
- EMC shielding can easily be retrofitted if needed
- Shock and vibration resistant up to 5 g
- 3D PDF or CAD 3D data available for download



06102008

KITS

- All required parts available under one order number, some pre-fitted
- Most popular dimensions and versions available from stock
- For installed loads up to 7.5 kg, up to 11 kg and up to 15 kg
- As unshielded or shielded version
- Supplied as space-saving flat-pack



06105058

SERVICEPLUS INDIVIDUAL CONFIGURATION

- Single parts may individually be configured, respectively assembled on request (from quantity 1)
- Very wide range of variants in height, width and depth
- Guide rails for different applications
- EMC shielding material to improve EMC performance
- Interior assembly options with mounting plate or combined mounting (3 + 6 U segments)
- Other accessories and assembly kits

SERVICEPLUS

- e.g. individual configuration and assembly
- e.g. modification (cut-outs)
- e.g. downloads (CAD drawings, user manuals, test reports)
- e.g. custom solutions

Overview 6.6

Introduction. 6.4

Kits

Light 6.8
 Flexible 6.9
 Heavy 6.14
 CompactPCI. 6.16

ServicePLUS configuration

Side panels 6.21
 Horizontal rails, threaded inserts, perforated strips 6.29
 Guide rails 6.37
 Cover plates 6.44
 EMC shielding 6.54
 Interior assemblies. 6.59
 Assembly kits 6.65

Application examples 6.71

Subracks for mobile railway applications 6.70

europacPRO for industrial applications 6.86

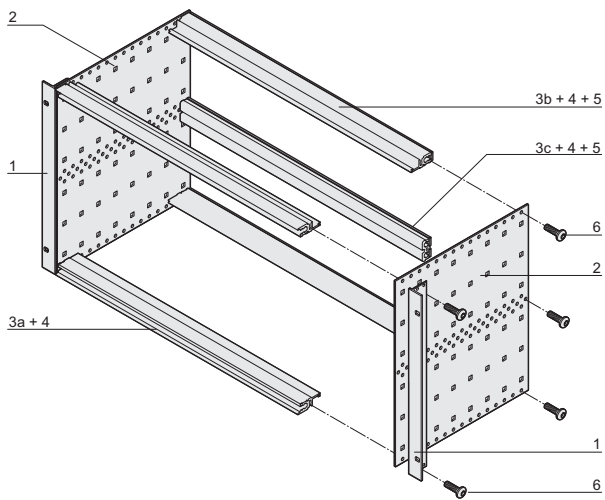
europacPRO for rugged applications 6.92

Subracks – EuropacPRO

KIT, "FLEXIBLE", UNSHIELDED, FOR BACKPLANE MOUNTING

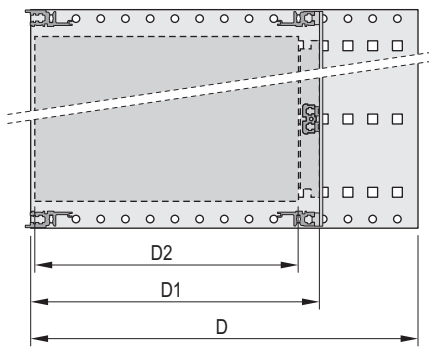


06102007



6 U

06102081



06108051

D = overall depth, D1 = insertion depth,
D2 = board depth = D1 - 15 mm



04400001

Rear horizontal rail for backplane mounting with insulation strip

- Subrack with side panel type F ("flexible"), 19" bracket is depth-adjustable
- Rear horizontal rail for backplane mounting with insulation strip
- Installed load up to 11 kg

DELIVERY COMPRISES (kit)

Item	Qty		Description
	3 U	6 U	
1	2	2	19" support bracket, Al extrusion, for EMC stainless steel gasket
2	2	2	Side panel type F, Al, 2 mm
3a	2	2	Front horizontal rail (L-KD)
3b	2	2	Rear horizontal rail (L-ST) for backplane mounting
3c	-	1	Rear horizontal rail centre (ST)
4	4	6	Threaded insert, front and rear (pre-fitted)
5	2	4	Insulation strip (pre-fitted)
6	1	1	Fixing material kit, user manual

ORDER INFORMATION

Height U	Width HP	Depth D mm	Depth D1 mm	Part no.
3	84	175	175	24563-131
3	84	235	175/235	24563-132
3	84	295	175/235/295	24563-133
3	84	355	175/235/295/355	24563-134
3	84	415	175/235/295/355	24563-135
3	84	475	175/235/295/355	24563-136
6	84	175	175	24563-431
6	84	235	175/235	24563-432
6	84	295	175/235/295	24563-433
6	84	355	175/235/295/355	24563-434
6	84	415	175/235/295/355	24563-435
6	84	475	175/235/295/355	24563-436

Accessories

19" assembly kit (screw, washer, nut)
(8 x screws, 8 x plastic washers, 8 x cage nuts) **21100-435**

Guide rails (standard), ESD clips

Depth D2 mm	Qty/PU piece	Part no.
160	10	24560-351
220	10	24560-353
280	10	24560-379
340	10	24560-380

ESD clip for guide rails PU 50 pieces **24560-255**

Cover plates for insertion in horizontal rails (type L)

Depth D2 mm	Width HP	Qty/PU piece	Part no.
160	84	2	24561-051
220	84	2	24561-052