

**OVERVIEW**

**MAIN KATALOG**

Cabinets . . . . . 1

Wall mounted cases . . . . . 2

Accessories for cabinets and wall mounted cases . . 3

Climate control . . 4

Electronics cases . . . . . 5

Subracks/ 19" chassis . . . . . 6

Front panels, plug-in units . . . . . 7

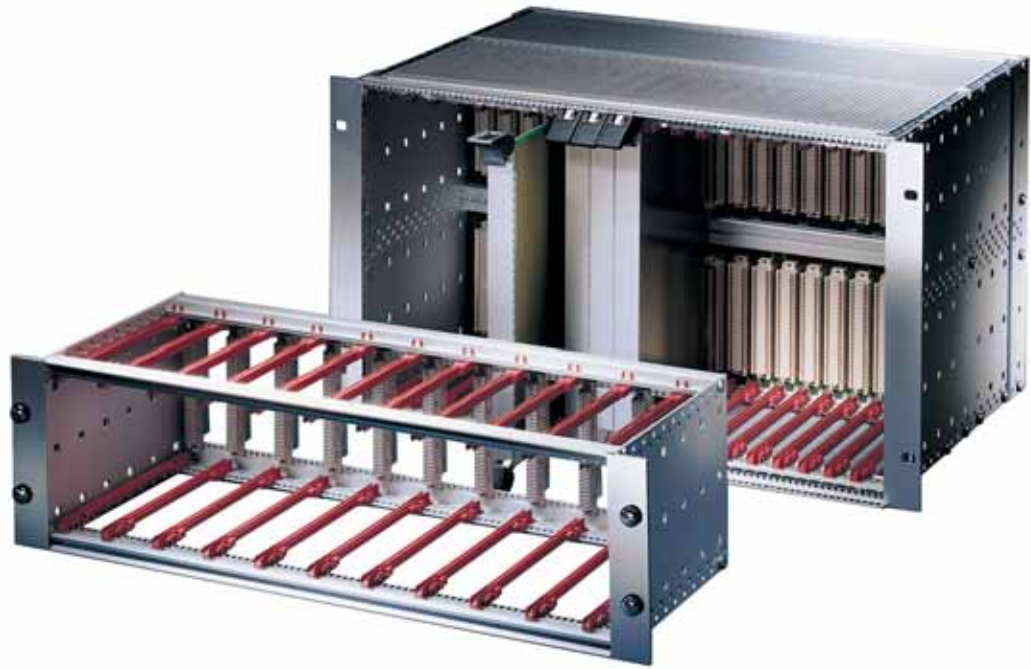
Systems . . . . . 8

Power supply units . . . . . 9

Backplanes . . . . . 10

Connectors, front panel component system . . . . . 11

Appendix . . . . . 12



06112014  
Different horizontal rails for various applications



04602002  
The IEEE handles and shielded front panels are designed for the construction of CompactPCI and VME64x subrack systems

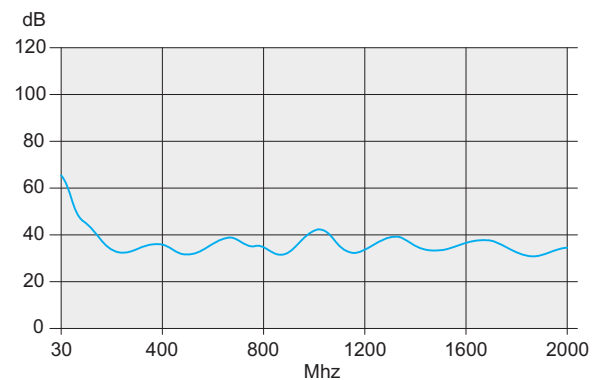


06197001  
Sequential numbering on horizontal rails (> 28 HP) and markings on the guide rails provide quick optical positioning aids. ESD clips can be used at front or rear, to protect electronics from electrostatic discharge

**STANDARDS/CERTIFICATIONS**

- Inner and outer dimensions meet:  
IEC 60297-3-100, -101, -102, -103, -104, -105  
IEEE 1101.1 and IEEE 1101.10/11
- Type of protection IP 20 to IEC 60529
- EMC testing to IEC 61587-3
- Shock and vibration test reports:  
German "Bahn" standards BN 411002, BN 411003;  
NF F 60002, NF F 67012  
IEC 61587-2, EN 50155
- Nuclear plants KTA 1401

**EMC CURVE**



06108081

# Subracks – EuropacPRO

## OVERVIEW

### 19" SUBRACKS

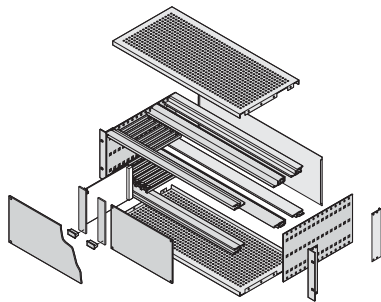
- Kits or individual configuration
- One product and accessories platform for every kind of customer requirement and application
- Suitable for CompactPCI and VME64x insertion and extractor handles
- EMC shielding can easily be retrofitted if needed
- Shock and vibration resistant up to 5 g
- 3D PDF or CAD 3D data available for download



06102008

#### KITS

- All required parts available under one order number, some pre-fitted
- Most popular dimensions and versions available from stock
- For installed loads up to 7.5 kg, up to 11 kg and up to 15 kg
- As unshielded or shielded version
- Supplied as space-saving flat-pack



06105058

#### SERVICEPLUS INDIVIDUAL CONFIGURATION

- Single parts may individually be configured, respectively assembled on request (from quantity 1)
- Very wide range of variants in height, width and depth
- Guide rails for different applications
- EMC shielding material to improve EMC performance
- Interior assembly options with mounting plate or combined mounting (3 + 6 U segments)
- Other accessories and assembly kits

#### SERVICEPLUS

- e.g. individual configuration and assembly
- e.g. modification (cut-outs)
- e.g. downloads (CAD drawings, user manuals, test reports)
- e.g. custom solutions

Overview . . . . . 6.6

Introduction. . . . . 6.4

#### Kits

Light . . . . . 6.8  
 Flexible . . . . . 6.9  
 Heavy . . . . . 6.14  
 CompactPCI. . . . . 6.16

#### ServicePLUS configuration

Side panels . . . . . 6.21  
 Horizontal rails, threaded inserts, perforated strips . . . . . 6.29  
 Guide rails . . . . . 6.37  
 Cover plates . . . . . 6.44  
 EMC shielding . . . . . 6.54  
 Interior assemblies. . . . . 6.59  
 Assembly kits . . . . . 6.65

Application examples . . . . . 6.71

Subracks for mobile railway applications . . . . . 6.70

europacPRO for industrial applications . . . . . 6.86

europacPRO for rugged applications . . . . . 6.92

# Subracks – EuropacPRO

## KIT, "FLEXIBLE", UNSHIELDED, FOR CONNECTOR MOUNTING



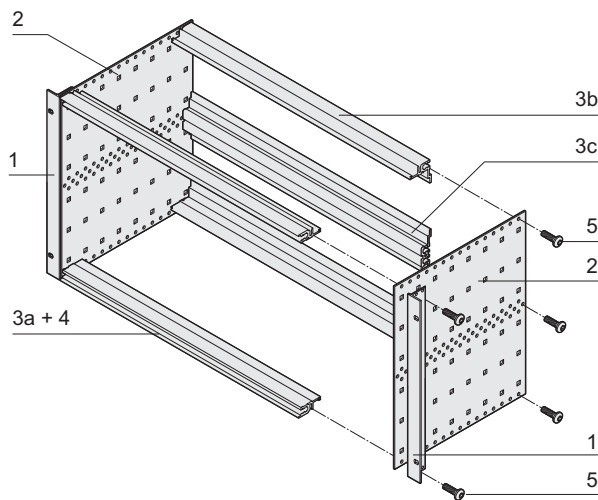
Photo: 3 U subrack

06105001

- Subrack with side panel type F ("flexible"), 19" bracket is depth-adjustable
- Rear horizontal rails for connector mounting (IEC 60603-2 / DIN 41612)
- Installed load up to 11 kg

**DELIVERY COMPRISES (kit)**

Item	Qty		Description
	3 U	6 U	
1	2	2	19" support bracket, Al extrusion, for EMC gasket (St, stainless)
2	2	2	Side panel type F, Al, 2 mm
3a	2	2	Front horizontal rail (L-KD)
3b	2	2	Rear horizontal rail (L-MZ) for connector mounting
3c	-	1	Centre horizontal rail (MZ)
4	2	2	Threaded insert to front (pre-fitted)
5	1	1	Fixing material kit, user manual



6 U

06105054

**ORDER INFORMATION**

Height U	Width HP	Depth D mm	Depth D1 mm	Part no.
3	84	175	175	<b>24563-191</b>
3	84	235	175/235	<b>24563-192</b>
3	84	295	175/235/295	<b>24563-193</b>
3	84	355	175/235/295/355	<b>24563-194</b>
6	84	175	175	<b>24563-491</b>
6	84	235	175/235	<b>24563-492</b>
6	84	295	175/235/295	<b>24563-493</b>
6	84	355	175/235/295/340	<b>24563-494</b>

**Accessories**

19" assembly kit (screw, washer, nut) (8 x screws, 8 x plastic washers, 8 x cage nuts)	<b>21100-435</b>
---	------------------

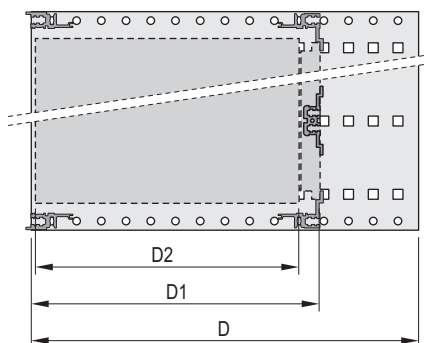
**Guide rails (standard), ESD clips**

Depth D2 mm	Qty/PU piece	Part no.
160	10	<b>24560-351</b>
220	10	<b>24560-353</b>
280	10	<b>24560-379</b>
340	10	<b>24560-380</b>

ESD clip for guide rails PU 50 pieces

**24560-255**
**Cover plates for insertion in horizontal rails (type L)**

Depth D2 mm	Width HP	Qty/PU piece	Part no.
160	84	2	<b>24561-051</b>
220	84	2	<b>24561-052</b>



D = overall depth, D1 = insertion depth,  
D2 = board depth = D1 - 15 mm

06108050



04400003

Horizontal rail to rear for connector mounting