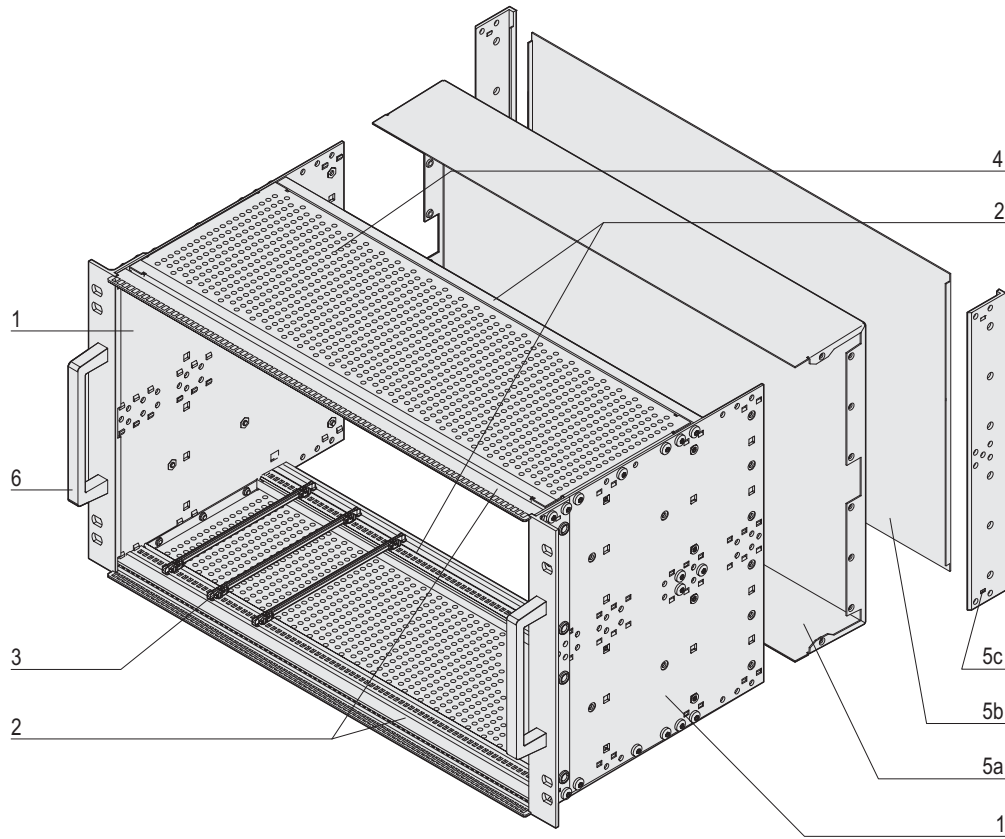


Subracks – EuropacPRO

OVERVIEW OF INDIVIDUAL COMPONENTS FOR SHIELDED OR UNSHIELDED SUBRACKS

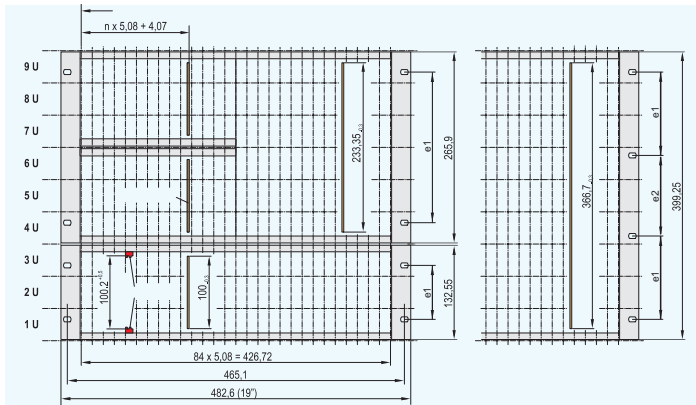


06108086

Item	Description	Description	page
Item 1	Side panel	Establishes the height and depth of the subrack; Al, 2 mm, with universal hole positions for assembly of accessories. Three versions: The "flexible" one with separate 19" brackets as well as two others with integrated 19" brackets for "light" and "heavy" applications.	6.21
Item 2	Horizontal rail	Establishes the width of the subrack; Al extrusion, with defined hole positions for guide rails, grooves for threaded inserts, M4 thread, functional rail shapes, basically differing with regard to their mechanical loading capacity: "light" (load up to 7.5 kg) and "heavy" (load > 7.5 kg).	6.29
Item 3	Guide rails	Act as interface between subracks and boards, for different board formats, are available in plastic or metal, optionally codable and can be fitted with ESD clips to allow electrostatic discharge, also optionally.	6.37
Item 4	Cover plates	Provide mechanical protection and/or EMC shielding and are perforated.	6.44
Item 5	Rear/front	Rear hood (5a) or front panel (5b) with corner profile (5c) act as support for EMC shielding gaskets used in conjunction with shielded front panels. Note: Rear hood and corner profile cannot be fitted simultaneously.	6.49
Item 6	Handles	Can be mounted on the 19" brackets.	6.27
-	EMC shielding (without illustration)	Extensive component range for specific shielding of subracks with respect to their application.	6.54
-	Interior assemblies (without illustration)	Universal assemblies, e.g. for horizontal and vertical assembly and for mounting plates.	6.59

Subracks – EuropacPRO

SUBRACK DIMENSIONS



- Dimensions in accordance with international standards EC 60297-3-100, IEEE 1101.1/.10/.11; please see the SCHROFF Standards Summary for details
- Side panels
 - Aluminium, 2 mm
 - Round holes for mounting horizontal rails (depth grid 15 mm)
 - Impressions on the inner side of the side panel act as an anti-rotation guard and positioning aid for the horizontal rails
 - Square holes (6 x 6 mm) provide universal fixing for components such as backplane shielding; version without square holes available on request



06197003

Depth grid

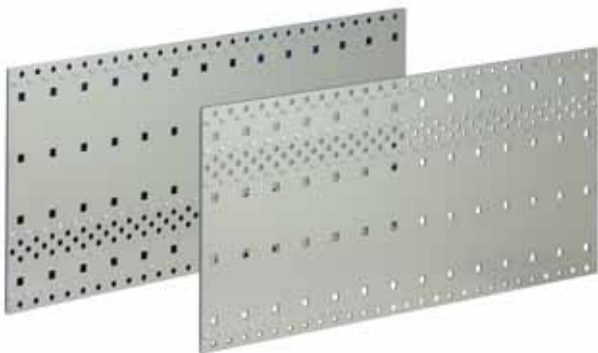
The depth grid is 15 mm, the mounting holes in the side panel are decisive for the configurability of individual components; thus any combination of various individual parts is possible



06108008

Side panel 3 U, 6 U and 9 U

3 and 6 U panels have the same hole positions (the 6 U is a doubling vertically of the 3 U); thus subdivisions can be made in the vertical dimension (6 U: 2 x 3 U; 9 U: 3 x 3 U)



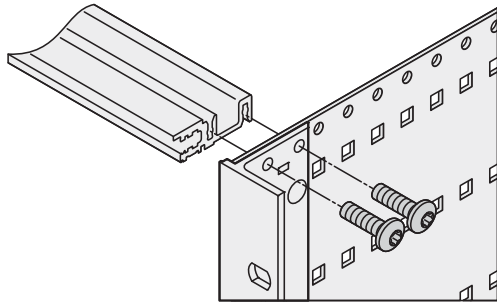
06108011

Side panel 4 U

4 U side panels have the same hole positions as 3 U and additionally 1 U (above or beneath the 3 U installation); this height allows the construction of a 3 U unit with 1 U clearance for cabling or airflow

Subracks – EuropacPRO

SIDE PANELS



Side panel - horizontal rail assembly

- Aluminium
- Round holes for mounting horizontal rails (depth grid 15 mm)
- Impressions on the inner side of the side panel act as an anti-rotation guard and positioning aid for the horizontal rails
- Square holes (6 x 6 mm) provide universal fixing for components such as backplane shielding; version without square holes available on request
- Only one type of screw driver is needed for the assembly (torx panhead screw, M4 x 14; torque side panel - horizontal rail 2.4 Nm; torque side panel - cover plate 1.3 Nm)
- 4 versions of the side panel:
 - Type F = flexible
 - Type H = heavy
 - Type L = light
 - Type R = rugged

06108062

NOTE

- Type R - rugged side panels see "Rugged Subracks" section, page 6.97



Type F (flexible)

- Universal version: 19" bracket (please order separately) can be fitted variably to front, rear or depth-offset
- Heights: 3, 4, 6 and 9 U
Depths: 175, 235, 275, 277.75, 295, 355, 415 and 475 mm;
Other dimensions on request
- 2 EMC shielding concepts for the front/rear:
stainless steel or textile EMC gasket
- Installed load up to 11 kg

06197003



Type H (heavy)

- 19" bracket is tox-cold welded to side panel; particularly designed for mechanically demanding environments (vibration resistance, applications requiring high levels of shock and vibration, e.g. IEC 61587-2)
- Heights: 3 and 6 U
Depths: 175, 235, 295 and 355 mm
Other dimensions on request
- 2 EMC shielding concepts for the front/rear:
with stainless steel or textile EMC gasket
- Installed load up to 15 kg

06197004



Type L (light)

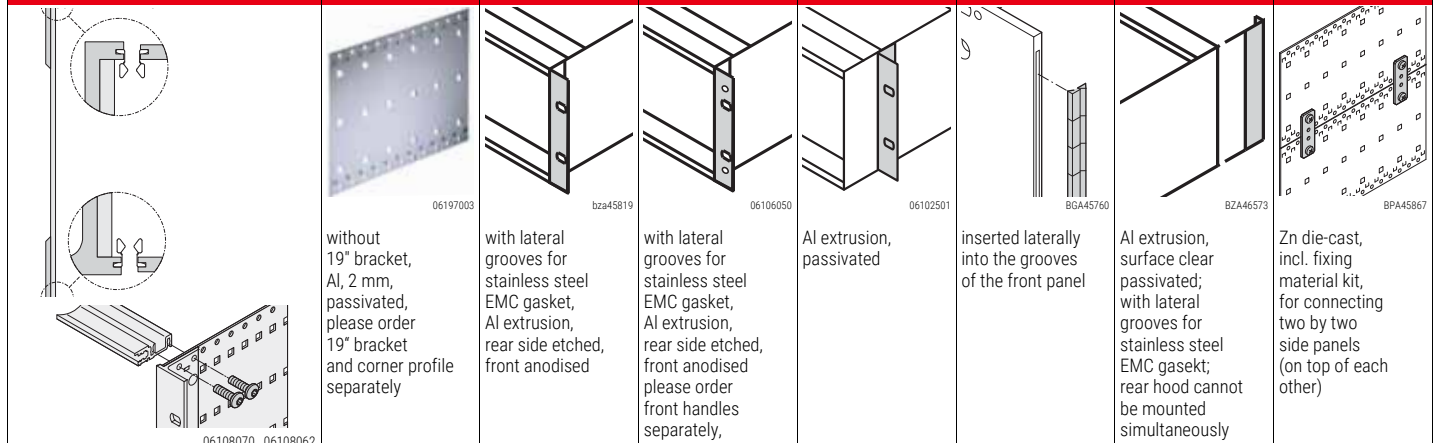
- Side panel with moulded 19" bracket, for standard applications, unshielded
- Particularly cost-effective version (not suitable for EMC applications)
- Heights: 3 and 6 U
Depths: 175, 235 and 295 mm
Other dimensions on request
- Installed load up to 7.5 kg

06197002

Subracks – EuropacPRO

SIDE PANELS TYPE F FOR STAINLESS STEEL GASKET

ORDER INFORMATION

		Side panel type F	19" bracket without handle holes	19" bracket with handle holes	19" bracket depth-adjustable	EMC gasket (stainless steel)	Rear angle	Side panel connection
		without 19" bracket, Al, 2 mm, passivated, please order 19" bracket and corner profile separately	with lateral grooves for stainless steel EMC gasket, Al extrusion, rear side etched, front anodised	with lateral grooves for stainless steel EMC gasket, Al extrusion, rear side etched, front anodised please order front handles separately,	Al extrusion, passivated	inserted laterally into the grooves of the front panel	Al extrusion, surface clear passivated; with lateral grooves for stainless steel EMC gasket; rear hood cannot be mounted simultaneously	Zn die-cast, incl. fixing material kit, for connecting two by two side panels (on top of each other)
Height U	Depth mm	1 piece	PU 1 pair	PU 1 pair	PU 1 pair	PU 10 pieces	PU 1 pair	PU 4 pieces
3	175	34560-185						
3	235	34560-187						
3	275	1) 34579-300						
3	277.75	2) 34579-002						
3	295	34560-189	24560-197	24560-198	24560-199	21101-705	24561-198	21101-954
3	355	34560-191						
3	415	34560-193						
3	475	34560-195						
4	175	3) 34560-285						
4	235	3) 34560-287						
4	295	3) 34560-289	24560-297	24560-298	24560-299	21101-713	24561-298	21101-954
4	355	3) 34560-291						
4	415	3) 34560-293						
4	475	3) 34560-295						
6	175	34560-485						
6	235	34560-487						
6	275	1) 34579-038						
6	277.75	2) 34579-012						
6	295	34560-489	24560-497	24560-498	24560-499	21101-707	24561-498	21101-954
6	355	34560-491						
6	415	34560-493						
6	475	34560-495						
6	970	34560-496						
9	175	34560-785						
9	235	34560-787						
9	295	34560-789	24560-797	24560-798	24560-799	21101-709	24561-798	21101-954
9	355	34560-791						
9	415	34560-793						
Screw, M4 x 14, PU 100 pieces, for fastening horizontal rail to side panel		24560-130	24560-130	24560-130	24560-130	-	24560-130	-
Screw, M4 x 10, required if guide rails are screwed to slot 1, PU 100 pieces		24560-155	24560-155	24560-155	24560-155	-	24560-155	-

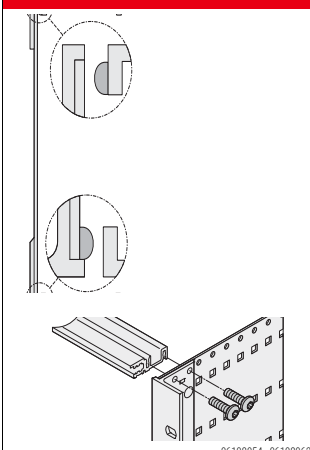

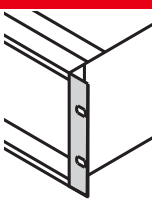
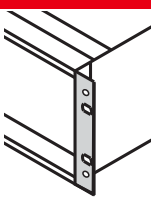
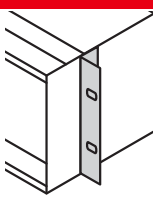
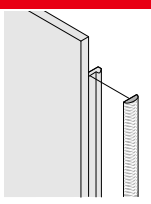
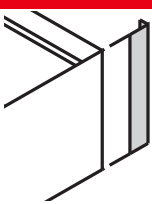
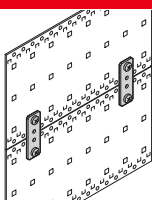
1) CompactPCI 2) VME64x 3) Grid holes of side panel 3 + 1 U

• View of side panels 3, 4, 6, 9 U see page 6.20

Subracks – EuropacPRO

SIDE PANELS TYPE F FOR TEXTILE EMC GASKET

ORDER INFORMATION

Illustration shows standard assembly, not VME or CompactPCI bus with rear I/O		Side panel type F	19" bracket without handle holes	19" bracket with handle holes	19" bracket depth-adjustable	EMC gasket (textile)	Rear angle	Side panel connection
		 06197003 without 19" bracket, Al, 2 mm, passivated, please order 19" bracket and corner profile separately	 bza45819 Al extrusion for textile EMC gasket rear side etched, front anodised	 06106050 Al extrusion for textile EMC gasket, rear side etched, front anodised, please order front handles separately, see page 6.27	 06102501 Al extrusion, passivated	 04602054 textile gasket, core: foam, sleeve: textile cladding with CuNi coating, UL 94 V-0	 BZA46573 Al extrusion, etched; for textile EMC gasket	 BPA45867 Zn die-cast, incl. fixing material kit, for connecting two by two side panels (on top of each other)
Height U	Depth mm	1 piece	PU 1 pair	PU 1 pair	PU 1 pair	PU 10 pieces	PU 1 pair	PU 4 pieces
3	175	34560-185						
3	235	34560-187						
3	275	1) 34579-300						
3	277.75	2) 34579-002						
3	295	34560-189	24564-197	24564-198	24560-199	21101-853	24564-199	21101-954
3	355	34560-191						
3	415	34560-193						
3	475	34560-195						
4	175	3) 34560-285						
4	235	3) 34560-287						
4	295	3) 34560-289						
4	355	3) 34560-291	24564-297	24564-298	24560-299	21101-858	24564-299	21101-954
4	415	3) 34560-293						
4	475	3) 34560-295						
6	175	34560-485						
6	235	34560-487						
6	275	1) 34579-038						
6	277.75	2) 34579-012						
6	295	34560-489	24564-497	24564-498	24560-499	21101-855	24564-499	21101-954
6	355	34560-491						
6	415	34560-493						
6	475	34560-495						
6	970	34560-496						
9	175	34560-785						
9	235	34560-787						
9	295	34560-789	24564-797	24564-798	24560-799	21101-859	24564-799	21101-954
9	355	34560-791						
9	415	34560-793						
Screw, M4 x 14, PU 100 pieces, for fastening horizontal rail to side panel		24560-130	24560-130	24560-130	24560-130	–	24560-130	–
Screw, M4 x 10, required if guide rails are screwed to slot 1, PU 100 pieces		24560-155	24560-155	24560-155	24560-155	–	24560-155	–

1) CompactPCI 2) VME64x 3) Grid holes of side panel 3 + 1 U