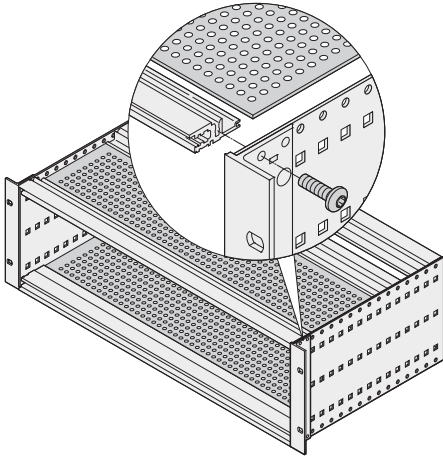


Cover plates can be used for electromagnetic shielding (with EMC contact springs) or as mechanical protection (without EMC springs)

Cover plates for mechanical protection

- Cover plates are inserted into the grooves of the front and rear horizontal rails, type L "light"

see page 6.45



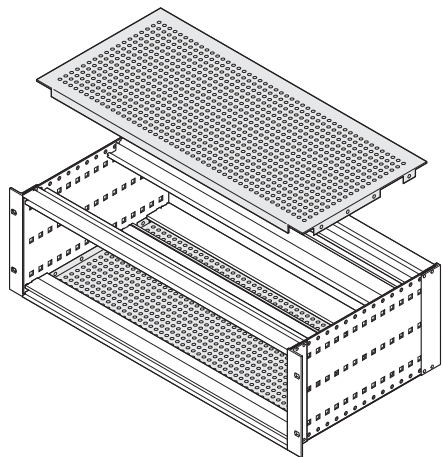
06108077

Cover plates with EMC shielding and mechanical protection

EMC cover plates for top and bottom

- Inserted in the groove of the front and rear horizontal rails; shielding with contact springs, lateral contact by bolting the bracket to the side panel
- Used when standard-depth PCBs (160, 220, 280, ...) are fitted

see page 6.46

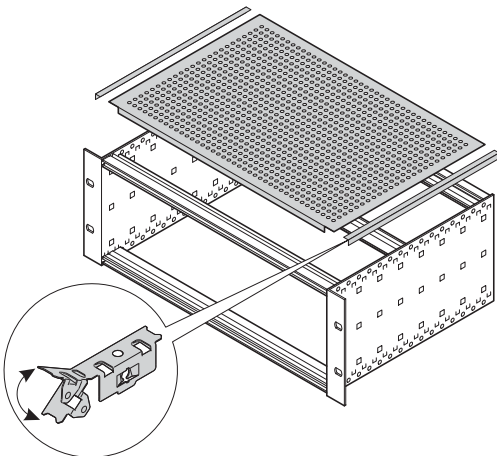


06102084

Universal EMC cover plates for top and bottom

- Inserted in the groove of the front and rear horizontal rails; shielding with contact springs, lateral contact by bolting to the side panel with special contact springs
- Used when PCBs with special dimensions are fitted

see page 6.47

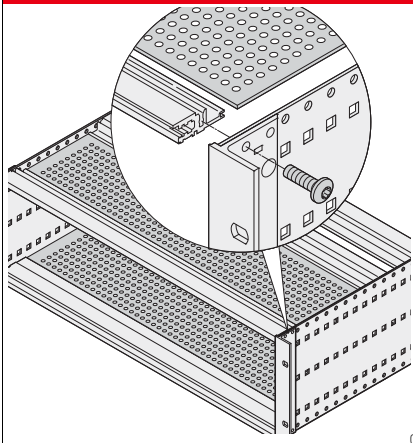
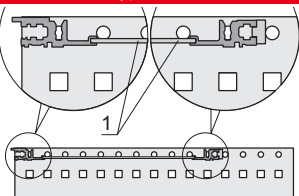


06105082

Subracks – EuropacPRO

COVER PLATES FOR MECHANICAL PROTECTION (INSERTION INTO HORIZONTAL RAIL TYPE L)

ORDER INFORMATION

			Cover plates for insertion into horizontal rail type L
			
<p>Perforated Al plate, 1.2 mm, hole diameter 3.8 mm, Al, untreated, perforation degree 60 %; for insertion into the groove of the light horizontal rails (type L)</p>			
Width HP	Depth mm	Application	PU 1 pair
42	175	160 mm board depth	24561-031
63	175	160 mm board depth	24561-041
84	175	160 mm board depth	24561-051
84	235	220 mm board depth	24561-052

NOTE

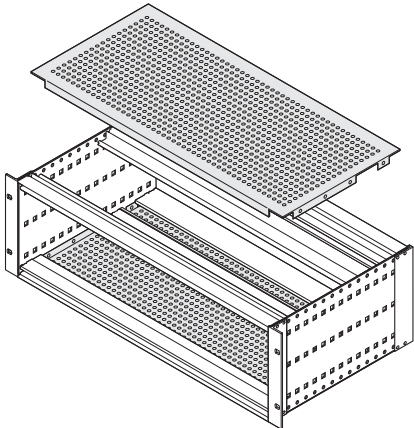
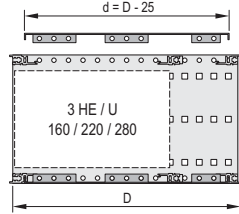
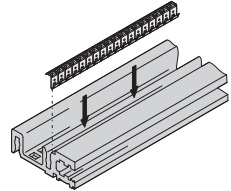
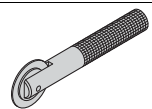
- Other dimensions on request

Subracks – EuropacPRO

EMC COVER PLATES AND MECHANICAL PROTECTION

- Cover plate for bolting to side panel
- Used when standard-depth PCBs (160, 220, 280, ...) are fitted

ORDER INFORMATION

			Cover plate for bolting to side panel	Stainless steel EMC gasket, between cover plate and horizontal rail	
			 <p>Al, 1.0 mm, hole diameter 4.0 mm, passivated, perforation degree 58 %, incl. fixing screws; for shielding 4 stainless steel EMC gaskets are required per subrack</p>	 <p>stainless steel EMC gasket, clips into the horizontal rail and forms the contact with the cover plate; suitable for all horizontal rails</p>	
Width HP	Depth mm	Application	PU 1 pair	PU 10 pieces	PU 100 pieces
42	175	160 mm board depth	24560-064		
42	235	160, 220 mm board depth	24560-065		
42	275	160, 220 mm board depth CompactPCI (275 mm)	24560-061	24560-241	–
42	277.75	160, 220 mm board depth VME64x (277.75 mm)	24579-090		
42	295	160, 220, 280 mm board depth	24560-066		
63	175	160 mm board depth	24560-071		
63	235	160, 220 mm board depth	24560-072	24560-243	–
63	275	160, 220 mm board depth CompactPCI (275 mm)	24560-062		
63	295	160, 220, 280 mm board depth	24560-073		
84	175	160 mm board depth	24560-078		
84	235	160, 220 mm board depth	24560-079		
84	275	160, 220 mm board depth CompactPCI (275 mm)	24560-063		
84	277.75	160, 220 mm board depth VME64x (277.75 mm)	24579-092	24560-245	24560-246
84	295	160, 220, 280 mm board depth	24560-080		
84	355	160, 220, 280 mm board depth	24560-081		
84	415	160, 220, 280 mm board depth	24560-082		
84	475	160, 220, 280 mm board depth	24560-083		
Assembly tool, for EMC gasket, stainless steel (horizontal rails), 1 piece 			–	24560-271	

NOTE

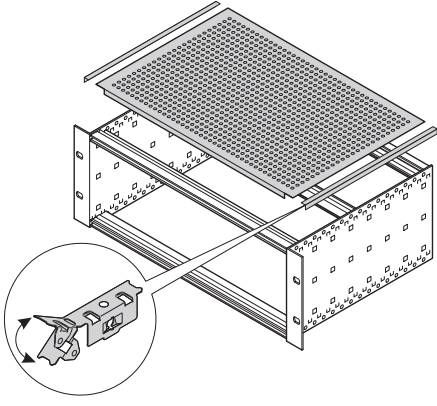
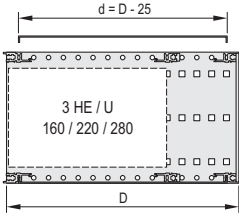
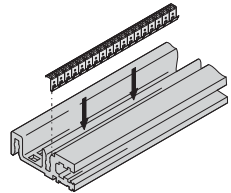
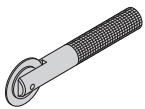
- Cover plates without perforation available on request

Subracks – EuropacPRO

UNIVERSAL EMC COVER PLATES AND MECHANICAL PROTECTION

- Used when PCBs with special dimensions are fitted

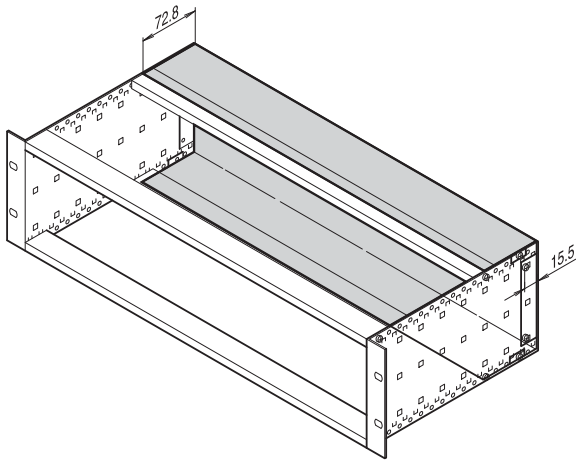
ORDER INFORMATION

			Universal cover plate		Stainless steel EMC gasket, between cover plate and horizontal rail	
 <p style="text-align: right;">06105082</p>			 <p>Al, 1.0 mm, hole diameter 4.0 mm, passivated, perforation degree 58 %, incl. lateral EMC sealing, incl. fixing screws</p>		 <p>06108079</p> <p style="text-align: right;">06106052</p> <p>stainless steel EMC gasket, clips into the horizontal rail and forms the contact with the cover plate; suitable for all horizontal rails</p>	
Width	Depth	Application			PU 10 pieces	PU 100 pieces
HP	mm		PU 1 pair			
42	175	160 mm board depth	24560-031			
42	235	160, 220 mm board depth	24560-032		24560-241	–
42	295	160, 220, 280 mm board depth	24560-033			
63	175	160 mm board depth	24560-041			
63	235	160, 220 mm board depth	24560-042		24560-243	–
63	295	160, 220, 280 mm board depth	24560-043			
84	175	160 mm board depth	24560-051			
84	235	160, 220 mm board depth	24560-052			
84	295	160, 220, 280 mm board depth	24560-053		24560-245	24560-246
84	355	160, 220, 280 mm board depth	24560-054			
84	415	160, 220, 280 mm board depth	24560-055			
84	475	160, 220, 280 mm board depth	24560-056			
Assembly tool, for EMC gasket, stainless steel (horizontal rails), 1 piece 			–		24560-271	

Subracks – EuropacPRO

COVER/SHIELDING TO FRONT AND REAR

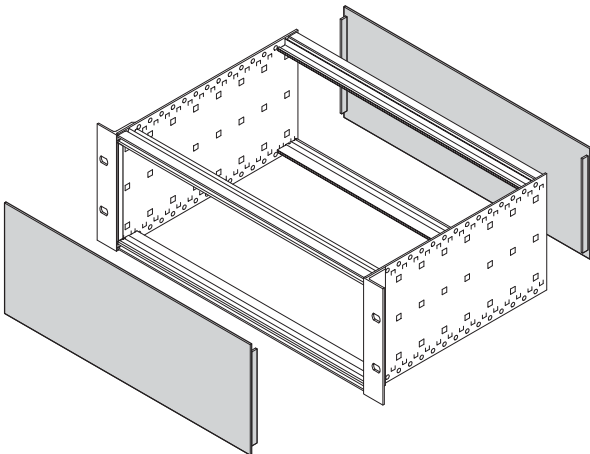
- The front and rear sides of the subrack can be shielded by a hinged front panel or by a fixed front panel and 19" brackets
- The rear can be shielded with a front panel and a corner profile



BZA45814

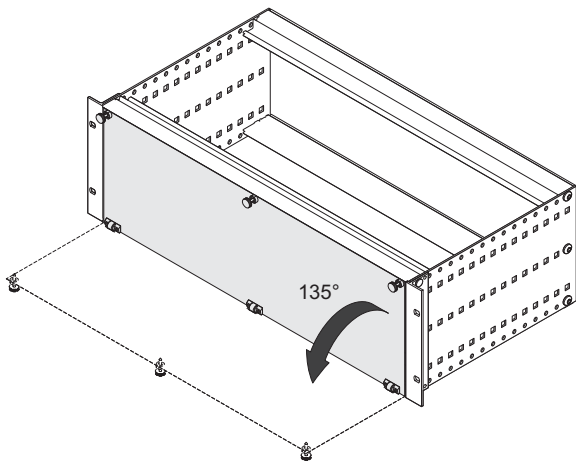
Rear hood

Front panel for front and rear



06112089

Front panel, hinged/pivoted

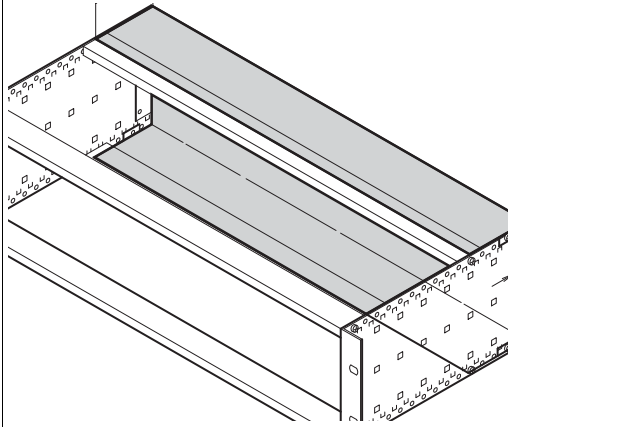
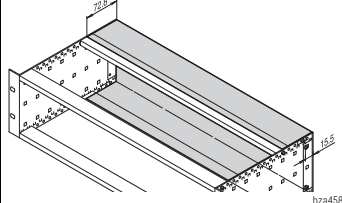
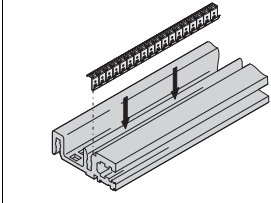


06112090

Subracks – EuropacPRO

REAR HOOD FOR 3 U AND 6 U SUBRACKS (FOR STAINLESS STEEL EMC GASKET)

ORDER INFORMATION

		Rear hood	Stainless steel EMC gasket, between cover plate and horizontal rail	
 <p style="text-align: right; font-size: small;">bza45814</p>		 <p style="text-align: right; font-size: small;">bza45819</p> <p>Al, 1 mm, clear passivated; 60 mm additional side panel depth required (board depth + 60 mm); for shielding please order EMC gasket for horizontal rail separately; cannot be used simultaneously with rear corner profile</p>	 <p style="text-align: right; font-size: small;">06106052</p> <p>stainless steel EMC gasket, clips into the horizontal rail and forms the contact with the cover plate; suitable for all horizontal rails</p>	
Height	Width	1 piece	PU 10 pieces	PU 100 pieces
U	HP			
3	42	34561-750	24560-241	–
3	84	34561-752	24560-245	24560-246
6	63	34561-763	24560-243	–
6	84	34561-764	24560-245	24560-246
Torx panhead screw, M4 x 6, St, zinc-plated, PU 100 pieces		24560-135	–	
Assembly tool, for EMC gasket, stainless steel (horizontal rails), 1 piece		–	24560-271	

NOTE

- Other dimensions of rear hood available on request