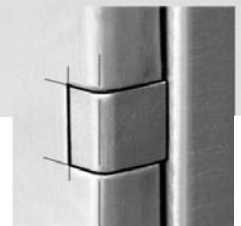


Standing cabinets
Single cabinets FXE/Side-by-side cabinets FXA



FXE / FXA series stainless steel cabinets, with fully welded, warp-resistant construction, are designed for the highest demands. With their comprehensive range of equipment, such as two-piece base-plates, mounting plates adjustable at intervals of 25 mm, door with installation frame and standard protection type IP 55, they provide both security and easy installation.

Single cabinets can be augmented to protection type IP 66 or IP 69K.



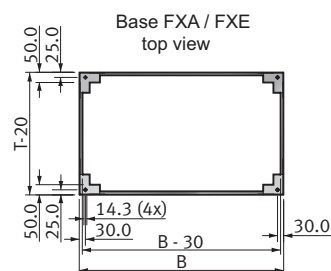
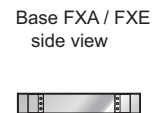
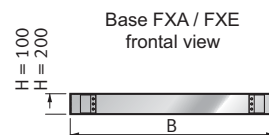
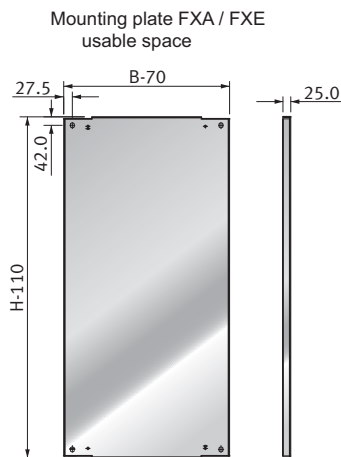
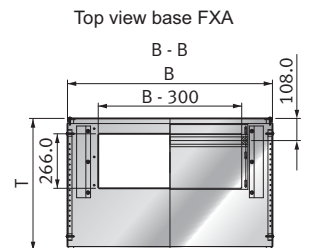
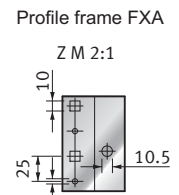
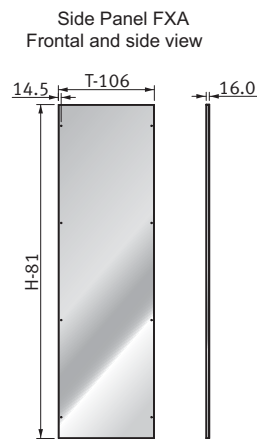
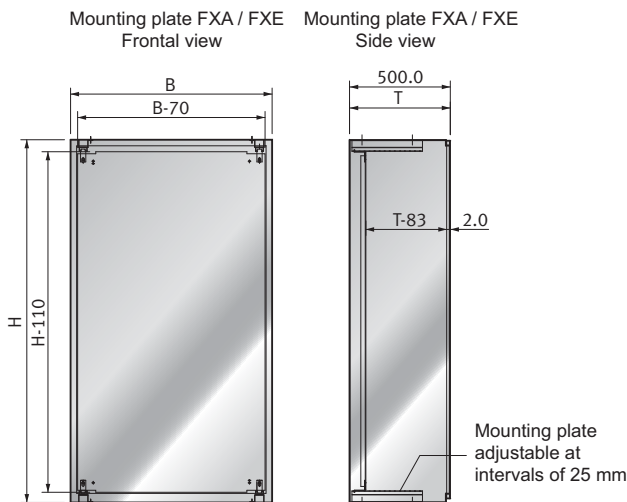
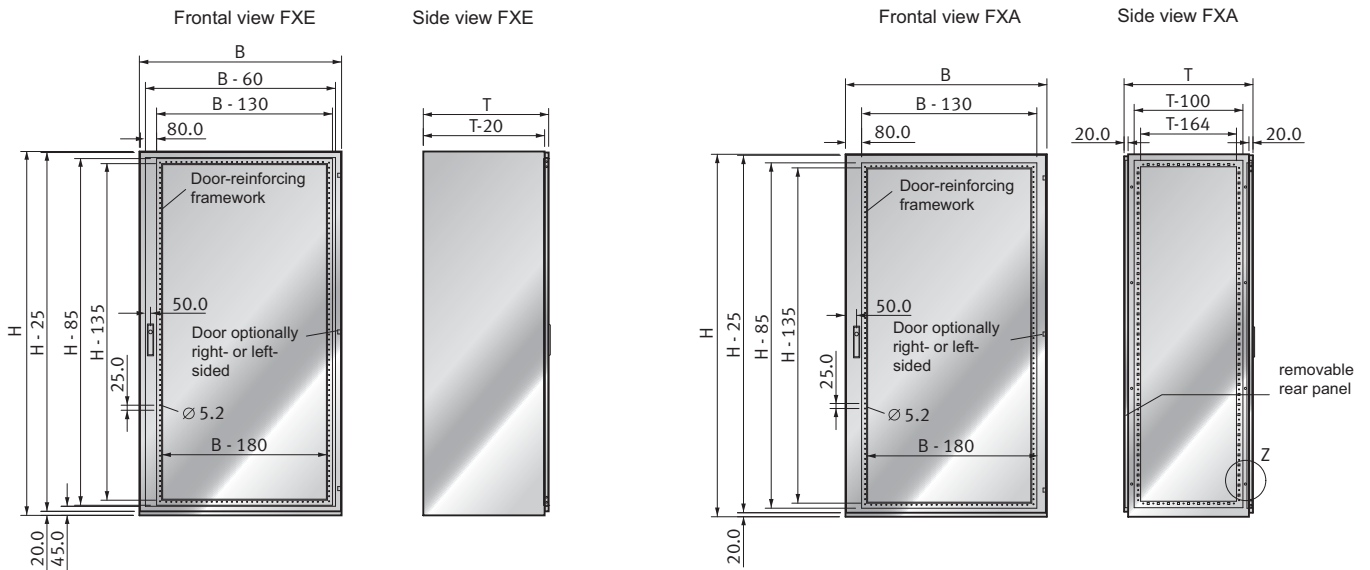
180°-stainless steel hinge evenly located in the door contour, aesthetic design, highly resistant, easy to clean.

For side-by-side cabinets peripheral profile with 25 mm-breadboard.

Two-piece base-plates with expanded rubber sealing included in delivery.

Special sizes and customised cases based on FXE/FXA-series are available.

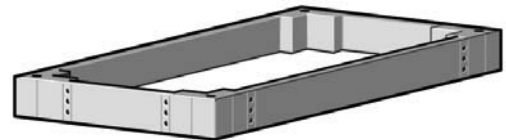
Design drawing and dimensions



Accessories

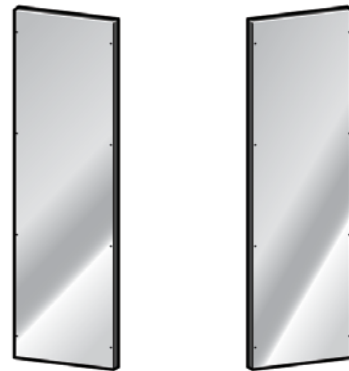
Fixed base

FXS 1064	FXS 2064
FXS 1065	FXS 2065
FXS 1066	FXS 2066
FXS 1084	FXS 2084
FXS 1085	FXS 2085
FXS 1086	FXS 2086
FXS 1104	FXS 2104
FXS 1105	FXS 2105
FXS 1106	FXS 2106
FXS 1124	FXS 2124
FXS 1125	FXS 2125
FXS 1126	FXS 2126



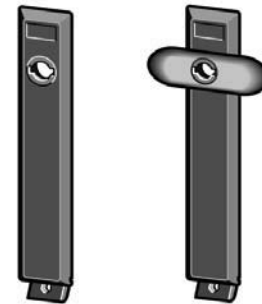
Side panels for FXA PU 2 pcs.

FXP 164
FXP 184
FXP 185
FXP 186
FXP 204
FXP 205
FXP 206



Bascule españolette-system

DDB 3 mm	FP 03
DDB 5 mm	FP 05
Triangle 7 mm	FP 37
Triangle 8 mm	FP 38
Square 7 mm	FP 47
Square 8mm	FP 48
T-grip	FPT
T-grip with cylinder lock	FPTS



FXE G 156 A FX G 156

Side-swing lever-action

Jack ring M12 galvanized PU 4 pcs.

T 1201



Design principle

Characteristic	Standard	Option
Material	1.4301	1.4404 1.4571 smoothed, grit 240
Type of protection	IP55, double door: IP54	IP65, IP66, IP69K
Body	Material thickness 2 mm fully welded Base opening with split base plate. FXE: Rear and side panel fixed. FXA: Rear panel removable, profile frame with 25mm-bread-board, side panels as accessories.	Special dimensions, no base opening
Door	Material thickness 2 mm neoprene sealing 3 in-door stainless steel hinges with 180°-beam width and installation frame.	Silicon sealing, HF-sealing.
Locking	Bascule espagnolette-system, 3mm-DDB.	Side-swing lever-action, T-grips, div. lock inserts
Mounting plate	Material thickness 3 mm sendzimir galvanisation, Long sides bevelled twice, adjustable at intervals of 25 mm.	Made of stainless steel.
Grounding according to VDE 0660	Body, door and mounting plate.	
Shipment	Cabinet, base-plates, mounting plate.	

Dimensions



Dimensions FXE

Type	H x W x D (mm)	Weight (kg)
FXE 16064	1600 x 600 x 400	86
FXE 16084	1600 x 800 x 400	107
FXE 18064	1800 x 600 x 400	96
FXE 18065	1800 x 600 x 500	103
FXE 18066	1800 x 600 x 600	111
FXE 18084	1800 x 800 x 400	119
FXE 18085	1800 x 800 x 500	127
FXE 18086	1800 x 800 x 600	135
FXE 18104	1800 x 1000 x 400	142
FXE 18105	1800 x 1000 x 500	151
FXE 18106	1800 x 1000 x 600	160
FXE 18124*	1800 x 1200 x 400	165
FXE 18125*	1800 x 1200 x 500	175
FXE 18126*	1800 x 1200 x 600	184
FXE 20064	2000 x 600 x 400	105
FXE 20065	2000 x 600 x 500	114
FXE 20066	2000 x 600 x 600	122
FXE 20084	2000 x 800 x 400	131
FXE 20085	2000 x 800 x 500	140
FXE 20086	2000 x 800 x 600	149
FXE 20104	2000 x 1000 x 400	156
FXE 20105	2000 x 1000 x 500	166
FXE 20106	2000 x 1000 x 600	175
FXE 20124*	2000 x 1200 x 400	181
FXE 20125*	2000 x 1200 x 500	192
FXE 20126*	2000 x 1200 x 600	202

Dimensions FXA

Type	H x W x D (mm)	Weight (kg)
FXA 16064	1600 x 600 x 400	68
FXA 16084	1600 x 800 x 400	89
FXA 18064	1800 x 600 x 400	76
FXA 18065	1800 x 600 x 500	78
FXA 18066	1800 x 600 x 600	81
FXA 18084	1800 x 800 x 400	99
FXA 18085	1800 x 800 x 500	101
FXA 18086	1800 x 800 x 600	105
FXA 18104	1800 x 1000 x 400	122
FXA 18105	1800 x 1000 x 500	126
FXA 18106	1800 x 1000 x 600	130
FXA 18124*	1800 x 1200 x 400	145
FXA 18125*	1800 x 1200 x 500	150
FXA 18126*	1800 x 1200 x 600	154
FXA 20064	2000 x 600 x 400	83
FXA 20065	2000 x 600 x 500	85
FXA 20066	2000 x 600 x 600	87
FXA 20084	2000 x 800 x 400	109
FXA 20085	2000 x 800 x 500	111
FXA 20086	2000 x 800 x 600	114
FXA 20104	2000 x 1000 x 400	134
FXA 20105	2000 x 1000 x 500	137
FXA 20106	2000 x 1000 x 600	140
FXA 20124*	2000 x 1200 x 400	159
FXA 20125*	2000 x 1200 x 500	163
FXA 20126*	2000 x 1200 x 600	167

* Double door
Two-piece base-plates with expanded rubber sealing included in delivery.