



Flat Ribbon Cables FKH Series

Features and Benefits

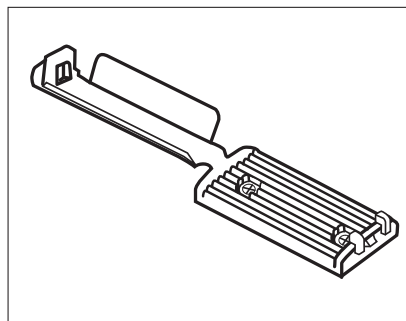
Flat Ribbon cables can be quickly and easily installed using these one piece fixing clips. They offer the benefits of being easily releasable and re-usable for additional or replacement of cables.

Application

These clips are ideal for use in applications which are difficult to access, or for areas where a self adhesive is the only possible fixing method (for example "holes" would be unacceptable). The FKH clips are designed to retain flat ribbon cables – ideal for use in computer equipment, gaming machines and domestic appliances. Available in self-adhesive mount or screw mount.



Based on extremely soft wings any flat cable is gently fastened.



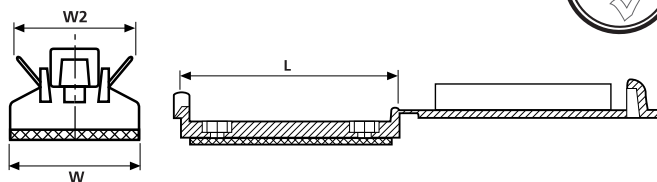
Fixation can be realised with M3 screws or acrylic adhesive backing.



The flat ribbon cables are available in 4 different sizes.

For more information on the types of adhesive used please turn to page 120.

Material Data	
Material	Polyamide 6.6 High Impact Modified (PA66HIR)
Operating Temperature	-40 °C to +80 °C
Flammability	UL94 HB (excluding adhesive)



Technical Table								
Article-No.	Type	Length (L)	Width (W)	Width (W2)	Fixing Hole Ø (FH)	Adhesive	Material	Colour
151-15250	FKH25A	31.0	25.0	22.0	3.1	Acrylate	PA66HIR	Black (BK)
151-15300	FKH30A	35.0	25.0	22.0	3.1	Acrylate	PA66HIR	Black (BK)
151-15500	FKH50A	56.6	25.0	22.0	3.1	Acrylate	PA66HIR	Black (BK)
151-15800	FKH80A	86.0	25.0	22.0	3.1	Acrylate	PA66HIR	Black (BK)
151-16250	FKH25	31.0	25.0	22.0	3.1	–	PA66HIR	Black (BK)
151-16300	FKH30	35.0	25.0	22.0	3.1	–	PA66HIR	Black (BK)
151-16500	FKH50	56.6	25.0	22.0	3.1	–	PA66HIR	Black (BK)
151-16800	FKH80	86.0	25.0	22.0	3.1	–	PA66HIR	Black (BK)

All dimensions in mm. Subject to technical changes.