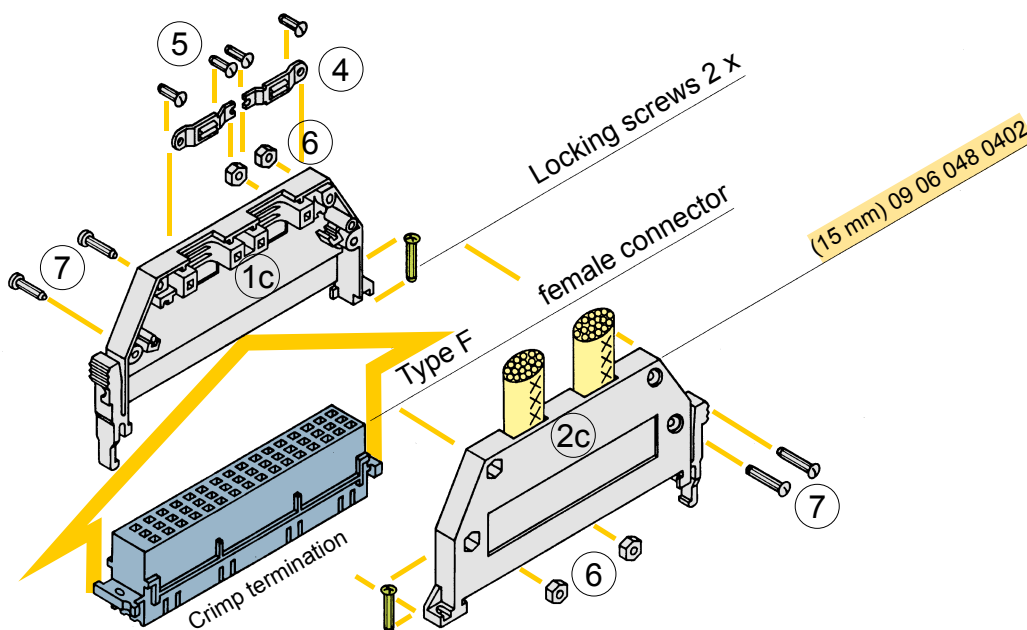


- ①a Casing shell 2x
- ③ Blinding piece 1x
- ④ Cable clamp 1x
- ⑤ Screw BZ 2.9 x 9.5 DIN ISO 1481 1x
- ⑥ Hexagonal nut M3 DIN EN ISO 4032 2x
- ⑦ Screw M3 x 12 DIN EN ISO 1207 2x

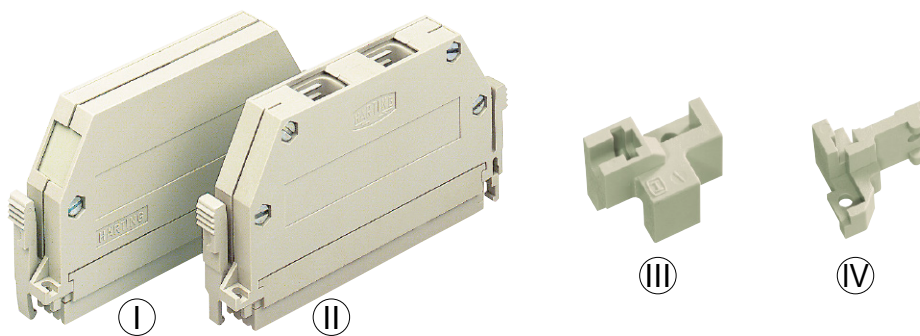


- ①c Shell 1x
- ②c Cover 1x
- ④ Cable clamp 2x
- ⑤ Screw BZ 2.9 x 9.5 DIN ISO 1481 4x
- ⑥ Hexagonal nut M3 DIN EN ISO 4032 4x
- ⑦ Screw M3 x 12 DIN EN ISO 1207 4x

Shell housings

- Separate accessories for housings
- Fitting female connectors
- Cable access
- Housing parts supplied

Shell housing A for type F



Identification	Part number	Drawing	Dimensions in mm
Shell housing A Side entry I	15 mm 09 06 048 0501 ^{f)}		
Top entry II	15 mm 09 06 048 0402 ^{f)}		
Cable clamp incl. screw	09 06 001 9986	1 x ④ + 2 x ⑤ on page 20.10	
Fixing brackets A for male connectors for 19" racks according to DIN EN 60 297, part 3-101	left 09 06 000 9901 ^{f)}		
Multiple fixing III	right 09 06 000 9902 ^{f)}	left right 1) nut and screw not supplied with bracket	
Single fixing IV	left 09 06 000 9905 ^{f)}		
	right 09 06 000 9906 ^{f)}	left right 	

^{f)} Railway classification NFF 16-101, Smoke index: F1, Flammability class: I2