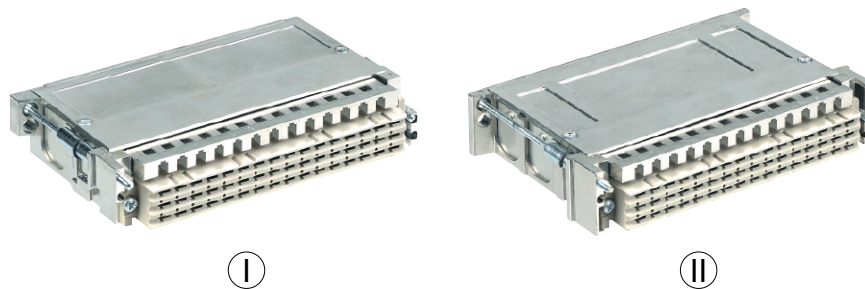
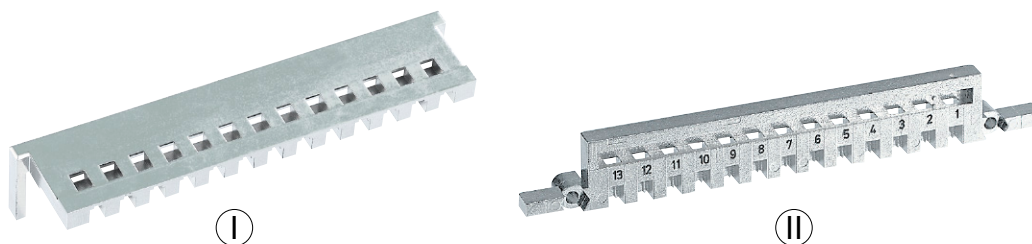


Shell housing D 20 metallised for types F, H and MH



Identification	Part number	Drawing	Dimensions in mm
<p>Shell housing D 20/2 metallised with two side cable entries</p> <p style="text-align: center;">I</p> <p>Supplied with: see page 20.20</p>	<p>20 mm 09 06 948 0521</p>		
<p>Shell housing D 20/4 metallised with four side cable entries</p> <p style="text-align: center;">II</p> <p>Supplied with: Shell 1x Cover 1x Locking screw 2x (09 06 000 9920) Locking washer 2.3 2x Screw BZ 2.2x7.5 12x Blinding piece 3x Cable clamp 2x</p>	<p>20 mm 09 06 948 0522</p>		
<p>Metallised insert e. g. for LED*</p> <p>for 55 mm height</p>	<p>09 06 900 9986</p>		
<p>for 60 mm height</p>	<p>09 06 900 9987</p>		
<p>Metallised round cable insert* 2 x \varnothing 11</p>	<p>09 06 900 9988</p>		

* Fits D 20/2 metallised
Railway classification NFF 16-101, Smoke index: F1, Flammability class: I2



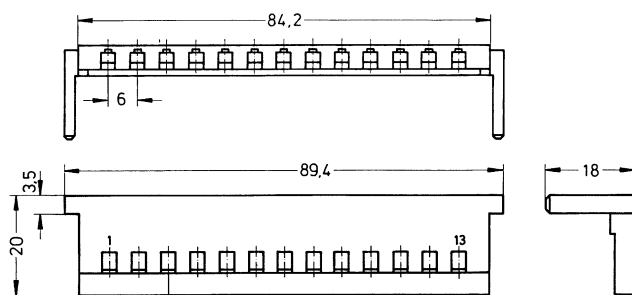
Coding

Identification Part number Drawing Dimensions in mm

Metallised code comb for shell housing³⁾
(can also be used as blanking cover)

I

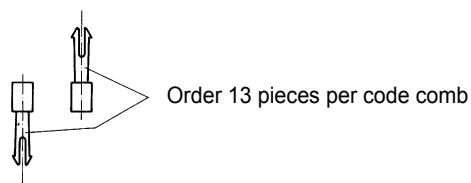
09 06 900 9984^{f)}



Code pin³⁾

09 06 001 9905¹⁾

¹⁾ Order 13 pieces per code comb



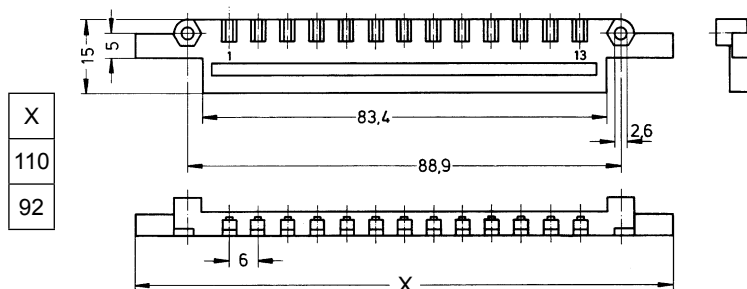
Metallised code comb for male connector³⁾

II

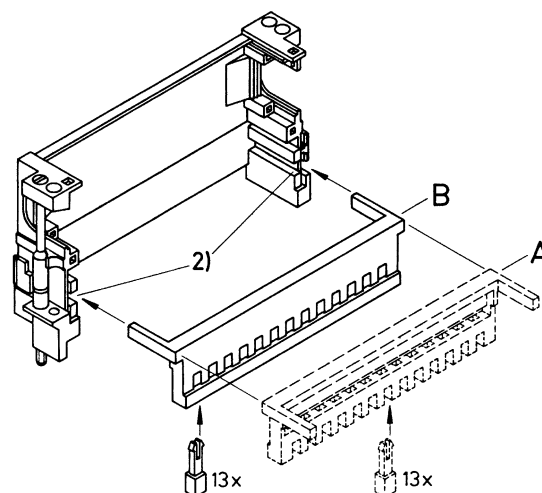
09 06 900 9985^{f)}

09 06 901 9985^{f)}

short version for a full metal locking lever



Mounting possibilities for the code comb in shell housing D 20/2 metallised



²⁾ Use the lower slot when coding the male connector with fixing brackets

Mounting example **A** max. cable entry \varnothing 14 mm to the top, see page 20.25

Mounting example **B** max. cable entry \varnothing 14 mm to the bottom, see page 20.25

³⁾ Fits D 20/2 and D 20/4 metallised

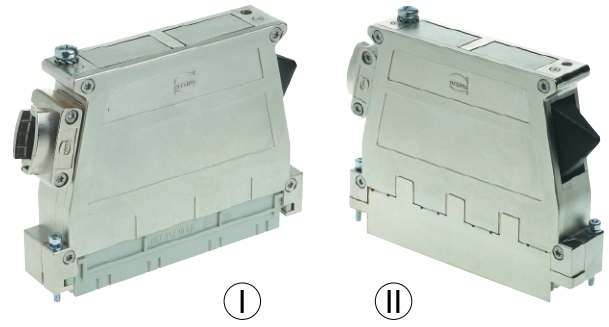
^{f)} Railway classification NFF 16-101, Smoke index: F1, Flammability class: I2

Identification	Part number	Drawing	Dimensions in mm
<p>Mounting possibilities for coding at the male connector with fixing brackets</p>			
<p>Fixing brackets B metallised for male connectors* for 19" racks according to DIN EN 60 297, part 3-101</p> <p>Single fixing* without nut</p> <p>with nut M 2.5 DIN EN ISO 4 036</p>	<p>left 09 06 900 9909 right 09 06 900 9910</p> <p>left 09 06 901 9934 right 09 06 901 9935</p>	<p>M 2.5 DIN EN ISO 4 036</p>	
<p>Multiple fixing* without coding at fixing bracket without nut</p> <p>without coding at fixing bracket with nut M 2.5 DIN 562</p> <p>with coding at fixing bracket¹⁾ with nut M 2.5 DIN 562</p>	<p>left 09 06 900 9907 right 09 06 900 9908</p> <p>left 09 06 900 9966 right 09 06 900 9967</p> <p>left 15 mm 09 06 900 9995 20 mm 09 06 900 9997</p> <p>right 15 mm 09 06 900 9996</p>	<p>M 2.5 DIN 562</p> <p>09 06 900 9995 09 06 900 9997</p> <p>2) supplied with fixing</p>	
<p>Protection and fixing* strip for 20 mm shell housing Single fixing fits female connectors and I element crimp</p>	<p>09 06 901 9909</p>		

* Fits D 20/2 and D 20/4 metallised

¹⁾ Specific coding between the fixing bracket and pcb guiding rail

Shell housing D 20 metal for types F, H and MH



Identification Part number Drawing Dimensions in mm

Shell housing
D 20 metal

ⓘ

Supplied with:

Shell with coding 1x

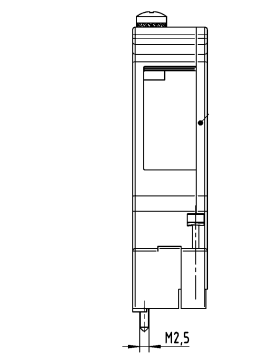
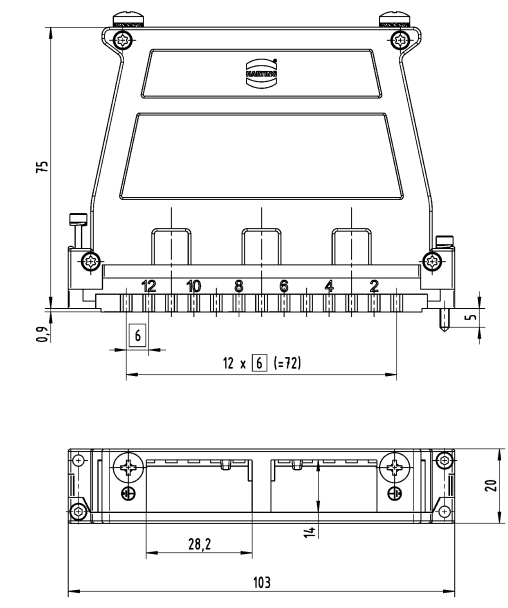
Cover 1x

Locking screw
(hexagonal)
M2.5 x 23
(09 06 800 9953) 2x

Screw (torx)
M2.5 x 10
(09 06 800 9960) 4x

Earth screw
M4 x 8
(09 06 800 9958) 2x

09 06 848 0550



Shell housings

Shell housing
D 20 metal HF
with nickel-plated
surface

Ⓜ

Supplied with:

Shell with coding
and HF-sealing spring 1x

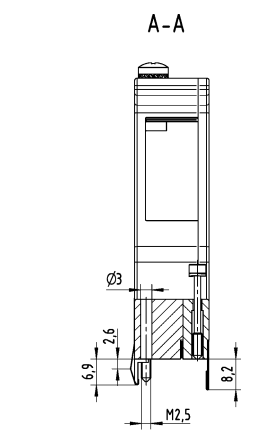
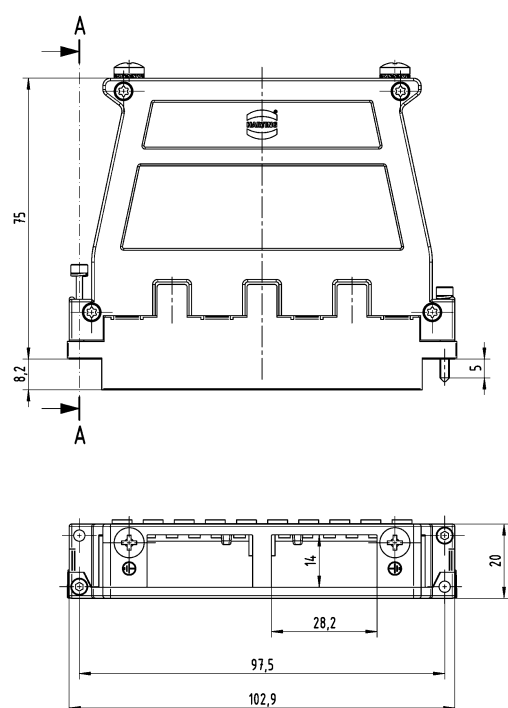
Cover
with shielding plate 1x

Locking screw
(hexagonal)
M2.5 x 23
(09 06 800 9953) 2x

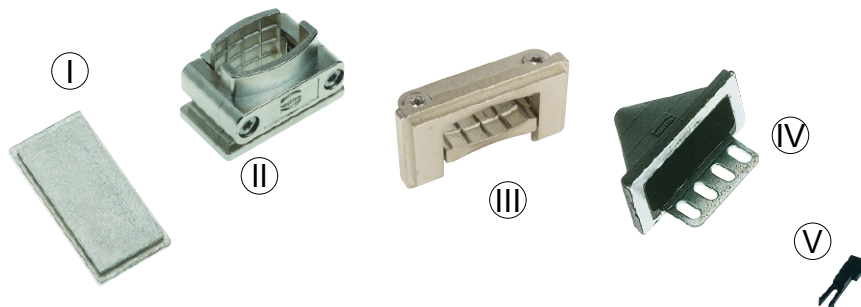
Screw (torx)
M2.5 x 10
(09 06 800 9960) 4x

Earth screw
M4 x 8
(09 06 800 9958) 2x

09 06 848 0551

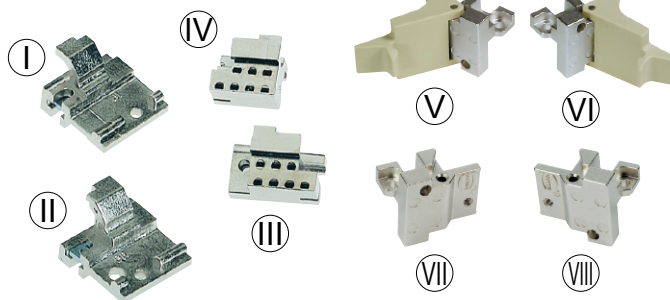


Shell housing D 20 metal for types F, H and MH



Identification	Part number	Drawing	Dimensions in mm
Blinding piece I	09 06 800 9951		
Cable clamp wide II	09 06 800 9955		
small III	09 06 800 9962		
Cable grommet with strain relief IV	09 06 800 9950		
Crimp flange insert	09 06 800 9952		
Cable clamp cable-Ø appr. 5- 7 mm	61 03 000 0141		
cable-Ø appr. 7-10 mm	61 03 000 0044		
cable-Ø appr. 10-12 mm	61 03 000 0143		
Blanking piece for hoods	61 03 000 0042		
Code pin V	09 06 001 9905	Order 13 pieces per code comb	
Hexagon ball-head screw driver	09 99 000 0003	Werkzeugsatz Set of tools 	

Shell housing D 20 metal HF for types F, H and MH



Identification Part number Drawing Dimensions in mm

Fixing brackets B
metallised
for male connectors
for 19" racks according
to DIN EN 60 297,
part 3-101

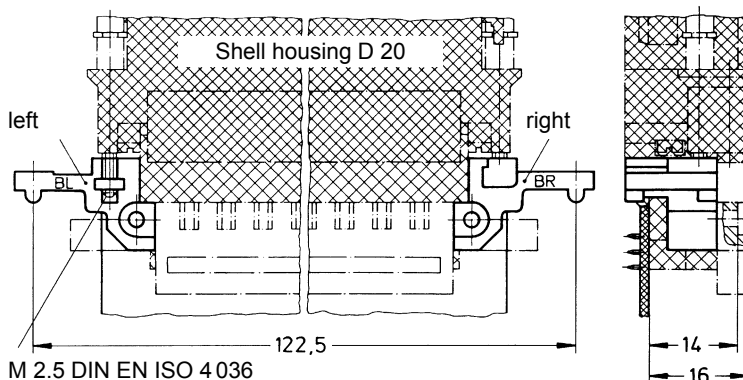
Single fixing

with nut
M 2.5
DIN EN ISO 4 036



left
20 mm
09 06 901 9924^{f)}

right
20 mm
09 06 901 9925^{f)}



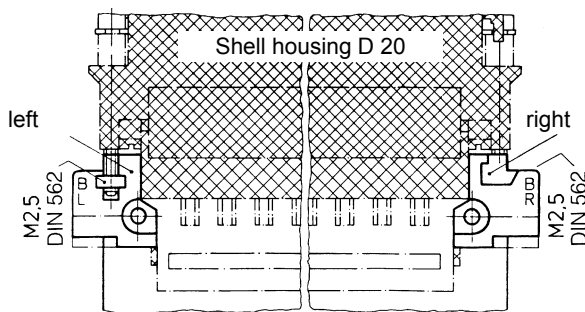
Multiple fixing

with coding
at fixing bracket
with nut
M 2.5 DIN 562



left
20 mm
09 06 900 9997^{f)}

right
15 mm
09 06 900 9996^{f)}



Shell
 housings

Fixing brackets B
metal
for male connectors
for 19" racks according
to DIN EN 60 297,
part 3-101

Single fixing

with ejector
handle



left
09 06 800 9946

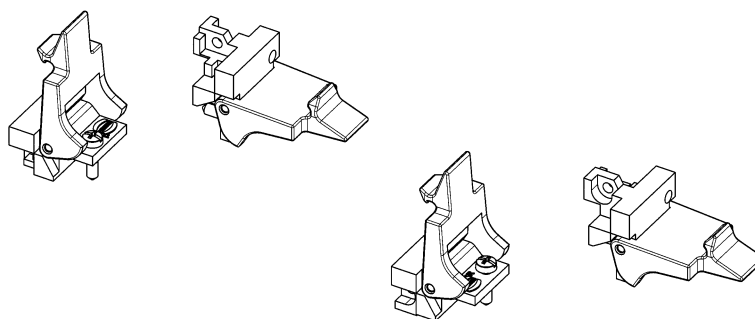
right
09 06 800 9948

without ejector
handle



left
09 06 800 9966

right
09 06 800 9968



20
-
32

^{f)} Railway classification NFF 16-101, Smoke index: F1, Flammability class: I2