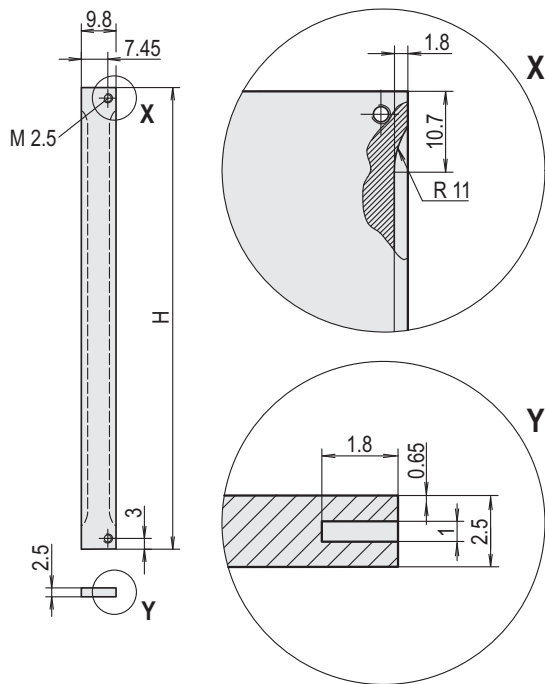


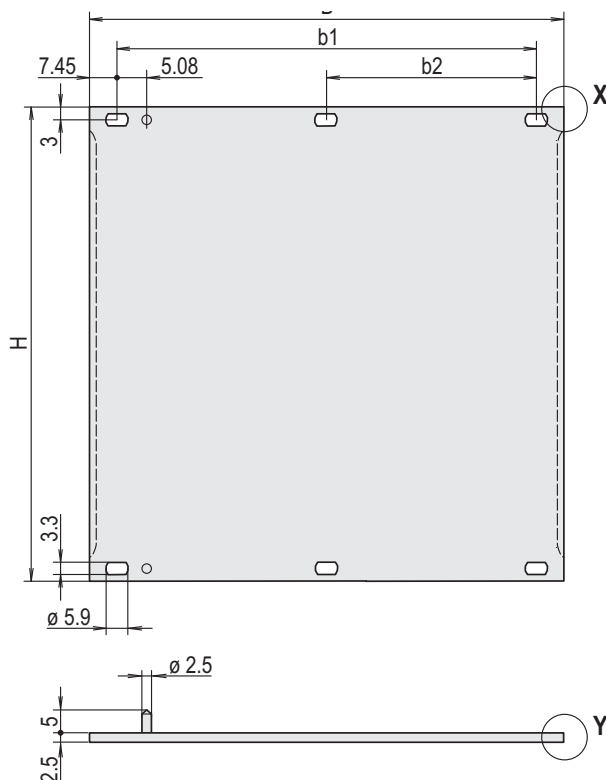
Modules – Front panels

FRONT PANELS, SHIELDABLE



2 HP

04602052



> 2 HP

04608154

- Front panel, Al, 2.5 mm, front anodised, rear iridescent green chromated, 2 alignment pins pressed-in, stainless steel
- Shielding with stainless steel EMC gasket

ORDER INFORMATION

Height H U	mm	Width HP	B mm	b1 mm	b2 mm	Align- ment pin	Qty	Part no.
2	84	84	426.4	411.5	203.2	–	1	30846-588
3	128.4	2	9.8	–	–	–	1 (SPQ 5) ¹⁾	30846-864
3	128.4	3	14.9	–	–	x	1 (SPQ 5) ¹⁾	20846-425
3	128.4	4	20	–	–	x	1 (SPQ 5) ¹⁾	20846-426
3	128.4	5	25	–	–	x	1 (SPQ 5) ¹⁾	20846-427
3	128.4	6	30.1	–	–	x	1 (SPQ 5) ¹⁾	20846-428
3	128.4	7	35.2	–	–	x	1 (SPQ 5) ¹⁾	20846-429
3	128.4	8	40.3	25.4	–	x	1 (SPQ 5) ¹⁾	20846-430
3	128.4	10	50.5	35.6	–	x	1 (SPQ 5) ¹⁾	20846-431
3	128.4	12	60.6	45.7	–	x	1 (SPQ 5) ¹⁾	20846-432
3	128.4	14	70.8	55.9	–	x	1 (SPQ 5) ¹⁾	20846-433
3	128.4	21	106.3	91.4	–	x	1 (SPQ 5) ¹⁾	20846-434
3	128.4	28	141.9	127	–	x	1 (SPQ 5) ¹⁾	20846-436
3	128.4	42	213	198.1	101.6	x	1	20846-437
3	128.4	63	319.7	304.8	157.5	x	1	20846-438
3	128.4	84	426.4	411.5	203.2	–	1	30846-676
4	172.9	84	426.4	411.5	203.2	–	1	30846-683
6	261.8	2	9.8	–	–	–	1 (SPQ 5) ¹⁾	30846-865
6	261.8	4	20	–	–	x	1 (SPQ 5) ¹⁾	20846-443
6	261.8	5	25	–	–	x	1 (SPQ 5) ¹⁾	20846-444
6	261.8	6	30.1	–	–	x	1 (SPQ 5) ¹⁾	20846-445
6	261.8	7	35.2	–	–	x	1 (SPQ 5) ¹⁾	20846-446
6	261.8	8	40.3	25.4	–	x	1 (SPQ 5) ¹⁾	20846-447
6	261.8	10	50.5	35.6	–	x	1 (SPQ 5) ¹⁾	20846-448
6	261.8	12	60.6	45.7	–	x	1 (SPQ 5) ¹⁾	20846-449
6	261.8	14	70.8	55.9	–	x	1 (SPQ 5) ¹⁾	20846-450
6	261.8	16	80.9	66	–	x	1 (SPQ 5) ¹⁾	20846-456
6	261.8	21	106.3	91.4	–	x	1 (SPQ 5) ¹⁾	20846-451
6	261.8	28	141.9	127	–	x	1 (SPQ 5) ¹⁾	20846-452
6	261.8	42	213	198.1	101.6	x	1	20846-453
6	261.8	63	319.7	304.8	157.5	x	1	20846-454
6	261.8	84	426.4	411.5	203.2	–	1	30846-771
9	395.1	84	426.4	411.5	203.2	–	1	30846-859

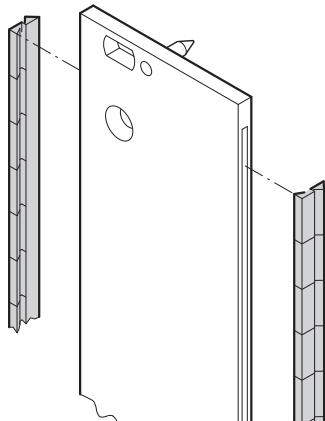
Delivery is exclusively made in Standard Pack Quantity (SPQ): Please order at least 5 pieces or a multiple.
Pricing is per individual item.

NOTE

- Please order fixing material (sleeves, collar screws) separately, see page 7.107
- Please order stainless steel EMC gasket separately, see page 7.6

Modules – Front panels

STAINLESS STEEL EMC GASKET



- The stainless steel EMC gaskets are inserted into the lateral slots of the shieldable front panels (2 pieces per front panel)

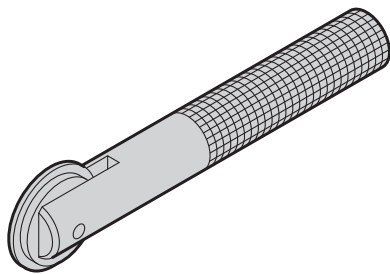
DELIVERY COMPRISES

Item	Qty	Description
1	10/100	EMC gasket (stainless steel)

ORDER INFORMATION

Height U	Height mm	Qty/PU	Part no.
2	52	10	21101-775
3	97	10	21101-705
3	97	100	21101-706
4	142	10	21101-713
4	142	100	21101-714
5	187	10	21101-777
5	187	100	21101-778
6	232	10	21101-707
6	232	100	21101-708
9	367	10	21101-709
9	367	100	21101-710
Assembly tool for EMC gasket (stainless steel), 1 piece			24560-270

Montagewerkzeug



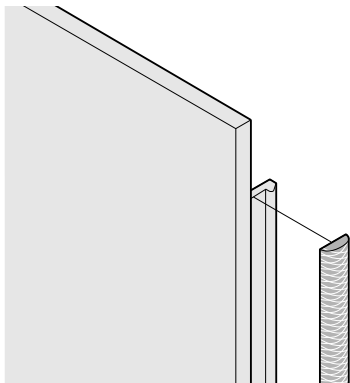
bga45760

aza45937

NOTE

- Please order assembly tool separately

TEXTILE EMC GASKET



- Textile EMC gasket is glued laterally on the front panel, in the groove of the right-hand profile
- 2 temperature ranges
 - Temperature range -40... +70 °C
 - Temperature range -40... +85 °C

DELIVERY INCLUDES

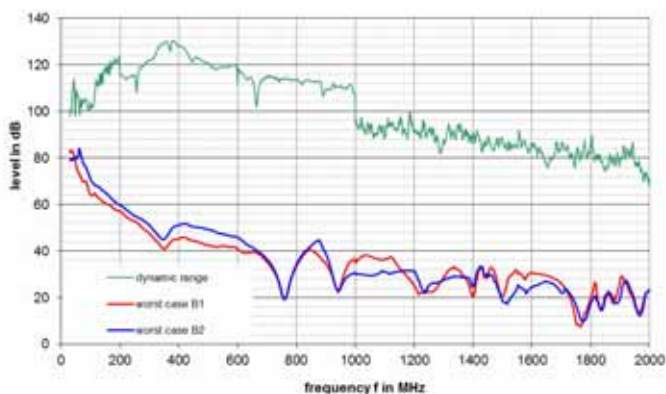
Item	Qty	Description
1	see Order Information	EMC textile gasket, core: TPE foam (-40... +70 °C), Core: silicon with hollow chamber (-40... +85 °C), sleeve: textile cladding with CuNi coating

ORDER INFORMATION

Height U	Height mm	Qty/PU piece	Part no. Temperature range -40... +70 °C	Part no. Temperature range -40... +85 °C
2	52	10	21101-857	21102-857
3	97	10	21101-853	21102-853
3	97	100	21101-854	21102-854
4	142	10	21101-858	21102-858
5	187	10	21101-978	21102-978
6	232	10	21101-855	21102-855
6	232	100	21101-856	21102-856
9	365	10	21101-859	21102-859
9	365	100	21101-904	–

EMC characteristic (typical, green)

B1 (red): -40 ... -70 °C, B2 (blue): -40 ... -85 °C



04602054

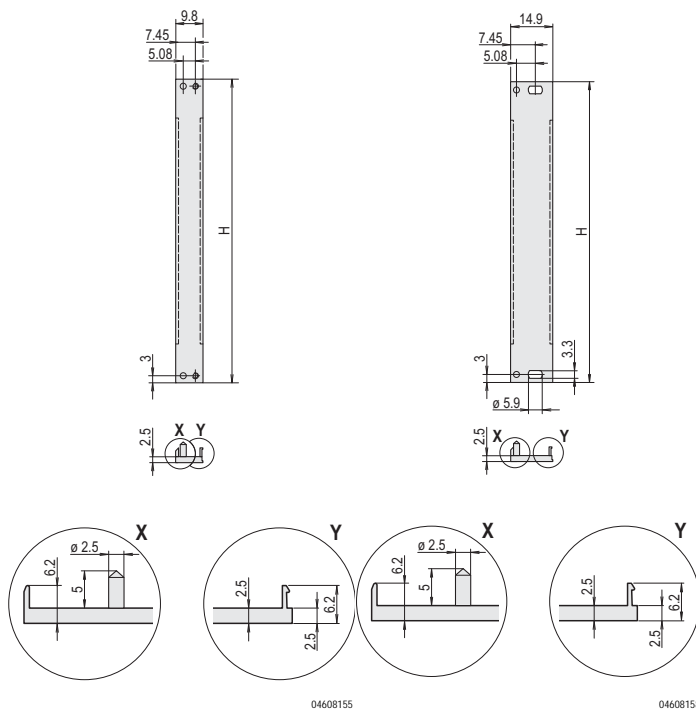
04614052

Modules – Front panels

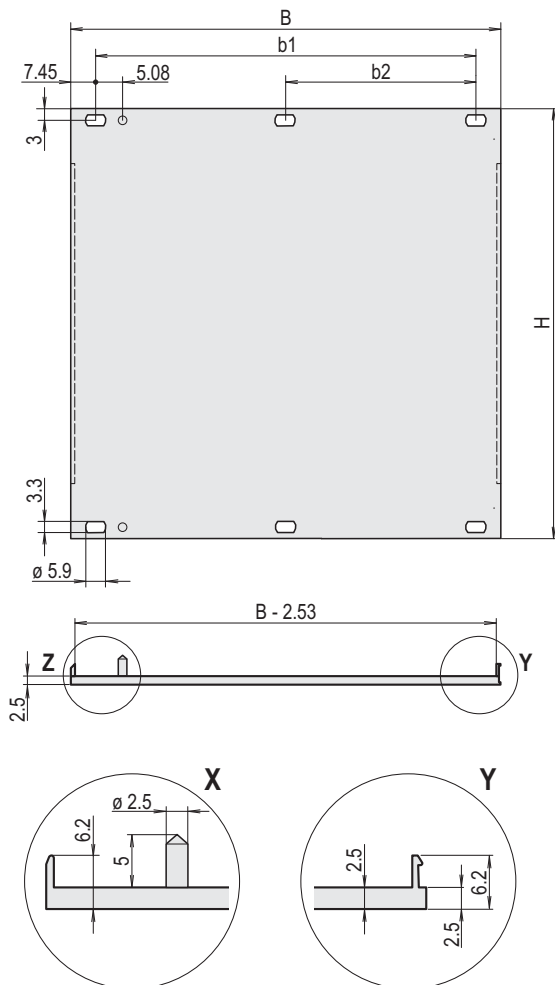
FRONT PANELS, U PROFILE, SHIELDABLE

2 HP

3 U



> 3 HP



- High stability through U profile
- Front panel, U profile, Al, front anodised, rear conductive, 2 alignment pins pressed-in, stainless steel
- Differences in the finish between 2 ... 12 HP and 14 ... 84 HP

ORDER INFORMATION

Height H	Width U	B	b1	b2	Align-ment pin	Qty	Part no.	
mm	HP	mm	mm	mm				
2	84	84	426.4	411.5	203.2	–	1 (SPQ 5)1	20848-262
3	128.4	2	9.8	–	–	x	1 (SPQ 5)1	30849-001
3	128.4	3	14.9	–	–	x	1 (SPQ 5)1	30849-004
3	128.4	4	20	–	–	x	1 (SPQ 5)1	30848-354
3	128.4	5	25	–	–	x	1 (SPQ 5)1	30848-378
3	128.4	6	30.1	–	–	x	1 (SPQ 5)1	30848-380
3	128.4	7	35.2	–	–	x	1 (SPQ 5)1	30848-382
3	128.4	8	40.3	25.4	–	x	1 (SPQ 5)1	30848-356
3	128.4	10	50.5	35.6	–	x	1 (SPQ 5)1	30848-386
3	128.4	12	60.6	45.7	–	x	1 (SPQ 5)1	30848-358
3	128.4	14	70.8	55.9	–	x	1 (SPQ 5)1	20848-013
3	128.4	16	80.9	66	–	x	1 (SPQ 5)1	20848-015
3	128.4	21	106.3	91.4	–	x	1 (SPQ 5)1	20848-020
3	128.4	28	141.9	127	–	x	1 (SPQ 5)1	20848-027
3	128.4	42	213	198.1	101.6	x	1	20848-047
3	128.4	63	319.7	304.8	157.5	x	1	20848-068
3	128.4	84	426.4	411.5	203.2	–	1	20848-097
4	172.9	84	426.4	411.5	203.2	–	1	20848-271
6	261.8	2	9.8	–	–	x	1 (SPQ 5)1	30849-002
6	261.8	4	20	–	–	x	1 (SPQ 5)1	30848-355
6	261.8	5	25	–	–	x	1 (SPQ 5)1	30848-379
6	261.8	6	30.1	–	–	x	1 (SPQ 5)1	30848-381
6	261.8	7	35.2	–	–	x	1 (SPQ 5)1	30848-383
6	261.8	8	40.3	25.4	–	x	1 (SPQ 5)1	30848-357
6	261.8	10	50.5	35.6	–	x	1 (SPQ 5)1	30848-387
6	261.8	12	60.6	45.7	–	x	1 (SPQ 5)1	30848-359
6	261.8	14	70.8	55.9	–	x	1 (SPQ 5)1	20848-106
6	261.8	16	80.9	66	–	x	1 (SPQ 5)1	20848-108
6	261.8	21	106.3	91.4	–	x	1 (SPQ 5)1	20848-113
6	261.8	28	141.9	127	–	x	1 (SPQ 5)1	20848-120
6	261.8	42	213	198.1	101.6	x	1	20848-139
6	261.8	63	319.7	304.8	157.5	x	1	20848-160
6	261.8	84	426.4	411.5	208.3	–	1	20848-189
9	395.1	84	426.4	411.5	203.2	–	1	20848-280

1) Delivery is exclusively made in Standard Pack Quantity (SPQ): Please order at least 5 pieces or a multiple.
Pricing is per individual item.

NOTE

- Differences in finish between 2 ... 12 HP and 14 ... 84 HP
 - 2 ... 12 HP: one-part U-profile
 - 14 ... 84 HP: multi-part U-profile (front panel with crimped profiles)
- Please order fixing material (sleeves, collar screws) separately, see page 7.107
- Please order textile EMC gasket separately, see page 7.6

Modules – Front panels

FRONT PANELS, BOTTOM-HINGED



- Suitable for subracks (europacPRO) and cases (ratiopacPRO, propacPRO, compacPRO)
- Front panel can be unhinged at 135° (not ratiopacPRO) opening angle
- The useable width is not restricted
- Mounts on the horizontal rails
- 2 versions:
 - unshielded
 - shielded, U front panel with textile EMC gasket

04295001

DELIVERY COMPRISES (kit)

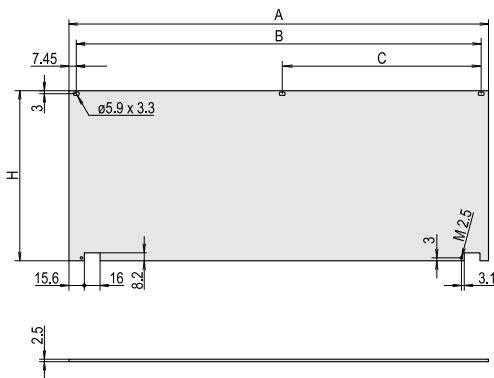
Item	Qty		Description
	Unshielded	Shielded	
1	1	-	Front panel, hinged, Al, 2.5 mm, anodised, cut edges plain
1a	-	1	Front panel, U profile, hinged, Al, 2.5 mm, front anodised, rear iridescent green chromated
2	2	3	Hinge, Zn die-cast, nickel-plated
3	2	3	Sleeve, PA
4	2	3	Knurled screw M2.5 x 12.3, nickel-plated
5	-	1	EMC textile gasket, core: foam, sleeve: textile cladding with CuNi coating
6	1	1	Assembly kit

04602080

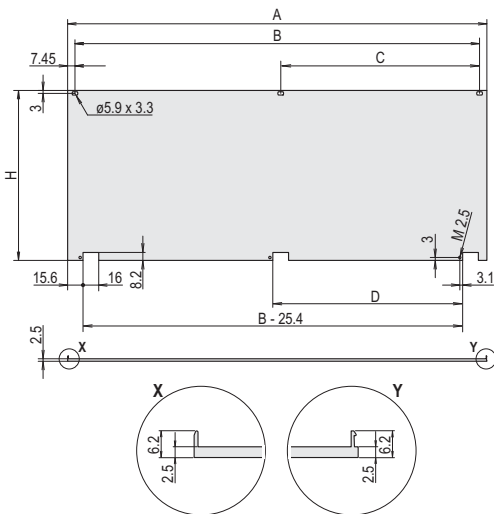
NOTE

- Unshielded: Dimension C for 84 HP only

Unshielded



Shielded



04602079

ORDER INFORMATION

Dimensions							Shielded	Unshielded
Height	Width	A	B	C	D	H	Part no.	Part no.
U	HP	mm	mm	mm	mm	mm		
3	28	141.9	127.0	-	-	128.4	20848-608	20838-280
3	42	213.0	198.1	101.6	86.4	128.4	20848-599	20838-271
3	63	319.7	304.8	157.5	137.2	128.4	20848-600	20838-272
3	84	426.4	411.5	208.3 ¹⁾	193.0	128.4	20848-601	20838-273
4	42	213.0	198.1	101.6	86.4	172.9	20848-605	20838-277
4	63	319.7	304.8	157.5	137.2	172.9	20848-606	20838-278
4	84	426.4	411.5	208.3 ¹⁾	193.0	172.9	20848-607	20838-279
6	28	141.9	127.0	-	-	261.8	20848-696	-
6	42	213.0	198.1	101.6	86.4	261.8	20848-602	20838-274
6	63	319.7	304.8	157.5	137.2	261.8	20848-603	20838-275
6	84	426.4	411.5	208.3 ¹⁾	193.0	261.8	20848-604	20838-276

1) Dimension with unshielded front panel

Modules – Front panels

FRONT PANEL, HINGED, SHIELDED



- Suitable for subracks (europacPRO) and cases (ratiopacPRO, propacPRO, compacPRO)
- Mounts on horizontal rails
- Front panel with textile EMC gasket
- Hinges can be fitted on left or right

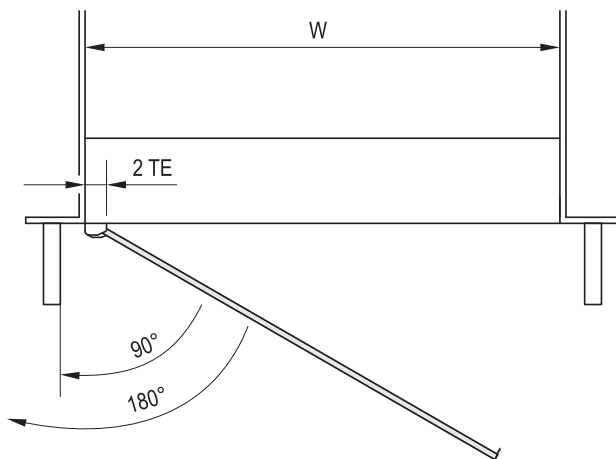
DELIVERY COMPRISES (kit)

Item	Qty	Description
1	1	Front panel, hinged, Al, 2.5 mm, front anodised, rear iridescent green chromated
2	2	Hinge, Zn die-cast, chrome-plated
3	1	Textile EMC gasket, core: foam, sleeve: textile cladding with CuNi coating
4	1	Assembly kit

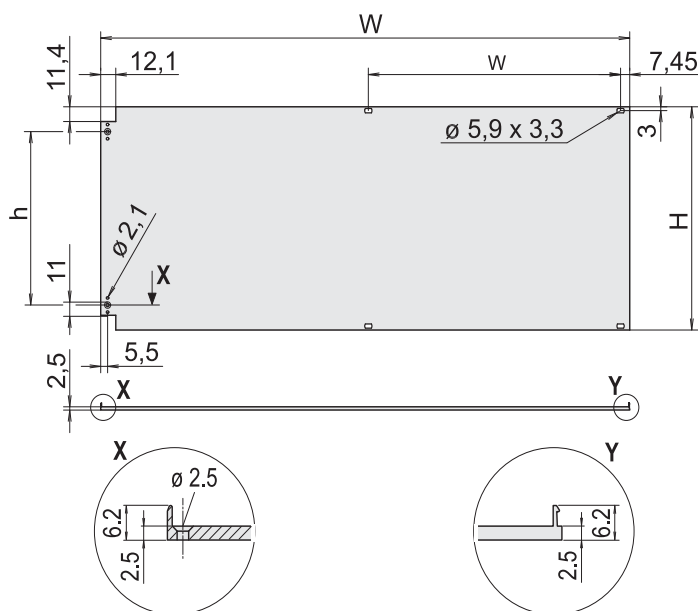
04295002

ORDER INFORMATION

Height U	H mm	h mm	W mm	w mm	Part no.
3	128.4	89.9	426.4	203.2	20848-611
6	261.8	223.2	426.4	203.2	20848-617



06106053



04602081