

# Desk-top cases – RatiopacPro

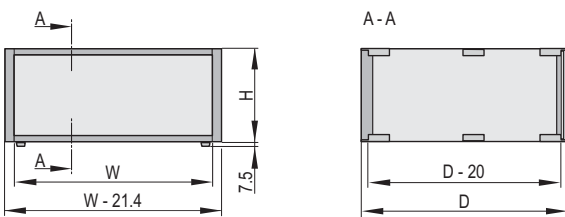
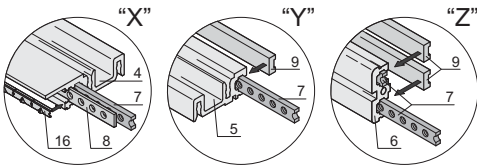
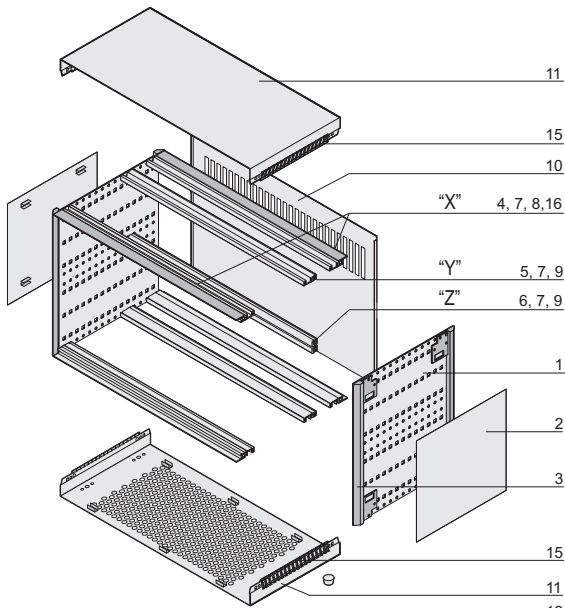
## RATIOPACPRO COMPLETE CASES



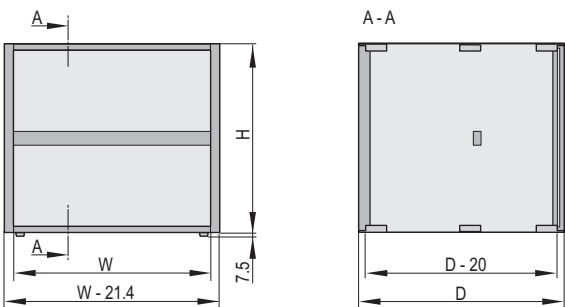
- Desk-top enclosure with pre-configured components, in accordance to IEC 60297-3-101; prepared for 19" components, e.g. plug-in units and euroboards
- Ventilation slit in base plate
- Rear panel perforated

### DELIVERY COMPRISES (in kit form)

Item	Qty without EMC	Qty with EMC	Description
1	2	2	Side panel, Al, 2 mm, passivated
2	2	2	Side plate, Al, 1 mm, visible surfaces RAL 9006
3	4	4	Cover strip, Al die-cast, RAL 7016, pre-fitted only on EMC version
4	4	4	Horizontal rail, type H-LD, Al, visible surfaces RAL 7016
5	2	2	Horizontal rail, centre (top/bottom), type H-ST, Al
6	1	1	Horizontal rail, centre (on 6 U only), type ST, Al
7	6/8	6/8	3 U/6 U: threaded inserts, St, pre-mounted, for indirect backplane mounting with insulation strips
8	-	4	Perforated strip, Al, 1 mm, pre-fitted
9	4	4	Insulation strip, PBT, UL 94 V-0
10	1	1	Rear panel, perforated, Al, 2.5 mm
11	2	2	Top cover and base plate, Al, 1 mm, internal surfaces conductive, visible surfaces RAL 9006, with GND/earthing connection, base plate with honeycomb grid ventilation
12	4	4	Case foot with anti-slip protection, UL 94 V-0, PC black
14	-	1	EMC support profile for side panel, pre-mounted (kit)
15	-	4	EMC contact strip for cover plate, pre-mounted (kit)
16	-	4	EMC contact strip front panel - horizontal rails
17	1	1	GND/earthing kit, assembly kit



3 U



6 U

### ORDER INFORMATION

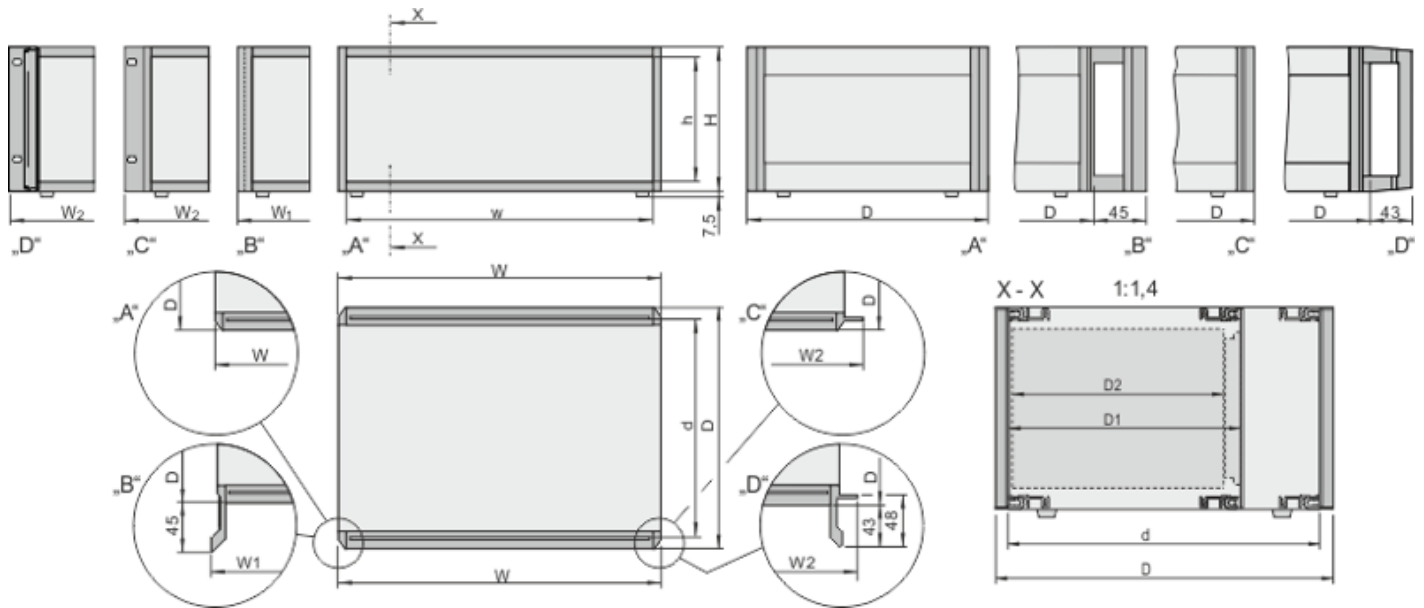
Height H U	Width W HP	Depth D mm	Unshielded Part no.	EMC shielded Part no.
3	28	255.5	24572-001	24572-050
3	42	255.5	24572-002	24572-051
3	42	315.5	24572-003	24572-052
3	63	315.5	24572-004	24572-053
3	84	315.5	24572-005	24572-054
3	84	375.5	24572-006	24572-055
3	84	435.5	24572-007	24572-056
6	42	315.5	24572-015	24572-064
6	63	315.5	24572-016	24572-065
6	84	315.5	24572-017	24572-066
6	84	375.5	24572-018	24572-067
6	84	435.5	24572-019	24572-068

### NOTE

- Dimension drawings and mounting depths see page 5.9
- Components see page 5.18
- Front handles and 19" mounting brackets from page 5.24
- Guide rails from page 5.40

# Desk-top cases – RatiopacPro

## DIMENSION DRAWINGS RATIOPACPRO



RatiopacPRO with A - bezel; B - front handle; C - 19" mounting bracket; D - 19" mounting bracket with front handle

rppr6637

Dimensions table RatiopacPRO

in U	Height		Width				
	H in mm	h in mm	w in HP	W in mm	w1 in mm	w2 in mm	w in mm
2	88.10	67.90	28	164.42	177.62	198.12	142.82
			42	235.54	248.74	269.24	213.94
			63	342.42	355.42	375.92	320.62
			84	448.90	462.10	482.60	427.30
3	132.55	112.35	28	164.42	177.62	198.12	142.82
			42	235.54	248.74	269.24	213.94
			63	342.42	355.42	375.92	320.62
			84	448.90	462.10	482.60	427.30
4	177.00	156.80	28	164.42	177.62	198.12	142.82
			42	235.54	248.74	269.24	213.94
			63	342.42	355.42	375.92	320.62
			84	448.90	462.10	482.60	427.30
5	221.45	201.25	28	164.42	177.62	198.12	142.82
			42	235.54	248.74	269.24	213.94
			63	342.42	355.42	375.92	320.62
			84	448.90	462.10	482.60	427.30
6	265.90	245.70	28	164.42	177.62	198.12	142.82
			42	235.54	248.74	269.24	213.94
			63	342.42	355.42	375.92	320.62
			84	448.90	462.10	482.60	427.30

Components mountable in 15 mm depth grid

Depth			
D	d	D1	d2
Total depth in mm	Useable depth in mm	Plug-in depth in mm	Board depth in mm
255.5	235.5	175.5	160
		235.5	220
315.5	295.5	175.5	160
		235.5	220
		295.5	280
375.5	355.5	175.5	160
		235.5	220
		295.5	280
		355.5	340
435.5	415.5	175.5	160
		235.5	220
		295.5	280
		355.5	340
495.5	475.5	175.5	160
		235.5	220
		295.5	280
		355.5	340