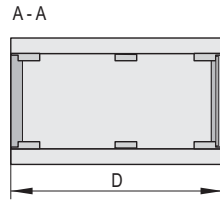
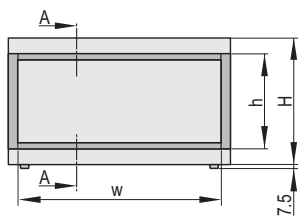
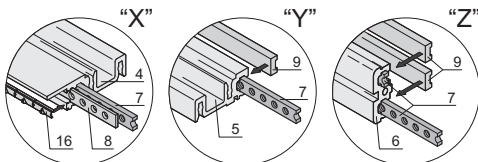
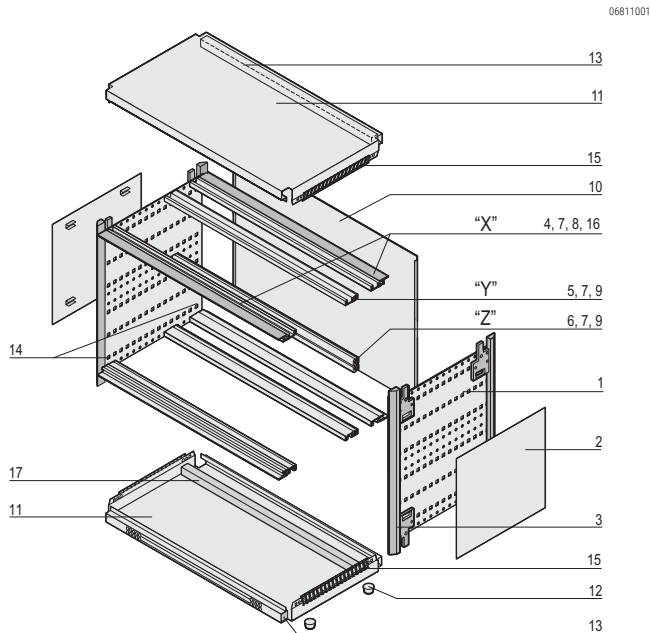
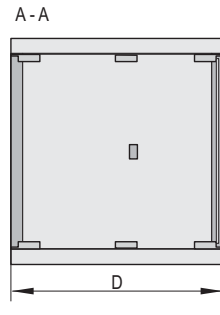
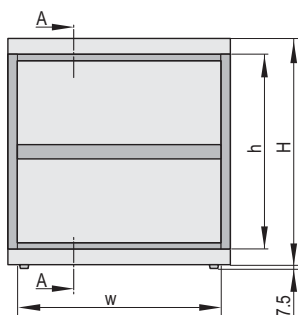


Desk-top cases – RatiopacProair

RATIOPACPRO AIR COMPLETE CASES



3 U



6 U

- The case has 2 x 1/2 U clearance for ventilation
- Case with cover strip; with pre-mounted components for euroboards and backplane with insulation strip; no visible screws
- Symmetrical design, identical front and rear honeycomb grid ventilation in top cover and base plate
- Available in two versions:
 - unshielded (EMC shielding retrofittable)
 - with EMC shielding fitted

DELIVERY COMPRISES (in kit form)

Item	Qty without EMC	Qty with EMC	Description
1	2	2	Side panel, Al, 2 mm, passivated
2	2	2	Side plate, Al, 1 mm, visible surface RAL 9006
3	4	4	Cover, die-cast zinc, RAL 7016, pre-mounted on EMC version only
4	4	4	Horizontal rail, type H-LD, Al, visible surface RAL 7016
5	2	2	Horizontal rail, centre (top/bottom), type H-ST, Al
6	1	1	Horizontal rail, centre (on 6 U only), type ST, Al
7	6/8	6/8	4 U/7 U: threaded inserts, St, pre-mounted, for indirect backplane mounting with insulation strips
8	-	4	Perforated strip, pre-mounted
9	4	4	Insulation strip, PBT, UL 94 V-0
10	1	1	Rear panel, Al, 2.5 mm
11	2	2	Top cover and base plate with honeycomb grid ventilation, Al, 1 mm, internal surface conductive, visible surface RAL 9006, with GND/earthing connection
12	4	4	Case foot with anti-slip protection, UL 94 V-0, PC, black
13	2	2	Air filter
14	-	1	EMC support profile for side panel, fitted (kit)
15	-	4	EMC contact strip for cover plate, pre-mounted (kit)
16	-	4	EMC contact strip front panel - horizontal rails
17	1	1	Compartment seal, PE foam, self-adhesive, temperature range -20 °C ... +85 °C
18	1	1	GND/earthing kit, assembly kit

ORDER INFORMATION

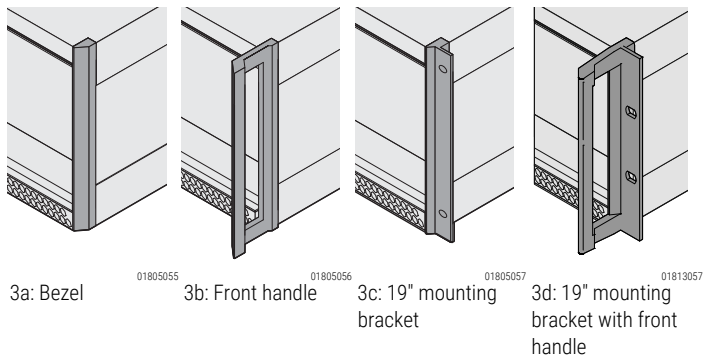
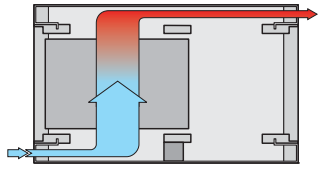
Case height H	PCB height h	Width w	Depth D	Unshielded Part no.	EMC shielded Part no.
4 U	3	28 HP	255.5 mm	24572-025	24572-074
4 U	3	42 HP	255.5 mm	24572-026	24572-075
4 U	3	42 HP	315.5 mm	24572-027	24572-076
4 U	3	63 HP	315.5 mm	24572-028	24572-077
4 U	3	84 HP	315.5 mm	24572-029	24572-078
4 U	3	84 HP	375.5 mm	24572-030	24572-079
4 U	3	84 HP	435.5 mm	24572-031	24572-080
7 U	6	42 HP	315.5 mm	24572-040	24572-088
7 U	6	63 HP	315.5 mm	24572-041	24572-089
7 U	6	84 HP	315.5 mm	24572-042	24572-090
7 U	6	84 HP	375.5 mm	24572-043	24572-091
7 U	6	84 HP	435.5 mm	24572-044	24572-092

NOTE

- Dimension drawings and mounting depths see page 5.16
- Components see page 5.18
- Front handles and 19" mounting brackets from page 5.24
- Guide rails from page 5.40

Desk-top cases – RatiopacProair

RATIOPACPRO AIR CASE



- The case has 2 x 1/2 U clearances for ventilation beneath and above the board cage
- Cases for individual assembly with 19" standard components or specific internal mounting, e.g. with mounting plate
- Unshielded (EMC shielding retrofittable)
- Symmetrical design, identical front and rear side
- For board depth 160 mm, 220 mm, 280 mm, and 340 mm (depending on case depth)
- Online download of 3D CAD data
- Four versions:
 - Bezels
 - Front handles
 - 19" mounting brackets
 - With 19" mounting brackets and front handles

DELIVERY COMPRISES (in kit form)

Item	Qty	Description
1	2	Side panel, Al, 2 mm, chromated
2	2	Side plate, Al, 1 mm, visible surfaces powder-coated, RAL 9006
3	2	Rear trim, Al die-cast, powder-coated, RAL 7016
3a	2	Bezel, Al die-cast, powder-coated, RAL 7016
3b	2	Front handle, Al die-cast, powder-coated, RAL 7016
3c	2	19" mounting angle, Al die-cast, powder-coated, RAL 7016
3d	2	19" mounting bracket with front handle, Al diecast, powder-coated, RAL 7016
4	4	Horizontal rail, type H-LD, Al, visible surfaces powder-coated, RAL 7016
11	2	1 Top cover and base plate, Al, 1 mm, internal surfaces conductive, visible surfaces powder-coated, RAL 9006, with GND/earthing connection, top cover and base plate with ventilation comb
12	4	Case foot with anti-slip protection, UL 94 V-0, PC black
13	2	Air filters
14	1	Fixing materials kit

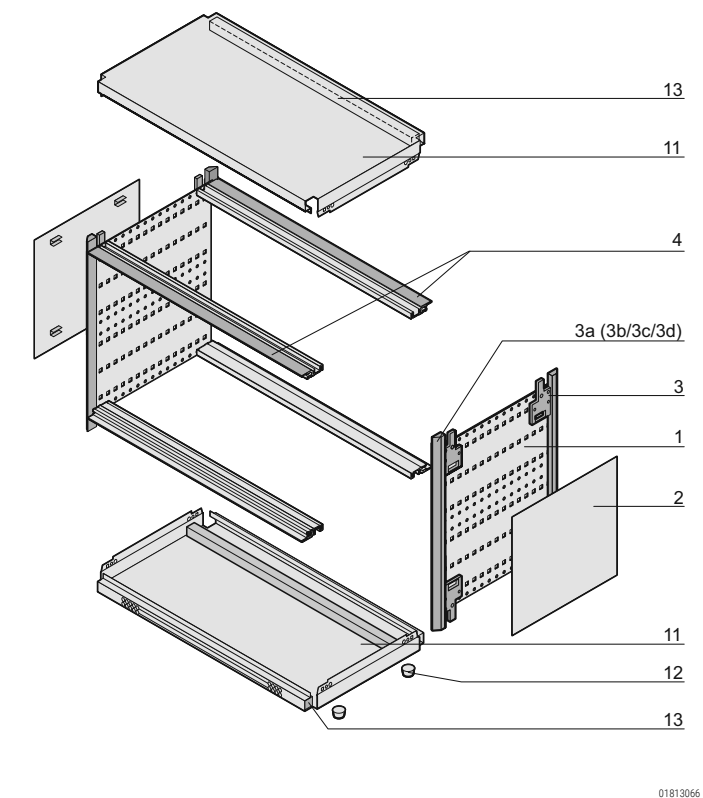
3a, 3b, 3c or 3d according to selection

NOTE

- Order information see following page

ORDER INFORMATION


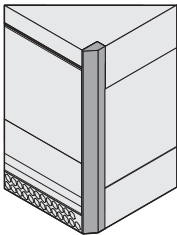
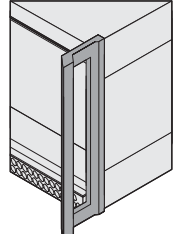
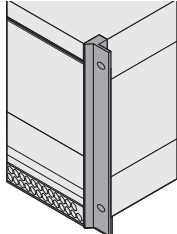
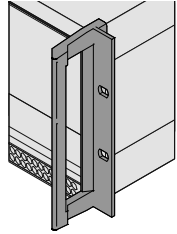
Earthing kit CU wire, 1.5 mm ² , PVC sleeve, green/yellow, 1 kit	24571-380
Al diecast foot with tip-up silver, 1 piece (SPQ 10)	10603-002
Plastic tip-up foot silver, similar to RAL 9006, PU 4 pieces	20603-001
Plastic tip-up foot anthracite, similar to RAL 7016, 4 pieces	20603-002
Stacking aid silver, similar to RAL 9006, PA, UL 94 V-0, PU 4 pieces	20603-004
Stacking aid anthracite, similar to RAL 7016, PA, UL 94 V-0, PU 4 pieces	20603-003



Drawing with front cover strip

Desk-top cases – RatiopacProair

RATIOPACPRO AIR CASE

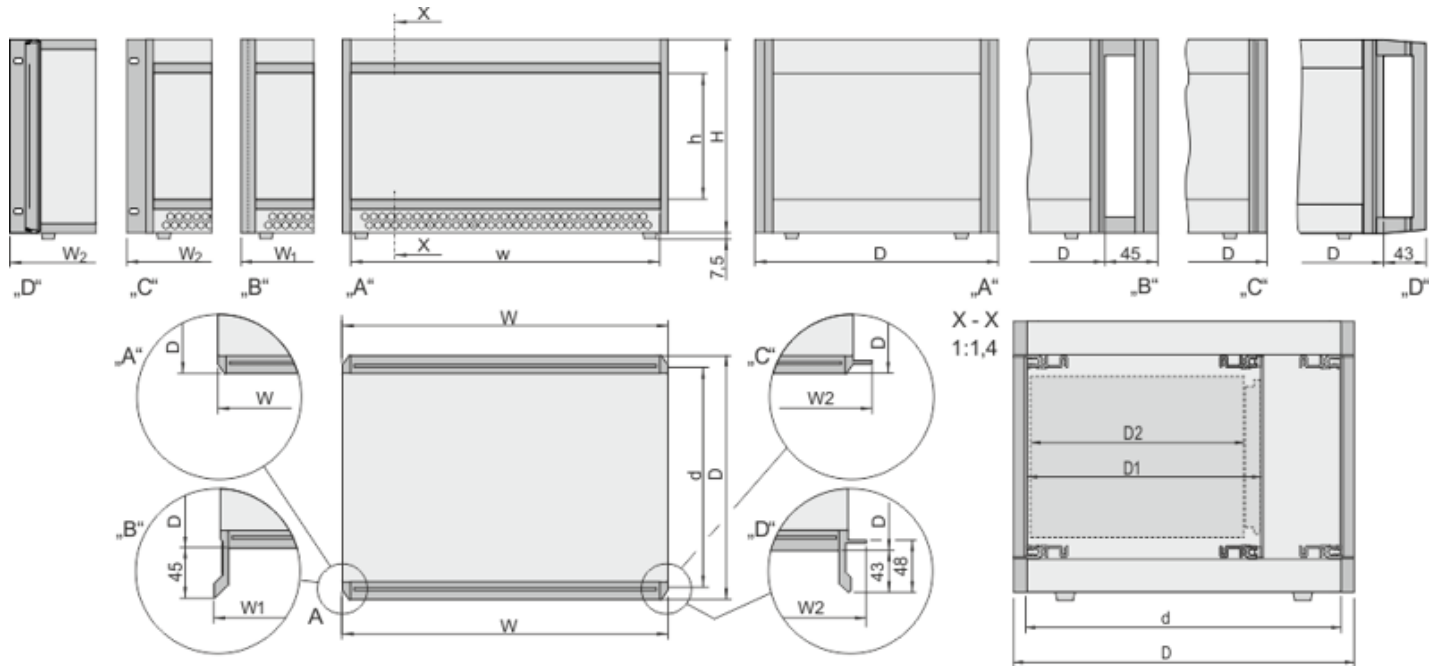
	Width W	Depth D	Case height H			
			4 U	5 U	7 U	
			PCB height h			
						
	HP	mm	Part no.	Part no.	Part no.	
Bezels 	28	255.5	24571-146	24571-194	24571-242	
	28	315.5	24571-149	24571-197	24571-245	
	42	255.5	24571-158	24571-206	24571-254	
	42	315.5	24571-161	24571-209	24571-257	
	42	375.5	24571-162	24571-210	24571-258	
	63	255.5	24571-170	24571-218	24571-266	
	63	315.5	24571-173	24571-221	24571-269	
	63	375.5	24571-174	24571-222	24571-270	
	63	435.5	24571-175	24571-223	24571-271	
	84	255.5	24571-182	24571-230	24571-278	
	84	315.5	24571-185	24571-233	24571-281	
	84	375.5	24571-186	24571-234	24571-282	
	84	435.5	24571-187	24571-235	24571-283	
	84	495.5	24571-188	24571-236	24571-284	
	01805055					
	Front handles 	28	255.5	24571-846	24571-894	24571-942
28		315.5	24571-849	24571-897	24571-945	
42		255.5	24571-858	24571-906	24571-954	
42		315.5	24571-861	24571-909	24571-957	
42		375.5	24571-862	24571-910	24571-958	
42		435.5	24571-863	24571-911	24571-959	
63		315.5	24571-873	24571-921	24571-969	
63		375.5	24571-874	24571-922	24571-970	
63		435.5	24571-875	24571-923	24571-971	
84		255.5	24571-882	24571-930	24571-978	
84		315.5	24571-885	24571-933	24571-981	
84		375.5	24571-886	24571-934	24571-982	
84		435.5	24571-887	24571-935	24571-983	
84		495.5	24571-888	24571-936	24571-984	
01805056						
19" mounting brackets 		84	255.5	24571-582	24571-630	24571-678
	84	315.5	24571-585	24571-633	24571-681	
	84	375.5	24571-586	24571-634	24571-682	
	84	435.5	24571-587	24571-635	24571-683	
	84	495.5	24571-588	24571-636	24571-684	
	01805057					
With 19" mounting brackets and front handles 	84	255.5	24572-670	–	24572-690	
	84	315.5	24572-673	–	24572-693	
	84	375.5	24572-674	–	24572-694	
	84	435.5	24572-675	–	24572-695	
	84	495.5	24572-676	–	24572-696	
01805057						

NOTE

- Dimension drawings and mounting depths see page 5.16
- Components see page 5.18

Desk-top cases – RatiopacProair

RATIOPACPRO AIR DIMENSION DRAWINGS



01805058

RatiopacPRO air with A - bezel; B - front handle; C - 19" mounting bracket; D - 19" mounting bracket with front handle

Dimensions table RatiopacPRO air							
Height		Width					
in U	H in mm	H in mm	W in HP in mm	W1 in mm	W2 in mm	w in mm	
4	177.00	112.35	28	164.42	177.62	198.12	142.82
			42	235.54	248.74	269.24	213.94
			63	342.42	355.42	375.92	320.62
			84	448.90	462.10	482.60	427.30
5	221.45	156.80	42	235.54	248.74	269.24	213.94
			63	342.42	355.42	375.92	320.62
			84	448.90	462.10	482.60	427.30
7	310.35	245.70	42	235.54	248.74	269.24	213.94
			63	342.42	355.42	375.92	320.62
			84	448.90	462.10	482.60	427.30

Depth			
D	d	D1	d2
Total depth in mm	Usable depth in mm	Plug-in depth in mm	Board depth in mm
255.5	235.5	175	160
		235	220
315.5	295.5	175	160
		235	220
		295	280
375.5	355.5	175	160
		235	220
		295	280
		355	340
435.5	415.5	175	160
		235	220
		295	280
		355	340
495.5	475.5	175	160
		235	220
		295	280
		355	340

Components mountable in 15 mm depth grid