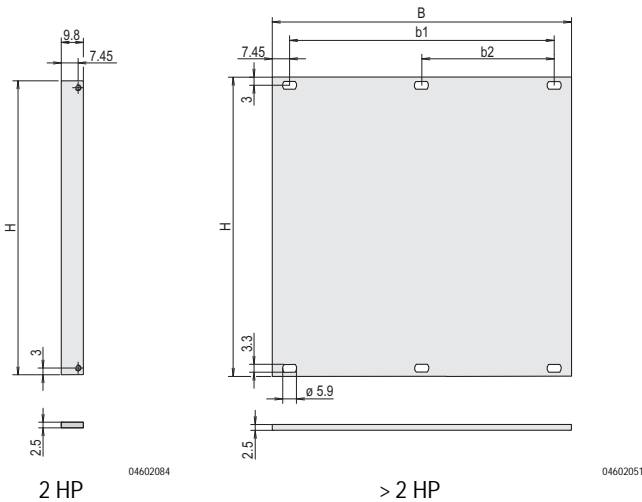


Modules – Front panels

FRONT PANELS, UNSHIELDED



- Front panel, Al, 2.5 mm
- Versions:
 - Al, anodised
 - Al, anodised, cut edges plain
 - Al, front anodised, rear iridescent green chromated

NOTE

- Other sizes and finishes available on request
- Please order fixing material separately, see chapter Assembly parts, page 7.107

ORDER INFORMATION

Height	H	Width	B	b1	b2	Qty	Anodised, cut edges plain	Anodised	Front anodised, rear colorless chromated
U	mm	HP	mm	mm	mm	1)	Part no.	Part no.	Part no.
1	39.5	84	426.4	411.5	203.2	1	–	–	20850-426
2	84.0	84	426.4	411.5	203.2	1	30818-271	30807-416	30847-461
3	128.4	2	9.8	–	–	1 (SPQ 5) ¹⁾	30810-433	30810-432	30847-470
3	128.4	3	14.9	–	–	1 (SPQ 5) ¹⁾	30818-272	30807-508	30847-471
3	128.4	4	20.0	–	–	1 (SPQ 5) ¹⁾	30818-273	30807-481	30838-043
3	128.4	5	25.0	–	–	1 (SPQ 5) ¹⁾	30818-274	30807-510	30838-044
3	128.4	6	30.1	–	–	1 (SPQ 5) ¹⁾	30818-275	30807-482	30838-045
3	128.4	7	35.2	–	–	1 (SPQ 5) ¹⁾	30818-276	30807-509	30838-046
3	128.4	8	40.3	25.4 ²⁾	–	1 (SPQ 5) ¹⁾	30818-277	30807-484	30838-047
3	128.4	10	50.5	35.6	–	1 (SPQ 5) ¹⁾	30818-279	30807-483	30838-049
3	128.4	12	60.6	45.7	–	1 (SPQ 5) ¹⁾	30818-281	30807-485	30838-051
3	128.4	14	70.8	55.9	–	1 (SPQ 5) ¹⁾	30818-282	30807-501	30838-053
3	128.4	21	106.3	91.4	–	1 (SPQ 5) ¹⁾	30818-289	30807-487	30838-060
3	128.4	28	141.9	127.0	–	1 (SPQ 5) ¹⁾	30818-296	30807-496	30838-067
3	128.4	42	213.0	198.1	101.6 ²⁾	1	30818-310	30807-494	30838-081
3	128.4	63	319.7	304.8	157.5	1	30818-331	30808-067	30838-102
3	128.4	84	426.4	411.5	203.2	1	30818-352	30807-506	30838-123
4	172.9	84	426.4	411.5	203.2	1	30818-434	30807-596	30847-465
6	261.8	2	9.8	–	–	1 (SPQ 5) ¹⁾	30818-747	30818-741	30847-472
6	261.8	4	20.0	–	–	1 (SPQ 5) ¹⁾	30818-518	30807-778	30838-124
6	261.8	5	25.0	–	–	1 (SPQ 5) ¹⁾	30818-519	30807-777	30838-125
6	261.8	6	30.1	–	–	1 (SPQ 5) ¹⁾	30818-520	30807-752	30838-126
6	261.8	7	35.2	–	–	1 (SPQ 5) ¹⁾	30818-521	–	30838-127
6	261.8	8	40.3	25.4 ²⁾	–	1 (SPQ 5) ¹⁾	30818-522	30807-779	30838-128
6	261.8	10	50.5	35.6	–	1 (SPQ 5) ¹⁾	30818-524	30807-753	30838-130
6	261.8	12	60.6	45.7	–	1 (SPQ 5) ¹⁾	30818-526	30807-755	30838-132
6	261.8	14	70.8	55.9	–	1 (SPQ 5) ¹⁾	30818-528	30807-758	30838-134
6	261.8	16	80.9	66.0	–	1 (SPQ 5) ¹⁾	30818-530	30807-780	30838-136
6	261.8	21	106.3	91.4	–	1 (SPQ 5) ¹⁾	30818-535	30807-757	30838-141
6	261.8	28	141.9	127.0	–	1 (SPQ 5) ¹⁾	30818-542	30807-766	30838-148
6	261.8	42	213.0	198.1	101.6 ²⁾	1	30818-556	30807-764	30838-162
6	261.8	63	319.7	304.8	157.5	1	30818-577	30807-771	30838-183
6	261.8	84	426.4	411.5	203.2	1	30818-598	30807-776	30838-204
9	395.1	84	426.4	411.5	203.2	1	–	–	30847-556

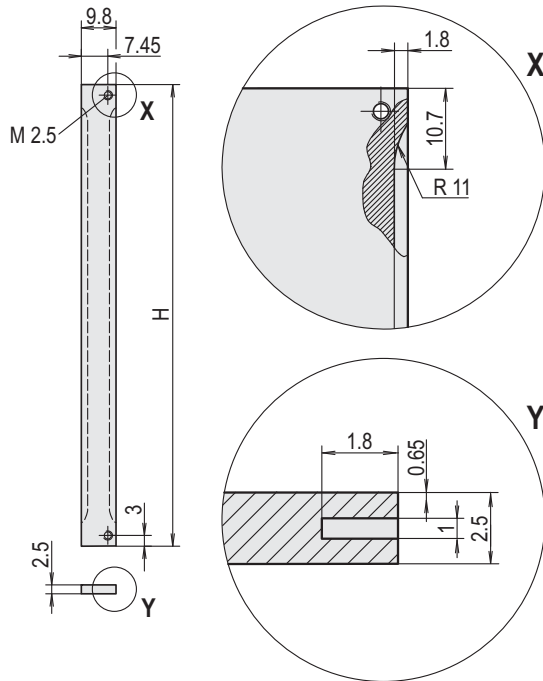
1) SPQ (standard pack quantity): Part number includes 1 piece, but delivery is exclusively made in standard pack quantity (SPQ); please order at least the SPQ quantity or a multiple

2) This dimension is only available for "front anodised, rear iridescent green chromated" version

- Please order fixing material (sleeves, collar screws) separately, see page 7.107

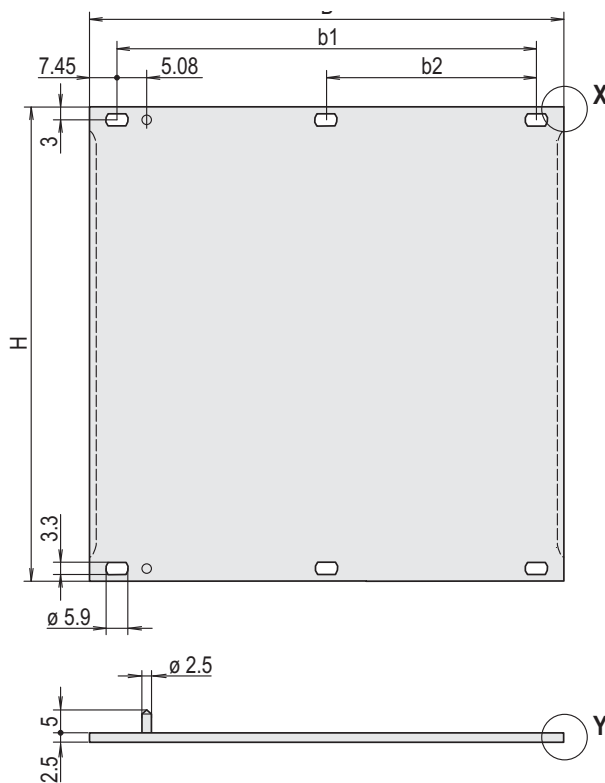
Modules – Front panels

FRONT PANELS, SHIELDABLE



2 HP

04602052



> 2 HP

04608154

- Front panel, Al, 2.5 mm, front anodised, rear iridescent green chromated, 2 alignment pins pressed-in, stainless steel
- Shielding with stainless steel EMC gasket

ORDER INFORMATION

Height H U	mm	Width HP	B mm	b1 mm	b2 mm	Align- ment pin	Qty	Part no.
2	84	84	426.4	411.5	203.2	–	1	30846-588
3	128.4	2	9.8	–	–	–	1 (SPQ 5) ¹⁾	30846-864
3	128.4	3	14.9	–	–	x	1 (SPQ 5) ¹⁾	20846-425
3	128.4	4	20	–	–	x	1 (SPQ 5) ¹⁾	20846-426
3	128.4	5	25	–	–	x	1 (SPQ 5) ¹⁾	20846-427
3	128.4	6	30.1	–	–	x	1 (SPQ 5) ¹⁾	20846-428
3	128.4	7	35.2	–	–	x	1 (SPQ 5) ¹⁾	20846-429
3	128.4	8	40.3	25.4	–	x	1 (SPQ 5) ¹⁾	20846-430
3	128.4	10	50.5	35.6	–	x	1 (SPQ 5) ¹⁾	20846-431
3	128.4	12	60.6	45.7	–	x	1 (SPQ 5) ¹⁾	20846-432
3	128.4	14	70.8	55.9	–	x	1 (SPQ 5) ¹⁾	20846-433
3	128.4	21	106.3	91.4	–	x	1 (SPQ 5) ¹⁾	20846-434
3	128.4	28	141.9	127	–	x	1 (SPQ 5) ¹⁾	20846-436
3	128.4	42	213	198.1	101.6	x	1	20846-437
3	128.4	63	319.7	304.8	157.5	x	1	20846-438
3	128.4	84	426.4	411.5	203.2	–	1	30846-676
4	172.9	84	426.4	411.5	203.2	–	1	30846-683
6	261.8	2	9.8	–	–	–	1 (SPQ 5) ¹⁾	30846-865
6	261.8	4	20	–	–	x	1 (SPQ 5) ¹⁾	20846-443
6	261.8	5	25	–	–	x	1 (SPQ 5) ¹⁾	20846-444
6	261.8	6	30.1	–	–	x	1 (SPQ 5) ¹⁾	20846-445
6	261.8	7	35.2	–	–	x	1 (SPQ 5) ¹⁾	20846-446
6	261.8	8	40.3	25.4	–	x	1 (SPQ 5) ¹⁾	20846-447
6	261.8	10	50.5	35.6	–	x	1 (SPQ 5) ¹⁾	20846-448
6	261.8	12	60.6	45.7	–	x	1 (SPQ 5) ¹⁾	20846-449
6	261.8	14	70.8	55.9	–	x	1 (SPQ 5) ¹⁾	20846-450
6	261.8	16	80.9	66	–	x	1 (SPQ 5) ¹⁾	20846-456
6	261.8	21	106.3	91.4	–	x	1 (SPQ 5) ¹⁾	20846-451
6	261.8	28	141.9	127	–	x	1 (SPQ 5) ¹⁾	20846-452
6	261.8	42	213	198.1	101.6	x	1	20846-453
6	261.8	63	319.7	304.8	157.5	x	1	20846-454
6	261.8	84	426.4	411.5	203.2	–	1	30846-771
9	395.1	84	426.4	411.5	203.2	–	1	30846-859

Delivery is exclusively made in Standard Pack Quantity (SPQ): Please order at least 5 pieces or a multiple.

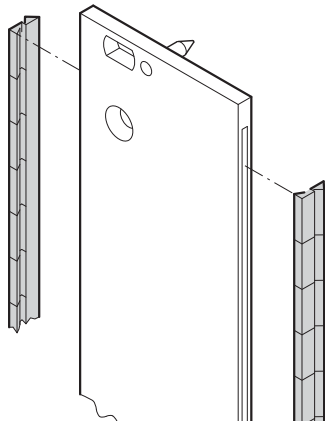
Pricing is per individual item.

NOTE

- Please order fixing material (sleeves, collar screws) separately, see page 7.107
- Please order stainless steel EMC gasket separately, see page 7.6

Modules – Front panels

STAINLESS STEEL EMC GASKET



- The stainless steel EMC gaskets are inserted into the lateral slots of the shieldable front panels (2 pieces per front panel)

DELIVERY COMPRISES

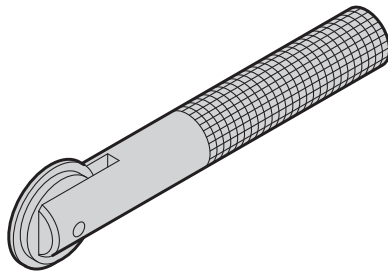
Item	Qty	Description
1	10/100	EMC gasket (stainless steel)

ORDER INFORMATION

Height U	Height mm	Qty/PU	Part no.
2	52	10	21101-775
3	97	10	21101-705
3	97	100	21101-706
4	142	10	21101-713
4	142	100	21101-714
5	187	10	21101-777
5	187	100	21101-778
6	232	10	21101-707
6	232	100	21101-708
9	367	10	21101-709
9	367	100	21101-710
Assembly tool for EMC gasket (stainless steel), 1 piece			24560-270

bga45760

Montagewerkzeug

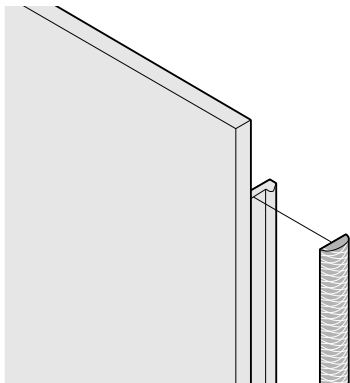


aza45937

NOTE

- Please order assembly tool separately

TEXTILE EMC GASKET



- Textile EMC gasket is glued laterally on the front panel, in the groove of the right-hand profile
- 2 temperature ranges
 - Temperature range -40... +70 °C
 - Temperature range -40... +85 °C

DELIVERY INCLUDES

Item	Qty	Description
1	see Order Information	EMC textile gasket, core: TPE foam (-40... +70 °C), Core: silicon with hollow chamber (-40... +85 °C), sleeve: textile cladding with CuNi coating

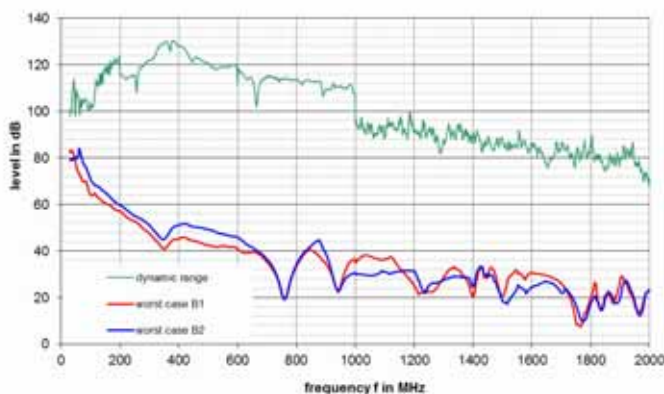
04602054

ORDER INFORMATION

Height U	Height mm	Qty/PU piece	Part no. Temperature range -40... +70 °C	Part no. Temperature range -40... +85 °C
2	52	10	21101-857	21102-857
3	97	10	21101-853	21102-853
3	97	100	21101-854	21102-854
4	142	10	21101-858	21102-858
5	187	10	21101-978	21102-978
6	232	10	21101-855	21102-855
6	232	100	21101-856	21102-856
9	365	10	21101-859	21102-859
9	365	100	21101-904	–

EMC characteristic (typical, green)

B1 (red): -40 ... -70 °C, B2 (blue): -40 ... -85 °C



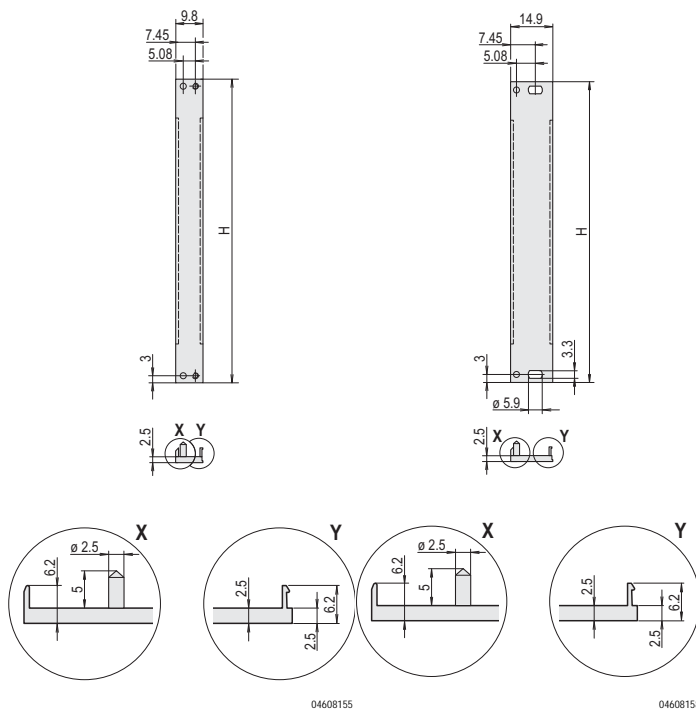
04614052

Modules – Front panels

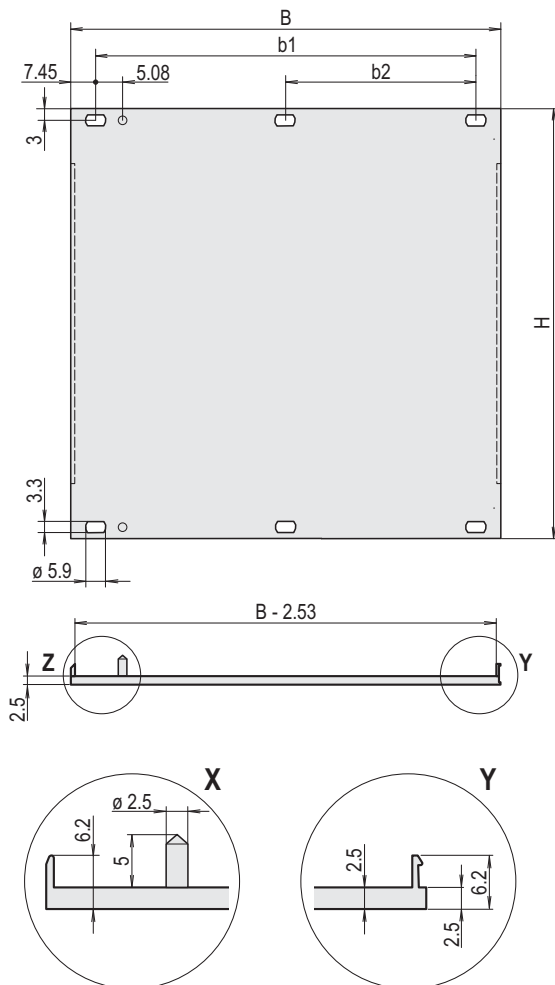
FRONT PANELS, U PROFILE, SHIELDABLE

2 HP

3 U



> 3 HP



- High stability through U profile
- Front panel, U profile, Al, front anodised, rear conductive, 2 alignment pins pressed-in, stainless steel
- Differences in the finish between 2 ... 12 HP and 14 ... 84 HP

ORDER INFORMATION

Height H	Width	B	b1	b2	Align-ment pin	Qty	Part no.	
U	mm	HP	mm	mm	mm			
2	84	84	426.4	411.5	203.2	–	1 (SPQ 5)1	20848-262
3	128.4	2	9.8	–	–	x	1 (SPQ 5)1	30849-001
3	128.4	3	14.9	–	–	x	1 (SPQ 5)1	30849-004
3	128.4	4	20	–	–	x	1 (SPQ 5)1	30848-354
3	128.4	5	25	–	–	x	1 (SPQ 5)1	30848-378
3	128.4	6	30.1	–	–	x	1 (SPQ 5)1	30848-380
3	128.4	7	35.2	–	–	x	1 (SPQ 5)1	30848-382
3	128.4	8	40.3	25.4	–	x	1 (SPQ 5)1	30848-356
3	128.4	10	50.5	35.6	–	x	1 (SPQ 5)1	30848-386
3	128.4	12	60.6	45.7	–	x	1 (SPQ 5)1	30848-358
3	128.4	14	70.8	55.9	–	x	1 (SPQ 5)1	20848-013
3	128.4	16	80.9	66	–	x	1 (SPQ 5)1	20848-015
3	128.4	21	106.3	91.4	–	x	1 (SPQ 5)1	20848-020
3	128.4	28	141.9	127	–	x	1 (SPQ 5)1	20848-027
3	128.4	42	213	198.1	101.6	x	1	20848-047
3	128.4	63	319.7	304.8	157.5	x	1	20848-068
3	128.4	84	426.4	411.5	203.2	–	1	20848-097
4	172.9	84	426.4	411.5	203.2	–	1	20848-271
6	261.8	2	9.8	–	–	x	1 (SPQ 5)1	30849-002
6	261.8	4	20	–	–	x	1 (SPQ 5)1	30848-355
6	261.8	5	25	–	–	x	1 (SPQ 5)1	30848-379
6	261.8	6	30.1	–	–	x	1 (SPQ 5)1	30848-381
6	261.8	7	35.2	–	–	x	1 (SPQ 5)1	30848-383
6	261.8	8	40.3	25.4	–	x	1 (SPQ 5)1	30848-357
6	261.8	10	50.5	35.6	–	x	1 (SPQ 5)1	30848-387
6	261.8	12	60.6	45.7	–	x	1 (SPQ 5)1	30848-359
6	261.8	14	70.8	55.9	–	x	1 (SPQ 5)1	20848-106
6	261.8	16	80.9	66	–	x	1 (SPQ 5)1	20848-108
6	261.8	21	106.3	91.4	–	x	1 (SPQ 5)1	20848-113
6	261.8	28	141.9	127	–	x	1 (SPQ 5)1	20848-120
6	261.8	42	213	198.1	101.6	x	1	20848-139
6	261.8	63	319.7	304.8	157.5	x	1	20848-160
6	261.8	84	426.4	411.5	208.3	–	1	20848-189
9	395.1	84	426.4	411.5	203.2	–	1	20848-280

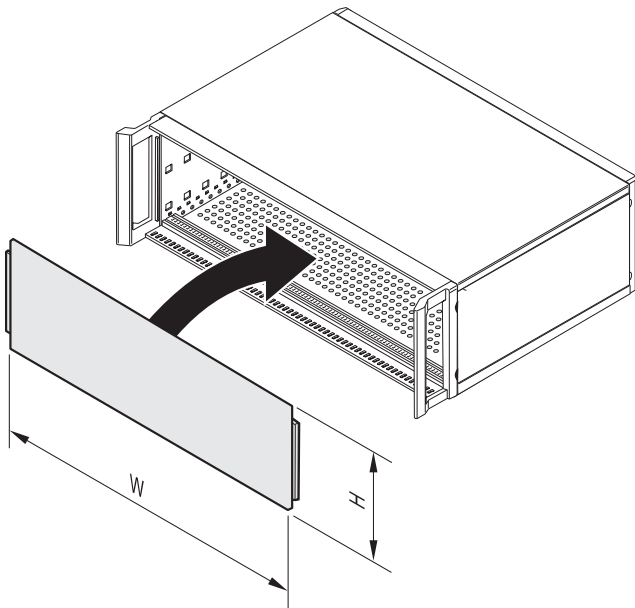
1) Delivery is exclusively made in Standard Pack Quantity (SPQ): Please order at least 5 pieces or a multiple.
Pricing is per individual item.

NOTE

- Differences in finish between 2 ... 12 HP and 14 ... 84 HP
 - 2 ... 12 HP: one-part U-profile
 - 14 ... 84 HP: multi-part U-profile (front panel with crimped profiles)
- Please order fixing material (sleeves, collar screws) separately, see page 7.107
- Please order textile EMC gasket separately, see page 7.6

Desk-top cases – RatiopacPro/ -air

FULL-WIDTH FRONT PANEL, SLOTTED, UNSHIELDED



06801502

- Front panels can also be used as rear panels
- No screws required for fixing
- Inserted between side panel and castings such as trim, 19" mounting bracket or handle

DELIVERY COMPRISES

Item	Qty	Description
1	1	Front panel, Al, 2.5 mm, front: anodised, rear: colour passivated

ORDER INFORMATION

For case height U	Height H mm	For case width HP	Width W mm	Part no.
2, 3-air	84	28	141.9	34571-617
2, 3-air	84	42	213.2	34571-618
2, 3-air	84	63	319.7	34571-619
2, 3-air	84	84	426.4	34571-620
3, 4-air	128.4	28	141.9	34571-605
3, 4-air	128.4	42	213.2	34571-606
3, 4-air	128.4	63	319.7	34571-607
3, 4-air	128.4	84	426.4	34571-608
4, 5-air	172.9	28	141.9	34571-609
4, 5-air	172.9	42	213.2	34571-610
4, 5-air	172.9	63	319.7	34571-611
4, 5-air	172.9	84	426.4	34571-612
5, 6-air	217.3	28	141.9	34571-621
5, 6-air	217.3	42	213.2	34571-622
5, 6-air	217.3	63	319.7	34571-623
5, 6-air	217.3	84	426.4	34571-624
6, 7-air	261.8	28	141.9	34571-613
6, 7-air	261.8	42	213.2	34571-614
6, 7-air	261.8	63	319.7	34571-615
6, 7-air	261.8	84	426.4	34571-616

NOTE

- Screw-fixed front panels see chapter Front panels, page 7.4